

PCB terminal

rising cage clamp system

Pitch 7.5 mm 4 mm²

Type 8375

Conductor horizontal in relation to the PCB

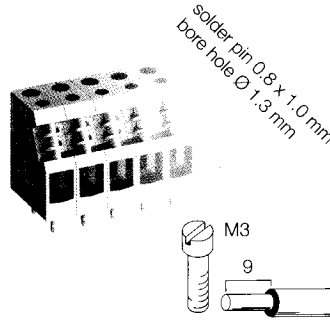
UL data field-/factory wiring
CSA data

No. 22/30 - 10 AWG 300 V 30 A/35 A
No. 22 - 12 AWG 300 V Gr. B 20 A

Approvals



Nominal conductor size: 4 mm²
Connection range:
0.14 - 6 mm² single-core/
0.14 - 4 mm² finely stranded
Rated voltages, see below
Rated current: 30 A



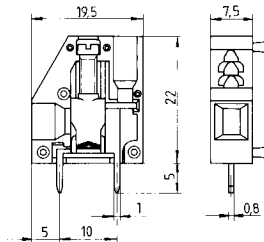
Type Part No. B. qty.

Pitch 7.5 mm

Individual poles, modular 1 pole
Further number of poles on request

8375 25.700.0153.0 100

Part numbers which appear in bold are preferred items



Accessories

Pitch intermediate plate
(extends pitch from 7.5 to 10 mm)

Test plug, red

Marking strips,

1 - 10, 11 - 20 etc. 991 - 999

Marking branch,

Individual marker

unmarked
¹⁾ marked
text 1, 2, 3 ... 0
unmarked
¹⁾ marked

ST 2/2,3 **07.300.2753.0**
25.553.2921.0
9705 A/7,5/10 **04.242.7553.0**
9705 A/7,5/10 B **04.842.7553.0**
9704 A/1-0 B **04.841.2150.0**
9705 A **04.242.0850.0**
9705 AB **04.842.0850.0**

¹⁾ marked on request

Rated voltages:

Pitch 7.5 mm

VDE 0110/01.89

500 V/6 kV/3 - overvoltage category III

*1000 V/6 kV/2 - overvoltage category II

**1000 V/6 kV/1 - overvoltage category I

Rated voltages:

Pitch 10 mm

VDE 0110/01.89

690 V/8 kV/3 - overvoltage category III

***1000 V/8 kV/2 - overvoltage category II

****1000 V/8 kV/1 - overvoltage category I

Materials

Insulating part: PA 6.6 grey, UL 94V-0

Clamping part: galvanized steel

Contact socket with solder pin:

tinned E-copper

Clamping screw: galvanized steel

* up to 1250 V if expected overvoltage ≤ 6 kV
** up to 1600 V if expected overvoltage ≤ 6 kV
*** up to 1600 V if expected overvoltage ≤ 8 kV
**** up to 2000 V if expected overvoltage ≤ 8 kV