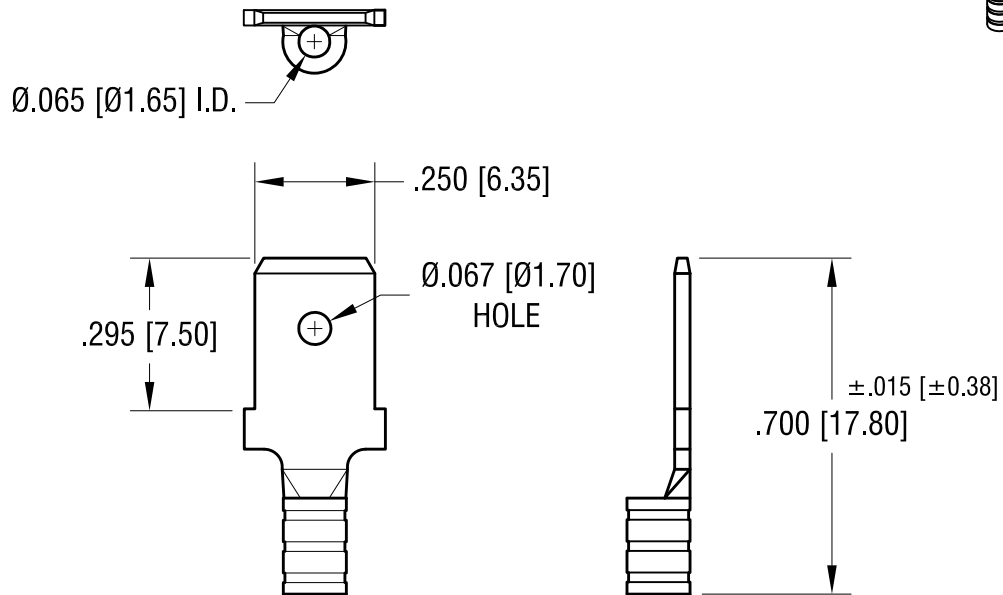


THIS DOCUMENT IS THE PROPERTY OF  
KEYSTONE ELECTRONICS CORP. AND  
SHALL NOT BE REPRODUCED, DISTRIBUTED  
OR USED AS A BASIS FOR MANUFACTURE  
WITHOUT PRIOR WRITTEN PERMISSION  
FROM KEYSTONE ELECTRONICS CORP.

ACTUAL SIZE



**NOTE:**

1. ACCOMMODATES WIRE RANGE 22/18 AWG

11.02.23	CHANGE AS PER ECN 23-212	B
8.16.23	CHANGED AS PER NEW TOOLING CHANGE AS PER ECN 23-139	A
DATE	DESCRIPTION	REV.

<b>KEYSTONE ELECTRONICS CORP.</b>			
www.keyelco.com • NEW HYDE PARK NY 11040 • Tel (516)328-7500			
PART NAME			
QUICK-FIT TERMINAL, MALE			
MATERIAL			
.032 [0.81] TH'K COPPER			
FINISH		DRN BY	DATE
TIN PLATE		BOONE	11.15.07
		APP'D	SCALE
		RH	2.5X
TOLERANCES	INCH [MM]	CODE	DWG NO.
DECIMAL	± .010 [± 0.25 ]	C	8282
ANGULAR	± 1°		
UNLESS OTHERWISE SPECIFIED			