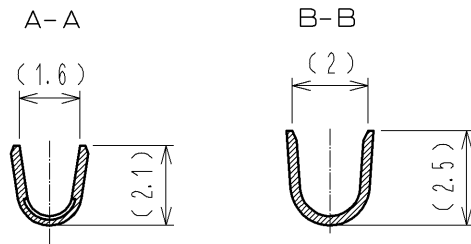
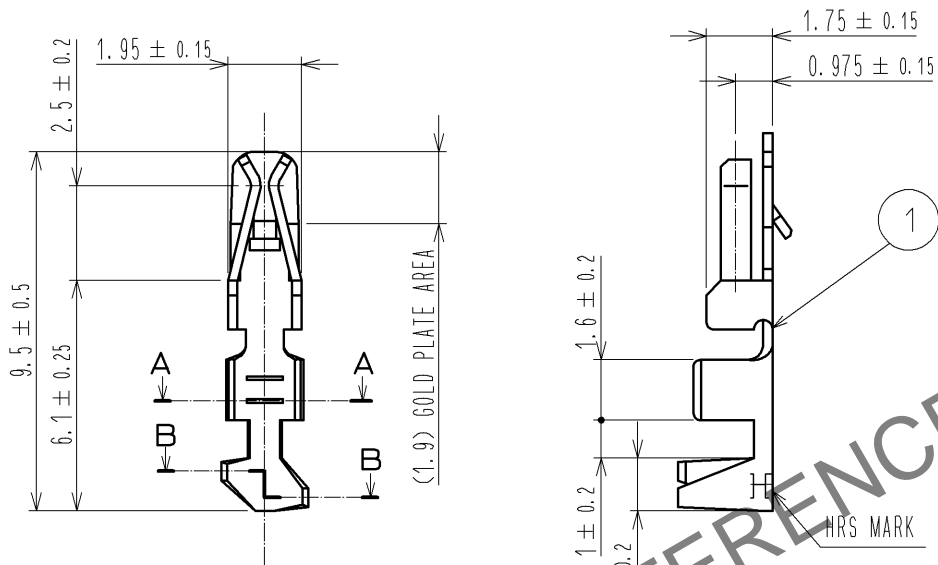


Jul.1.2024 Copyright 2024 HIROSE ELECTRIC CO., LTD. All Rights Reserved.  
 In case of consideration for using Automotive equipment / device which demand high reliability, kindly contact our sales window correspondents.



HRS DRAWING FOR REFERENCE

NOTE 1 APPLICABLE CABLE : AWG20-22

NO.	MATERIAL	FINISH , REMARKS	NO.	MATERIAL	FINISH , REMARKS
			1	PHOSPHOR BRONZE	CONTACT AREA: GOLD PLATING 0.2 $\mu$ m OTHER AREA : NICKEL PLATING 1 $\mu$ m

UNITS mm		SCALE 5 : 1	COUNT 	DESCRIPTION OF REVISIONS	DESIGNED	CHECKED	DATE
HIROSE ELECTRIC CO., LTD.		APPROVED : KI. AKIYAMA	10.12.16	DRAWING NO.	EDC4-021361-01		
		CHECKED : HK. UMEHARA	10.12.16	PART NO.	DF1B-2022SCA		
		DESIGNED : HT. SATO	10.12.16	CODE NO.	CL541-0663-4-00		
		DRAWN : MI. SAKIMURA	10.12.16		1/1		