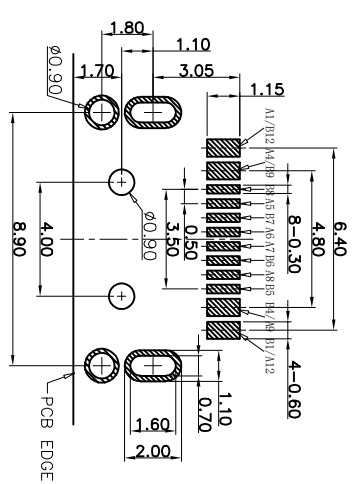
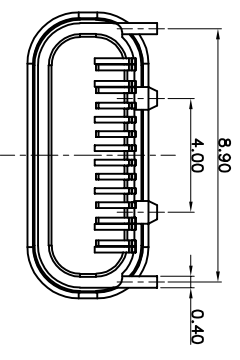
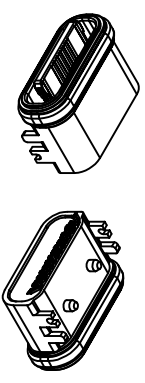
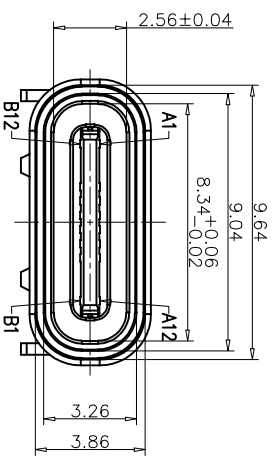
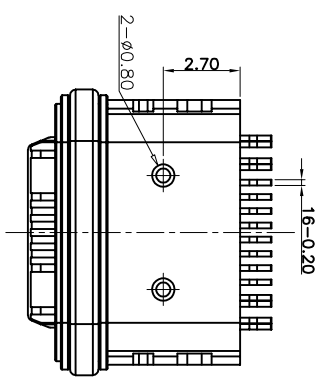
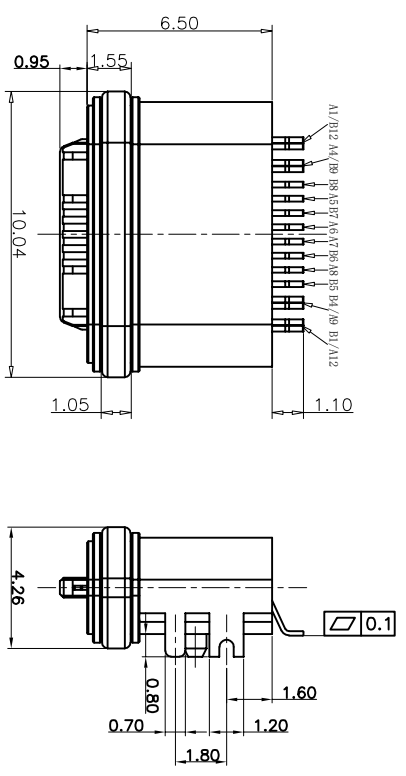




REV.	ECN NO.	DESCRIPTION	DATE	DESIGN



- NOTES:
- SPECIFICATION:
- CURRENT RATING: 3.0 A
 - VOLTAGE RATING: 3.0 V
 - VBUS & GND PINS AND OTHER PINS: 40mΩ/PIN MAX SHIELD; 50mΩ/MAX LCR MAX; CHANGE OF ALL PINS: 100m
 - INSULATION RESISTANCE: 100MΩ MIN
 - DIELECTRIC WITHSTAND VOLTAGE: AC 100V FOR 1MINUTE
 - INSERTION FORCE: 0.5~2.0kgf
 - UNMATING FORCE: 0.8-2.0kgf
 - DURABILITY: 10000 CYCLES
 - OPERATING TEMPERATURE: -35°C~+85°C
 - THE PEAK TEMPERATURE ON THE BOARD SHALL BE MAINTAINED FOR 10 SECONDS AT 210-230°C
 - WATERPROOF: IP-X7.



USB TYPE C PIN ASSIGNMENTS

PIN NUMBER	SIGNAL NAME	PIN NUMBER	SIGNAL NAME
A1	GND	B12	GND
A4	VBUS	B9	VBUS
A5	CCI	B8	SRU2
A6	DP1	B7	DN2
A7	DM1	B6	DP2
A8	SBU1	B5	CC2
A9	VBUS	B4	VBUS
A12	GND	B1	GND

TABLE:

NO	PART	QTY	Material
1	SHELL	1	ZINC ALLOG.NI30U*Min PLATED
2	CONTACT	16	C7025.TIN80U*/Au3U*/Ni30U*PLATED
3	MID PLATE	1	SUS301.NO PLATING
4	HOUSING	1	LCP(E130) UL94 V-0 BLACK
5	WATERPROOF RING	1	SILICONE(SI/60-65A) UL94 V-0 BLACK

NAME (INTENDED USE)
CUSTOMER DRAWING

TOLERANCE	PART NO.	TITLE:
X.X ±0.30 X.* ±10'	P23-010TC161F165-01	TYPE C 16P防水母座板上压缩款
.XX ±0.20 .X.* ±8'	DESIGN: ZXW	
.XXX ±0.10 .XX.* ±5'	CHED:	
UNITS mm	APPD:	
MATERILA		
FINISH		

TOLERANCE	PART NO.	TITLE:	DRAWG NO.	SCALE	SHEET	REV.
X.X ±0.30 X.* ±10'	P23-010TC161F165-01	TYPE C 16P防水母座板上压缩款	F23-010TC161F265-01	1:1	1/2	A
.XX ±0.20 .X.* ±8'	DESIGN: ZXW					
.XXX ±0.10 .XX.* ±5'	CHED:					
UNITS mm	APPD:					
MATERILA						
FINISH						

QUANTON FUYOU Precision Electronic Technology Co.,Ltd.

