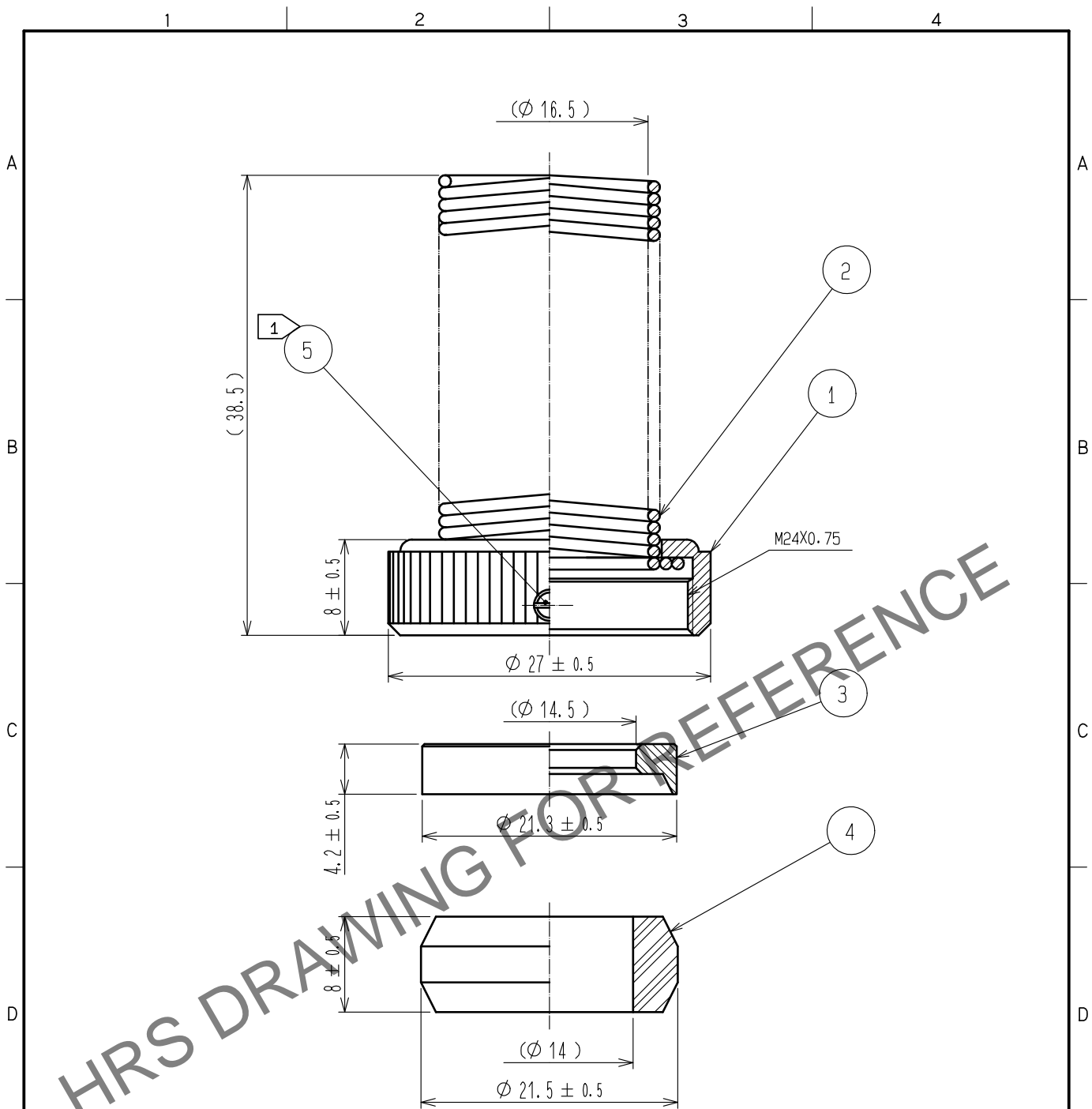


Jul.1.2024 Copyright 2024 HIROSE ELECTRIC CO., LTD. All Rights Reserved.  
 In case of consideration for using Automotive equipment / device which demand high reliability, kindly contact our sales window correspondents.



- NOTES
- ① THE RECOMMENDED CLAMP TORQUE, REF. NO. ①: 0.15 TO 0.2N·m.  
LOCTITE 263, HENKEL JAPAN OR EQUIVALENT IS RECOMMENDED TO PREVENT REF. NO. ① FROM LOOSENING.
  - ② APPLICABLE CABLE:  $\phi 14 \pm 0.3$
  - ③ ASSEMBLE WITH APPLICABLE CONNECTOR (RM24WTP-\*\*(85)).  
\*\* SHOWS NUMBER OF CONTACT, AND MALE OR FEMALE OF CONNECTOR.
  - ④ THE CABLE PULL AND TWISTING STRENGTH AND OTHER CHARACTERISTICS MAY DIFFER, DEPENDING ON THE CABLE STRUCTURE PLEASE CONFIRM BEFORE THE USE.

3	BRASS	NICKEL PLATING					
2	PHOSPHOR BRONZE	NICKEL PLATING	5	BRASS	NICKEL PLATING		
1	BRASS	NICKEL PLATING	4	CHLOROPRENE RUBBER	(BLACK)		
NO.	MATERIAL	FINISH .	REMARKS	NO.	MATERIAL	FINISH .	REMARKS

UNITS mm		SCALE 2 : 1	COUNT ① 2	DESCRIPTION OF REVISIONS DIS-C-00002214	DESIGNED HY. KISHI	CHECKED HY. KOBAYASHI	DATE 18. 04. 17
HIROSE ELECTRIC CO., LTD.				APPROVED : HY. KOBAYASHI 18. 02. 22	DRAWING NO. EDC-110117-31-00		
				CHECKED : HY. KOBAYASHI 18. 02. 22	PART NO. RM24WTP-CP(14)(31)		
				DESIGNED : HY. KISHI 18. 02. 21	CODE NO. CL109-1495-6-31		
				DRAWN : MK. INOUE 18. 02. 07	① 1/1		