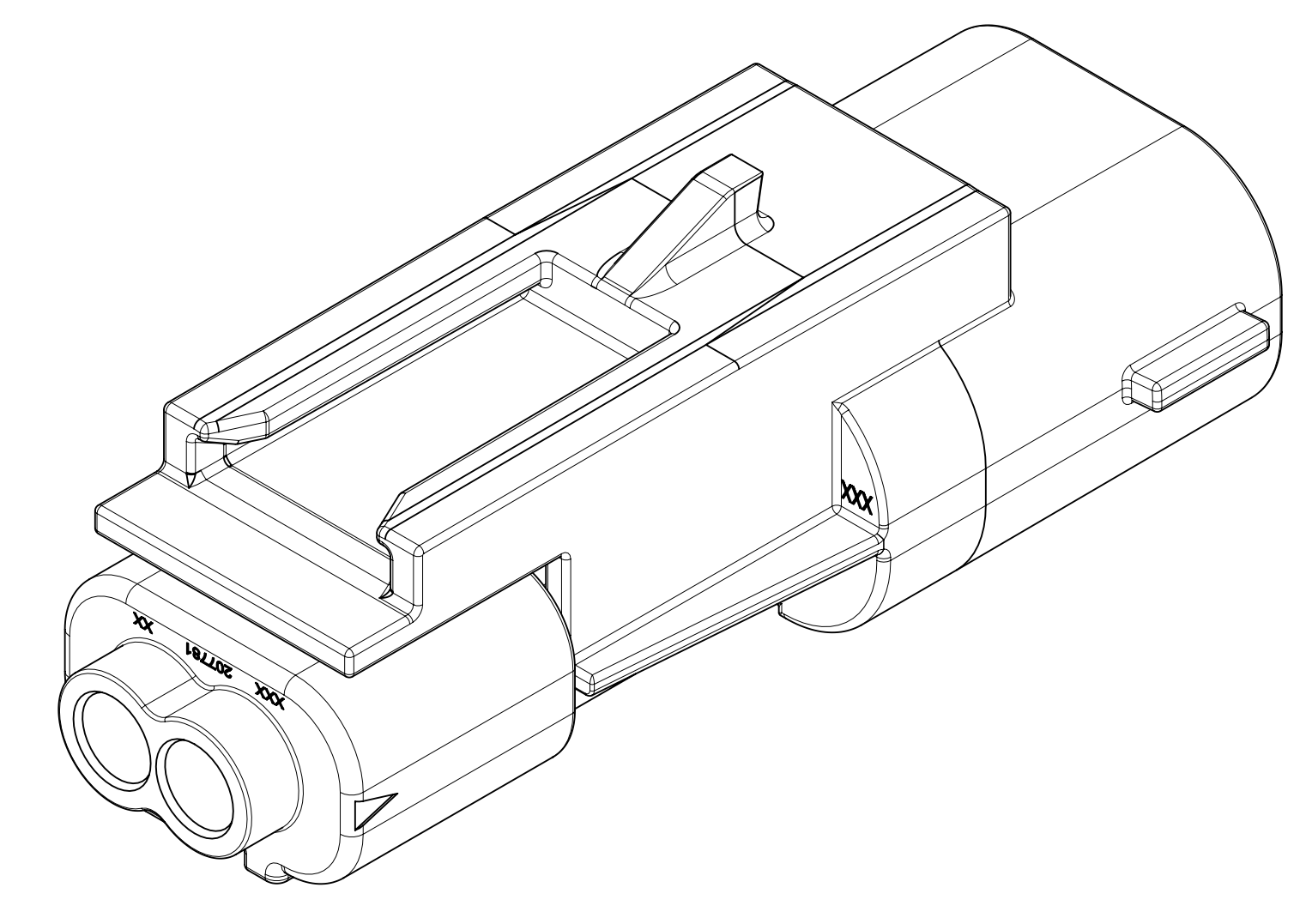
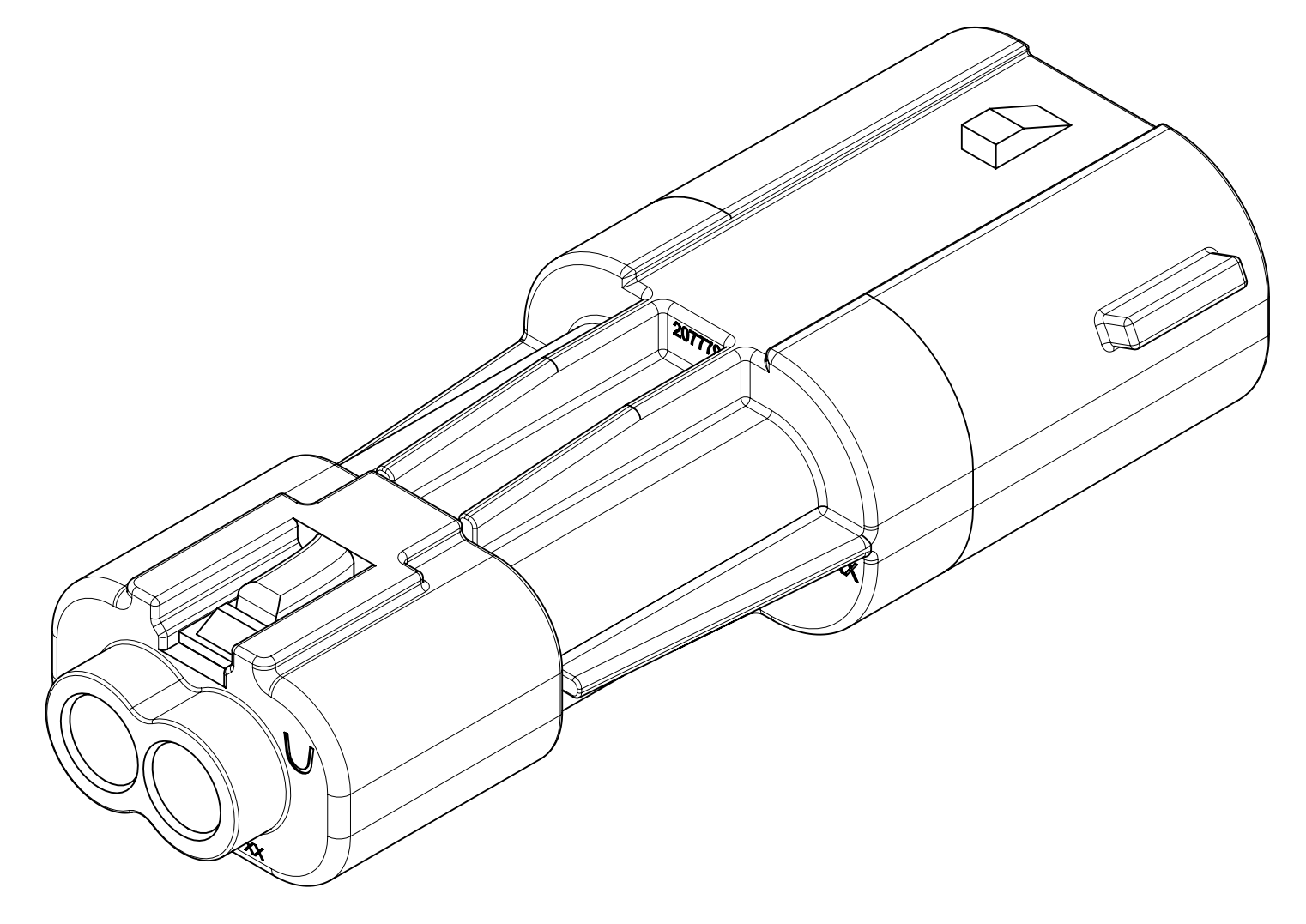
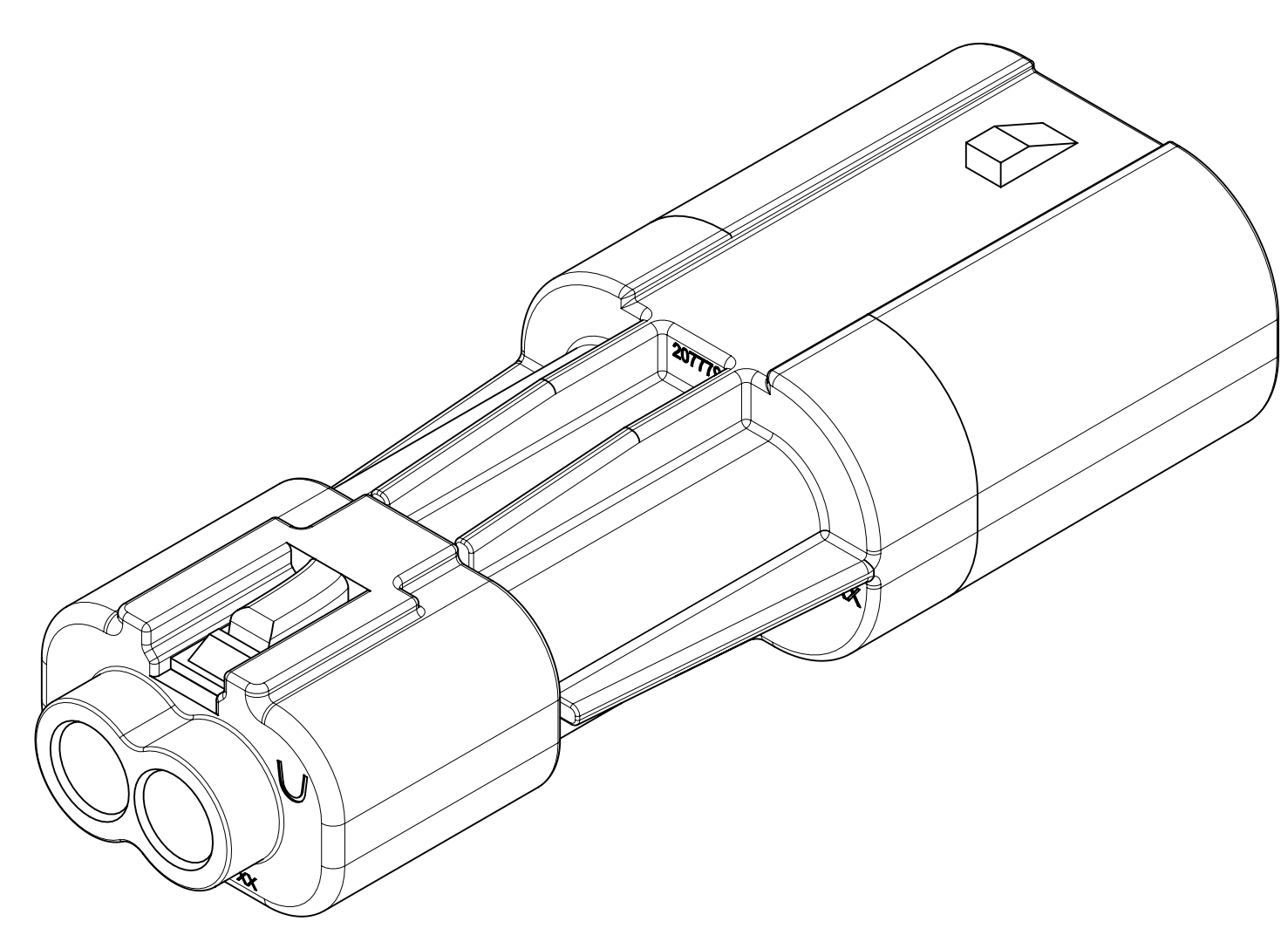


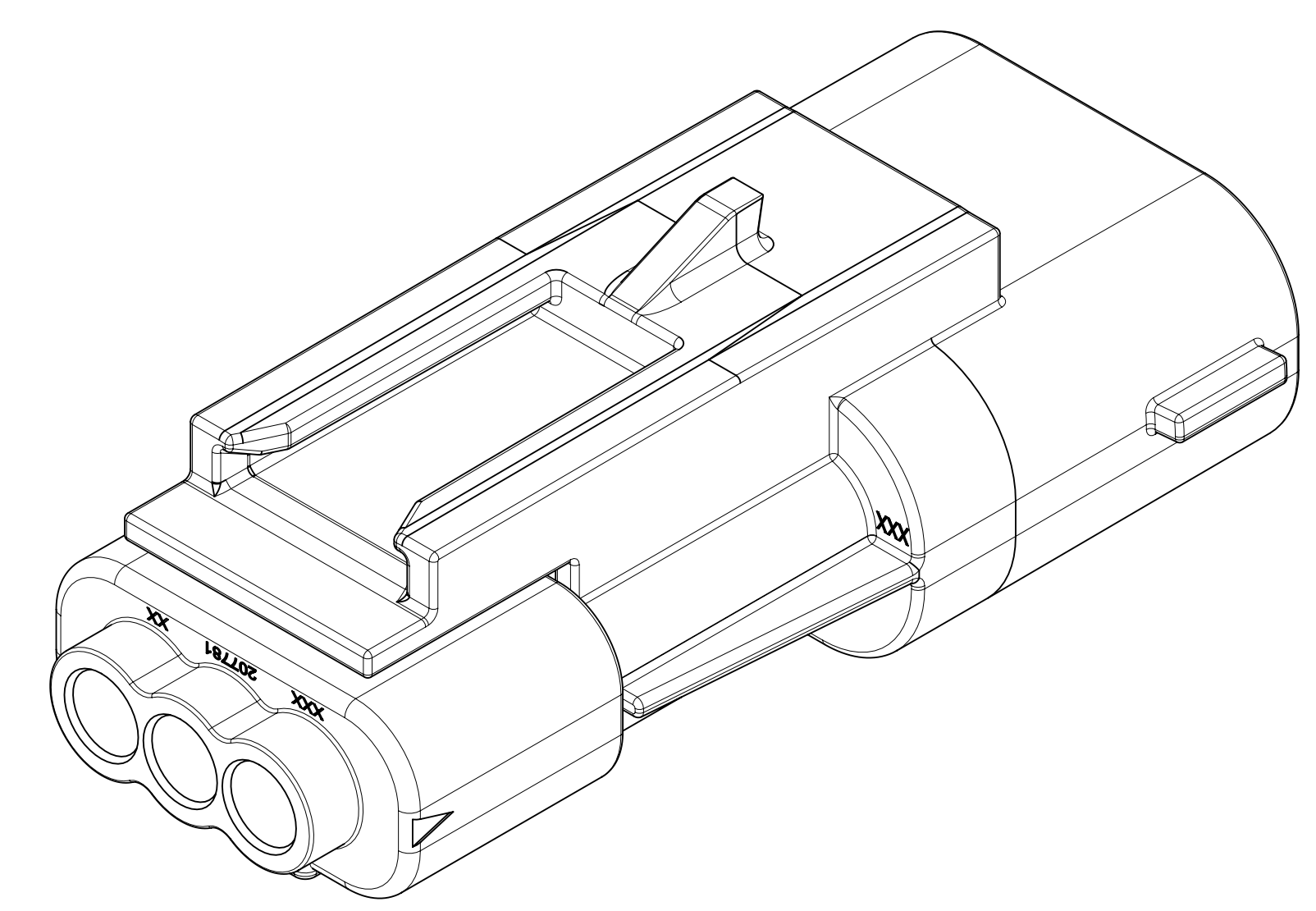
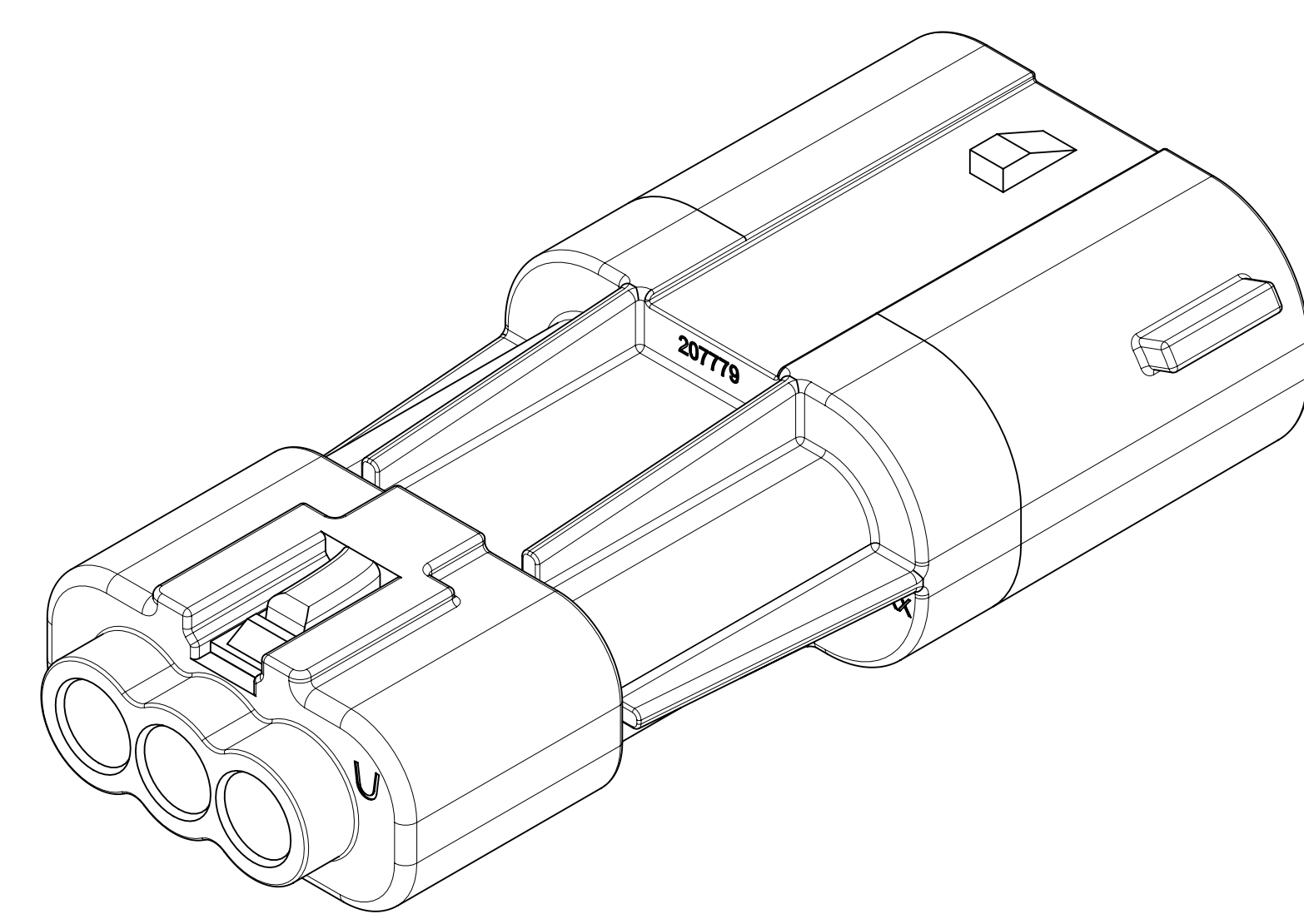
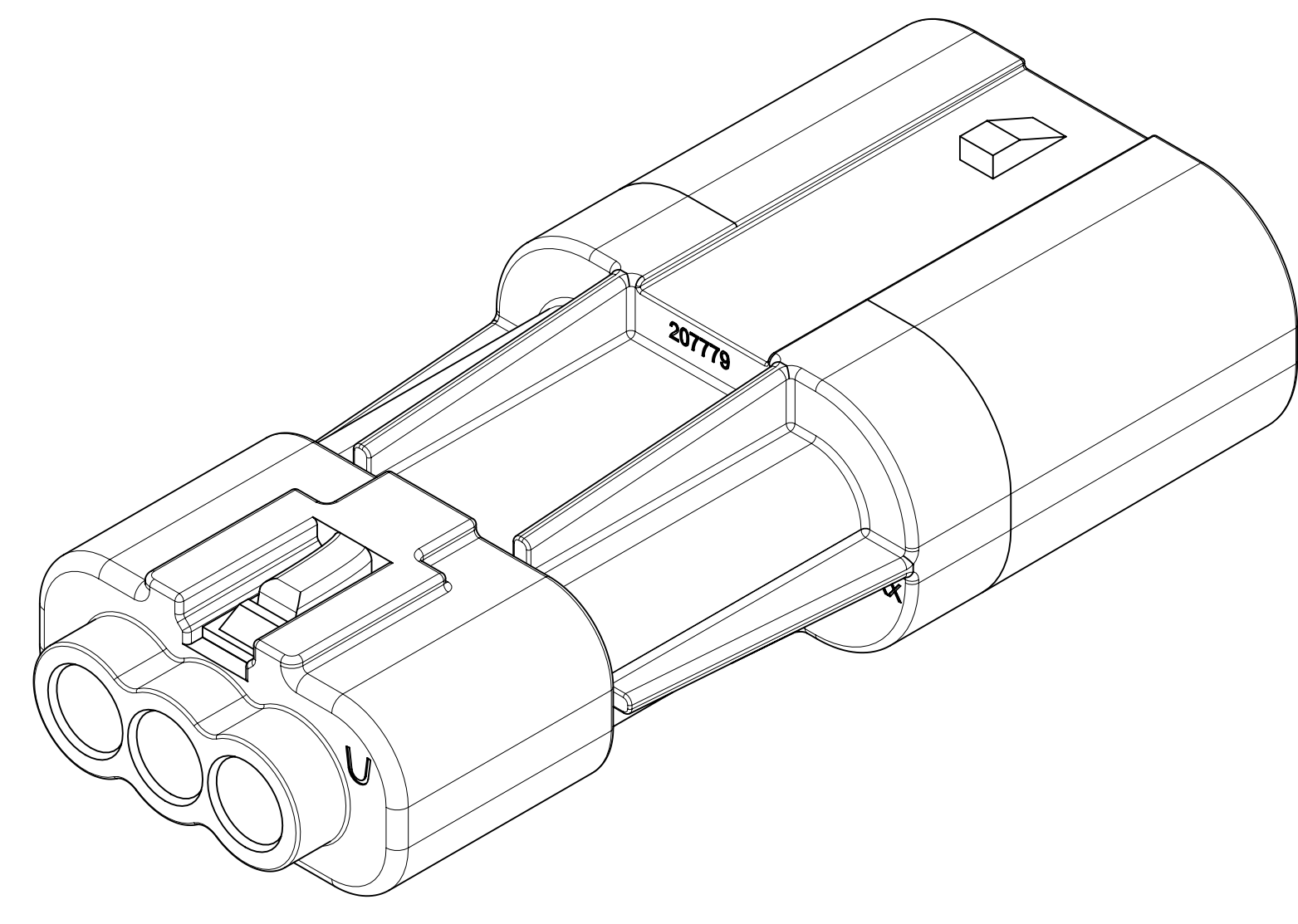
CIRCUIT CONFIGURATIONS

CIRCUITE SIZE PLUG HOUSING ASSEMBLY PLUG HOUSING ASSEMBLY WITH KEY PLUG HOUSING ASSEMBLY WITH KEY AND CLIP SLOT

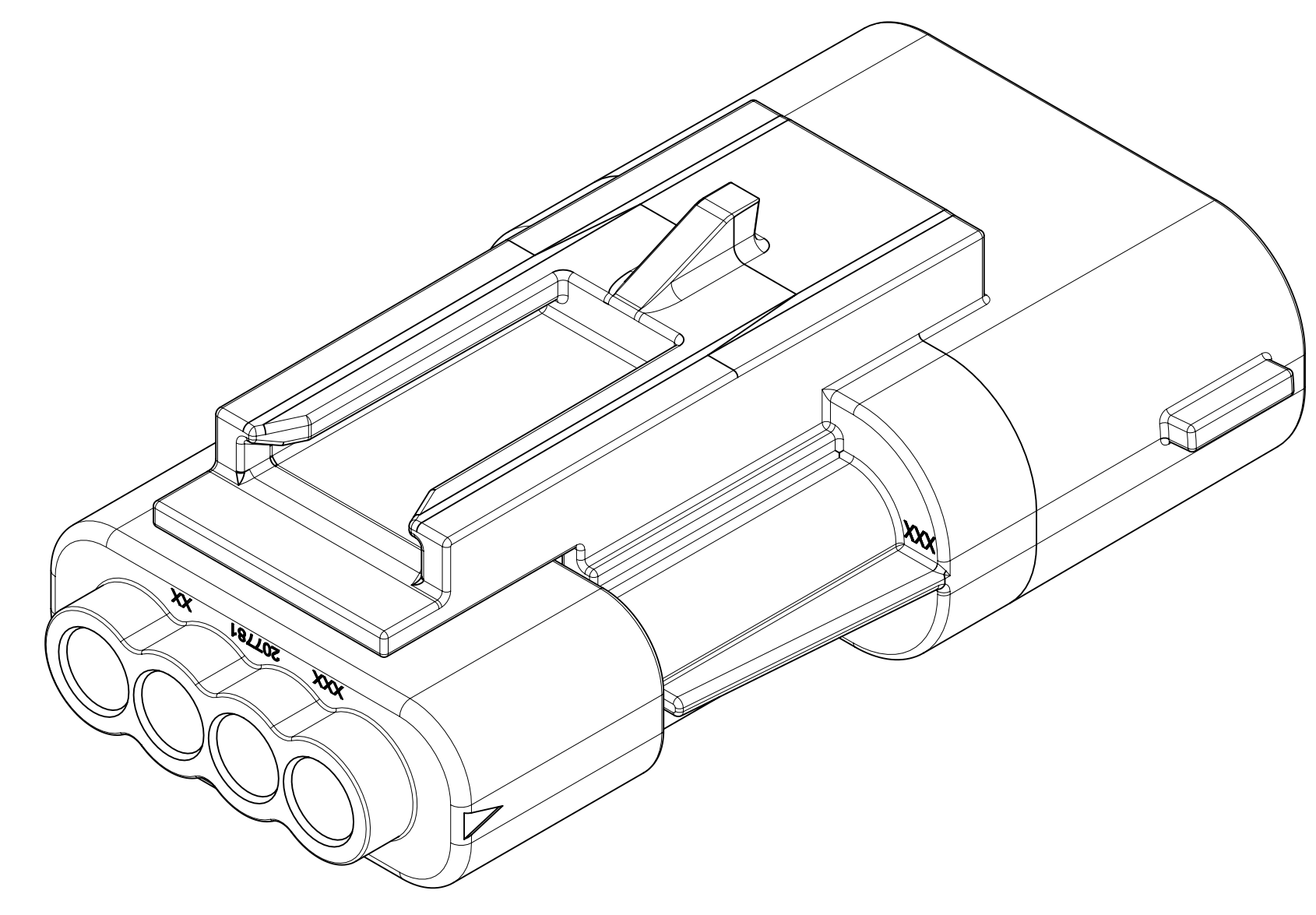
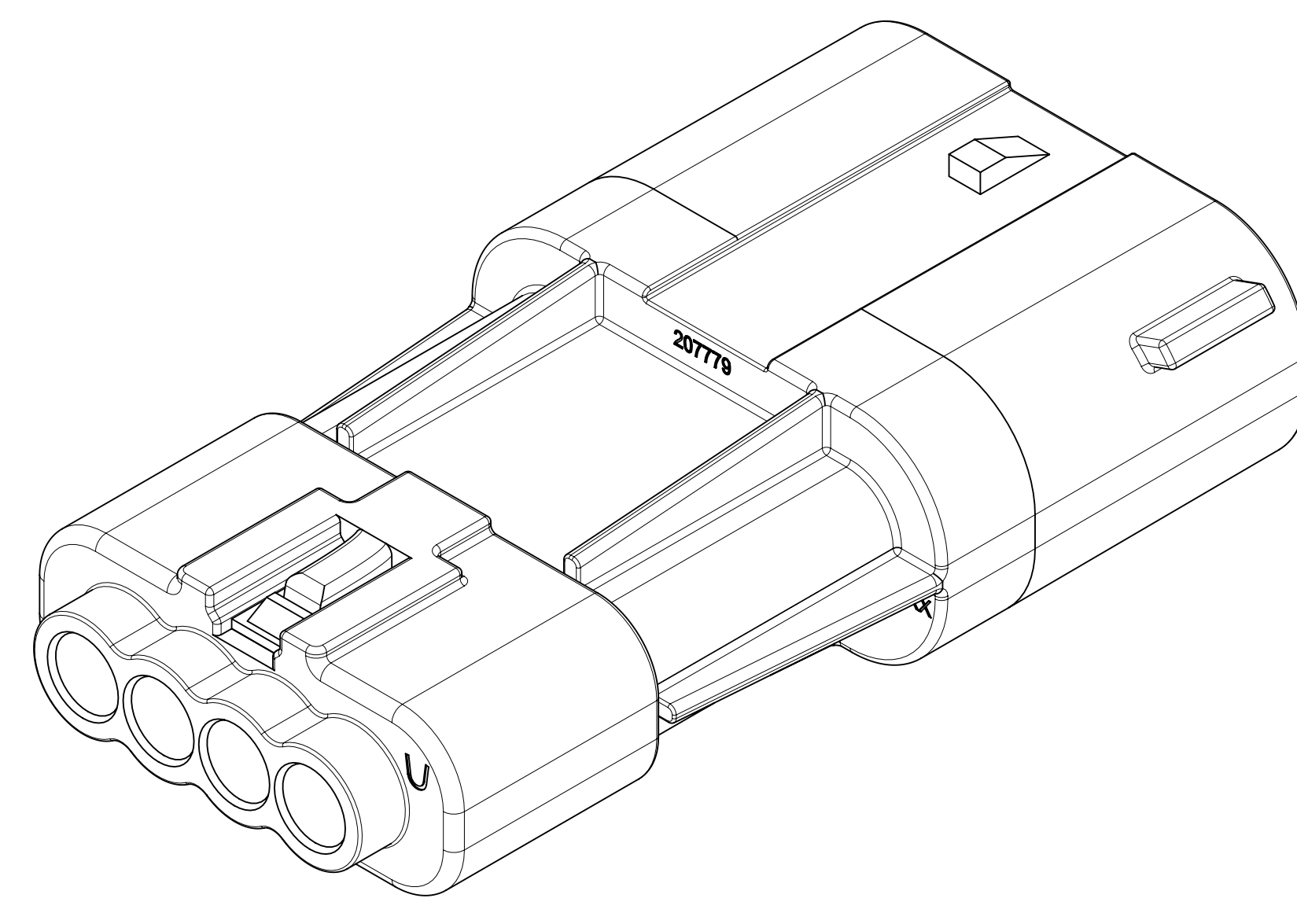
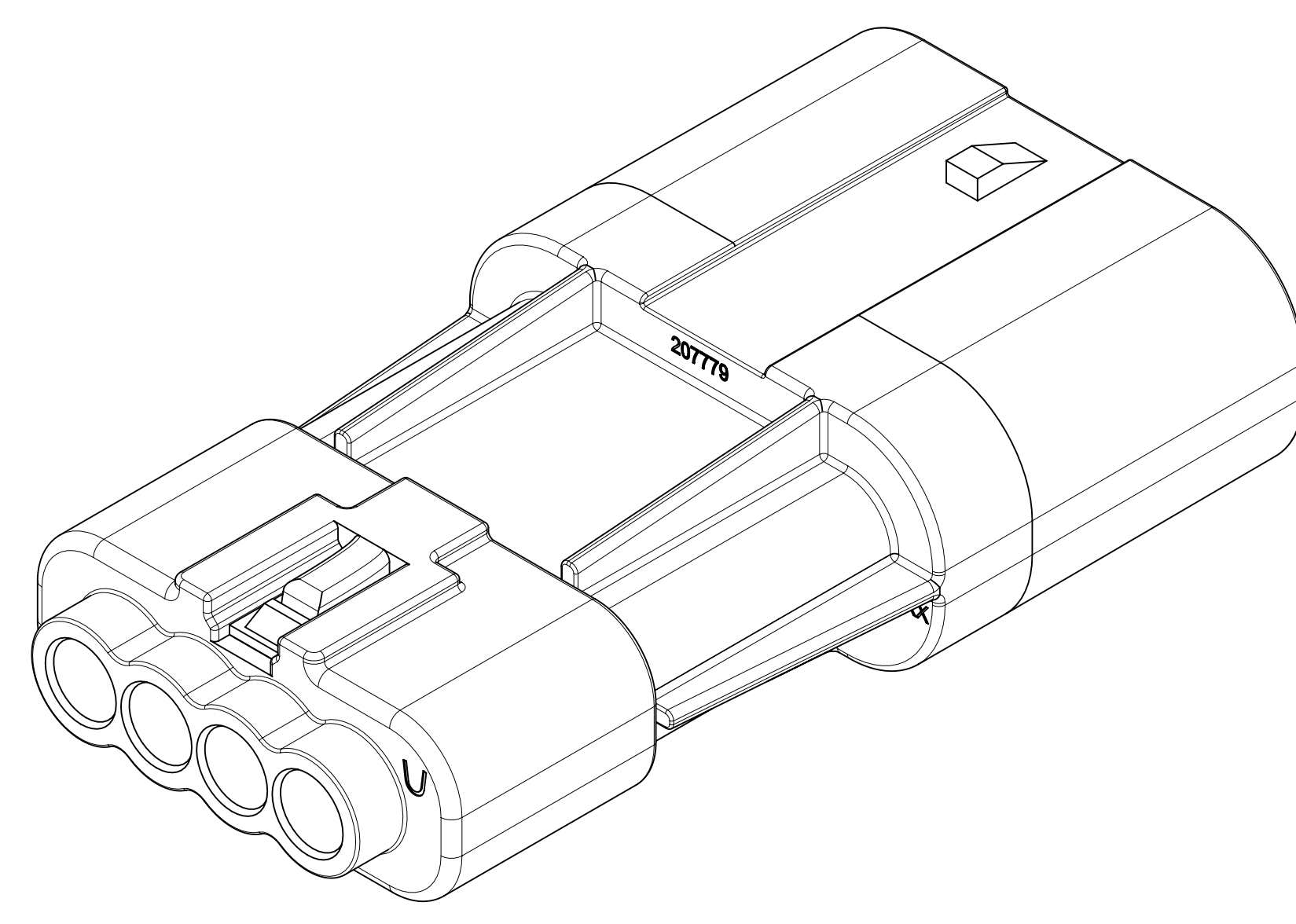
2 CKT



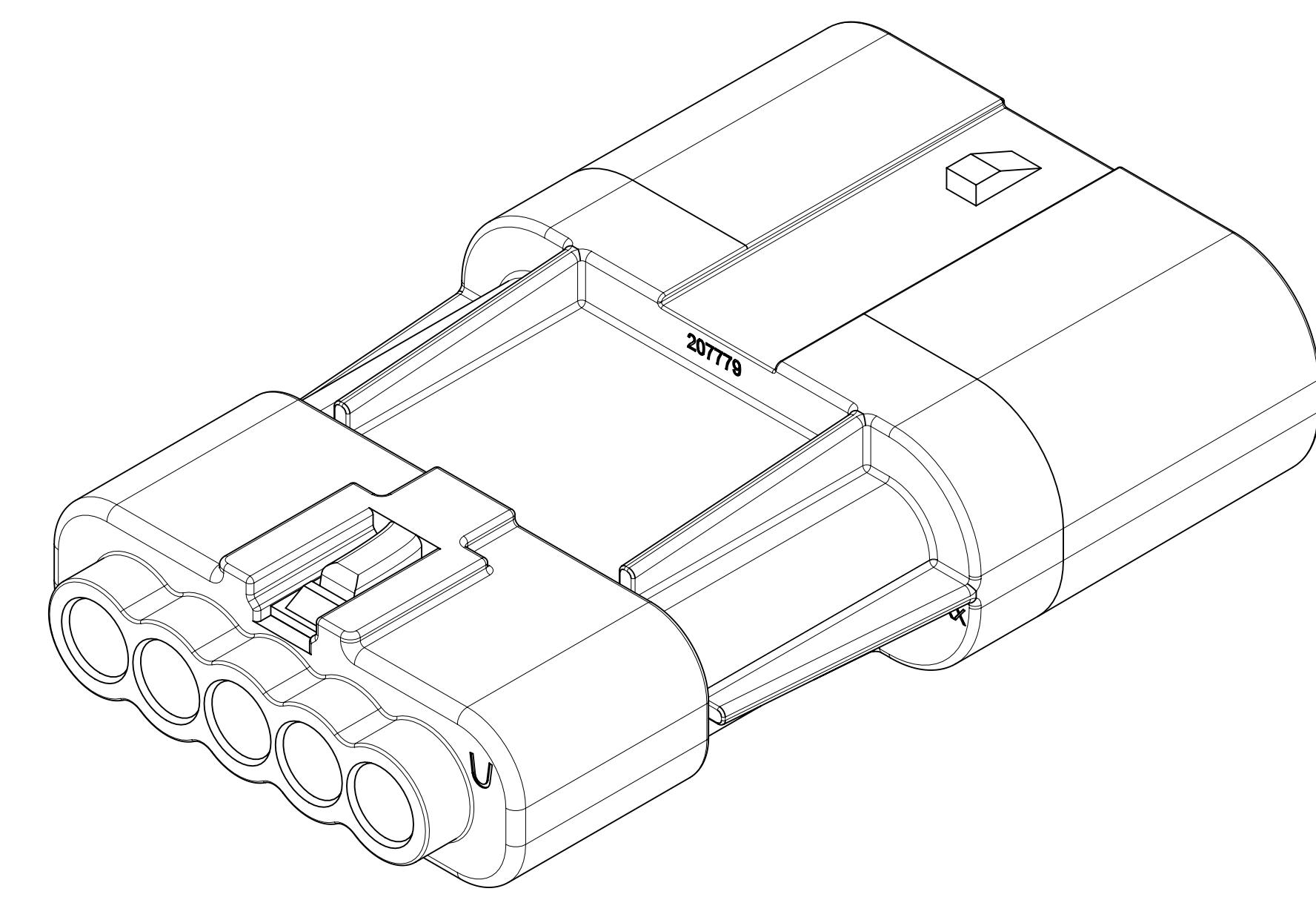
3 CKT



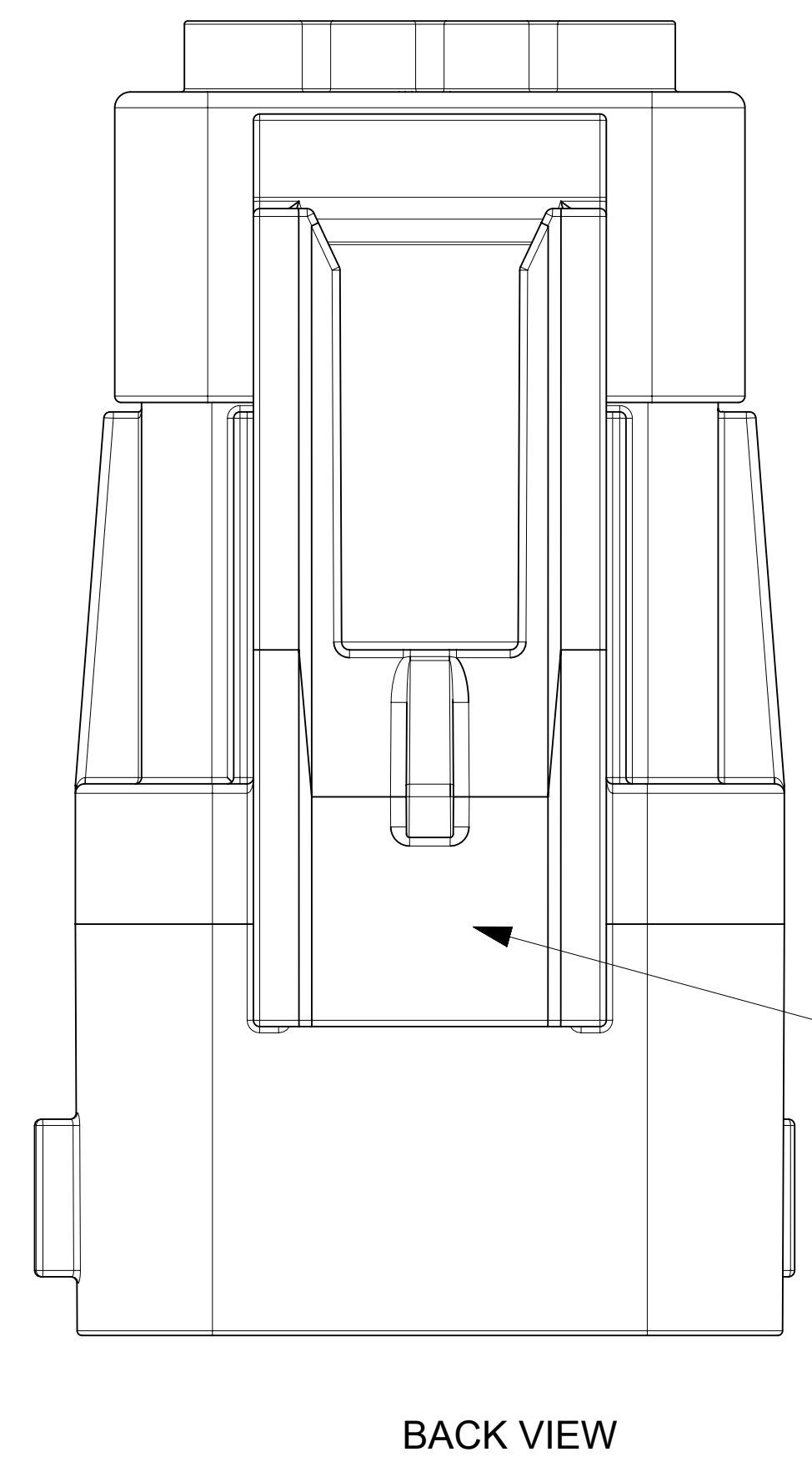
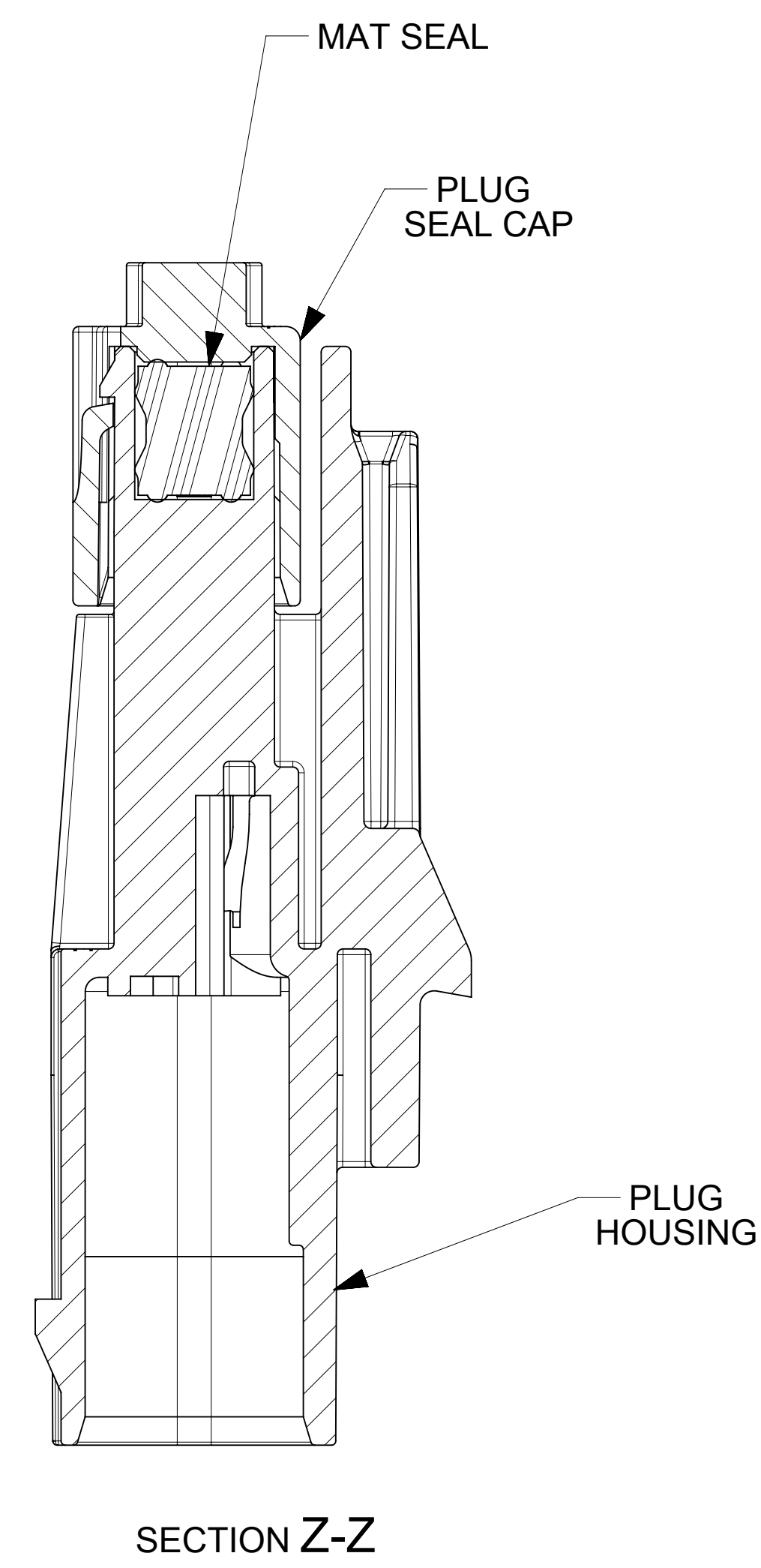
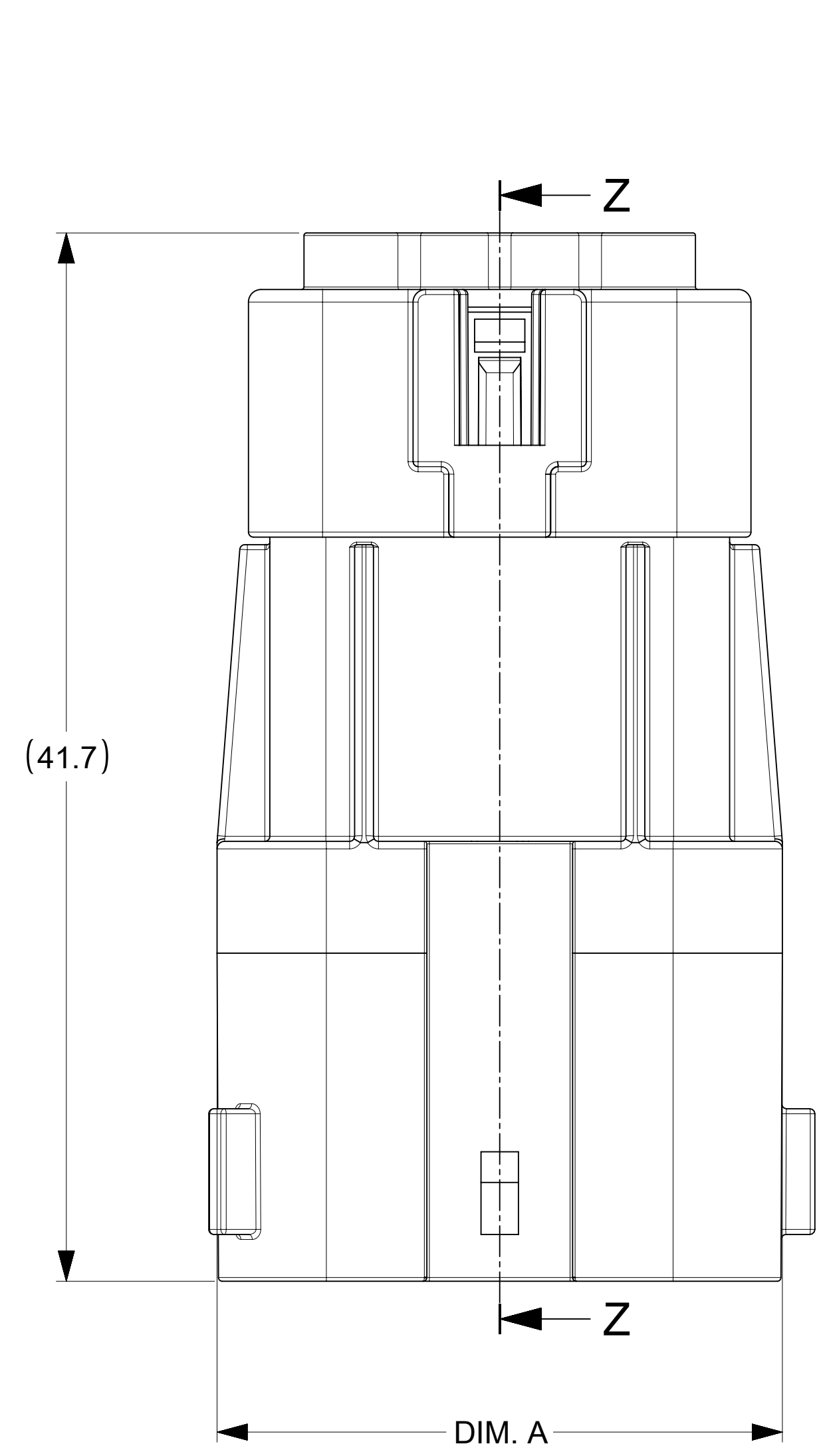
4 CKT



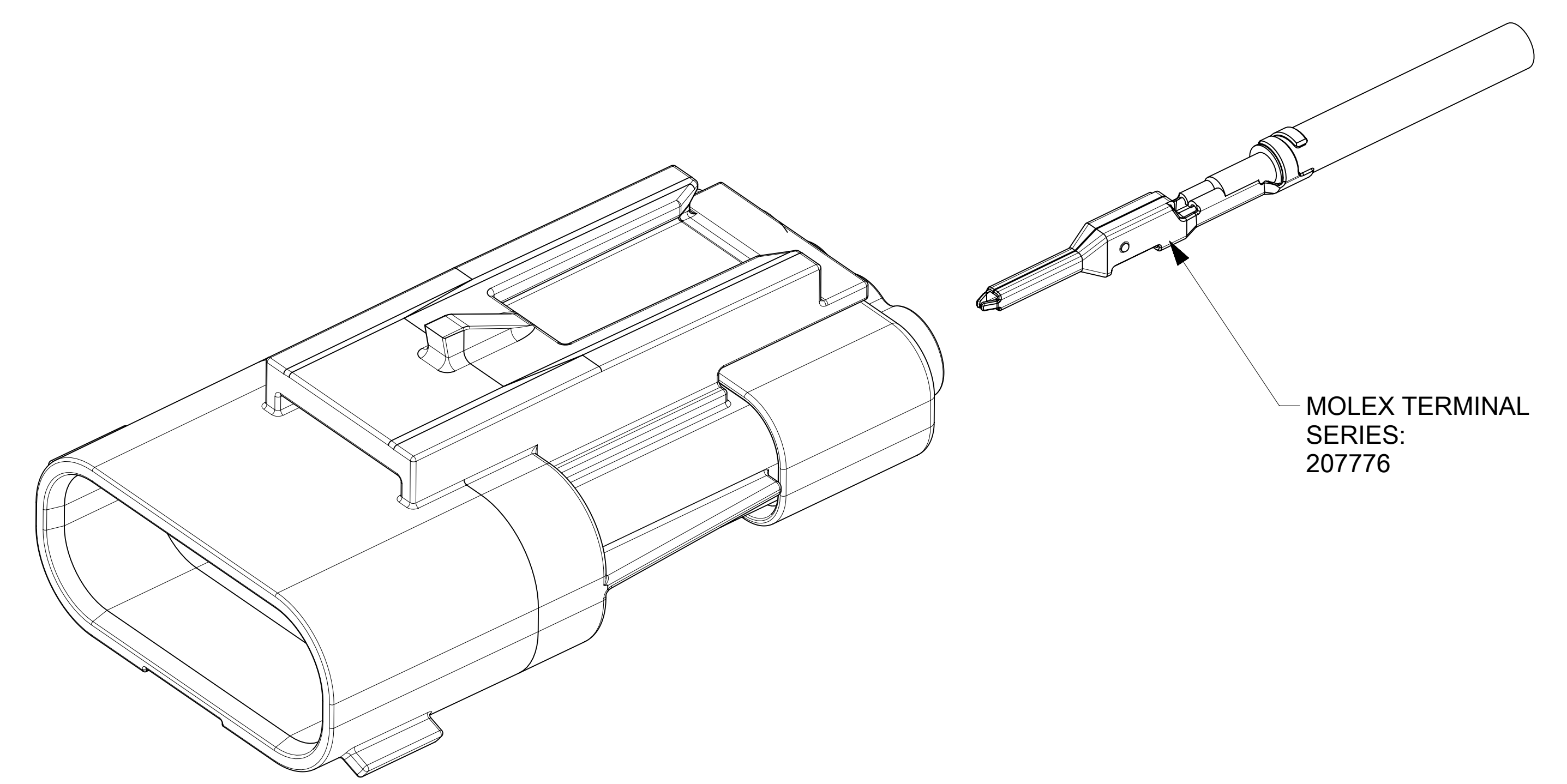
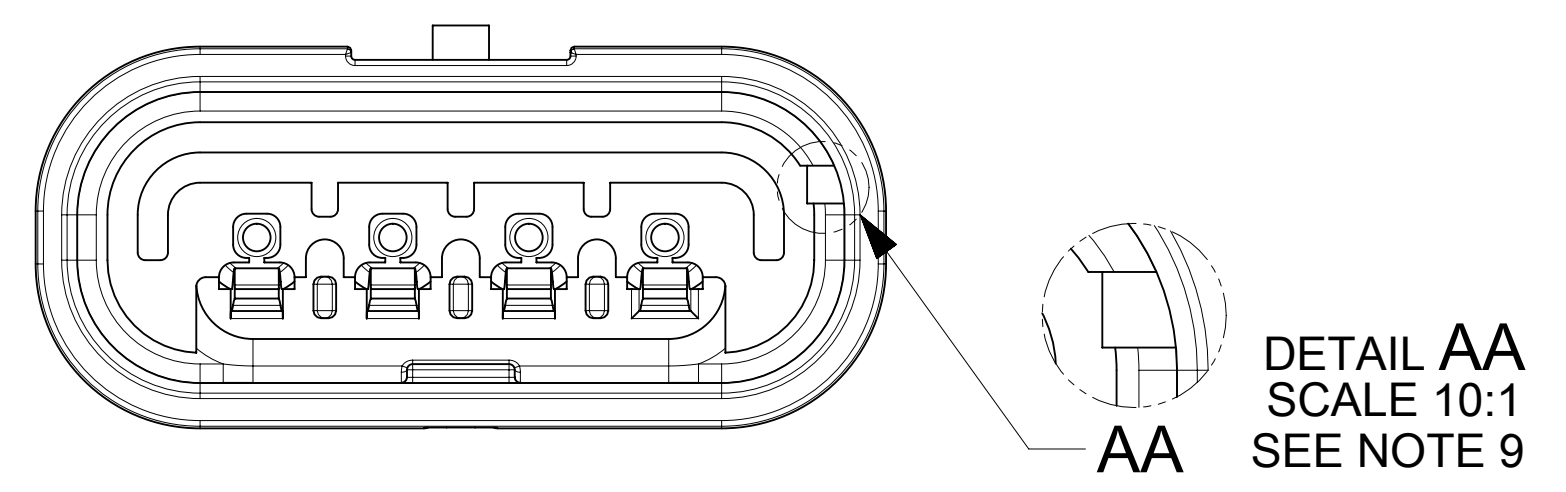
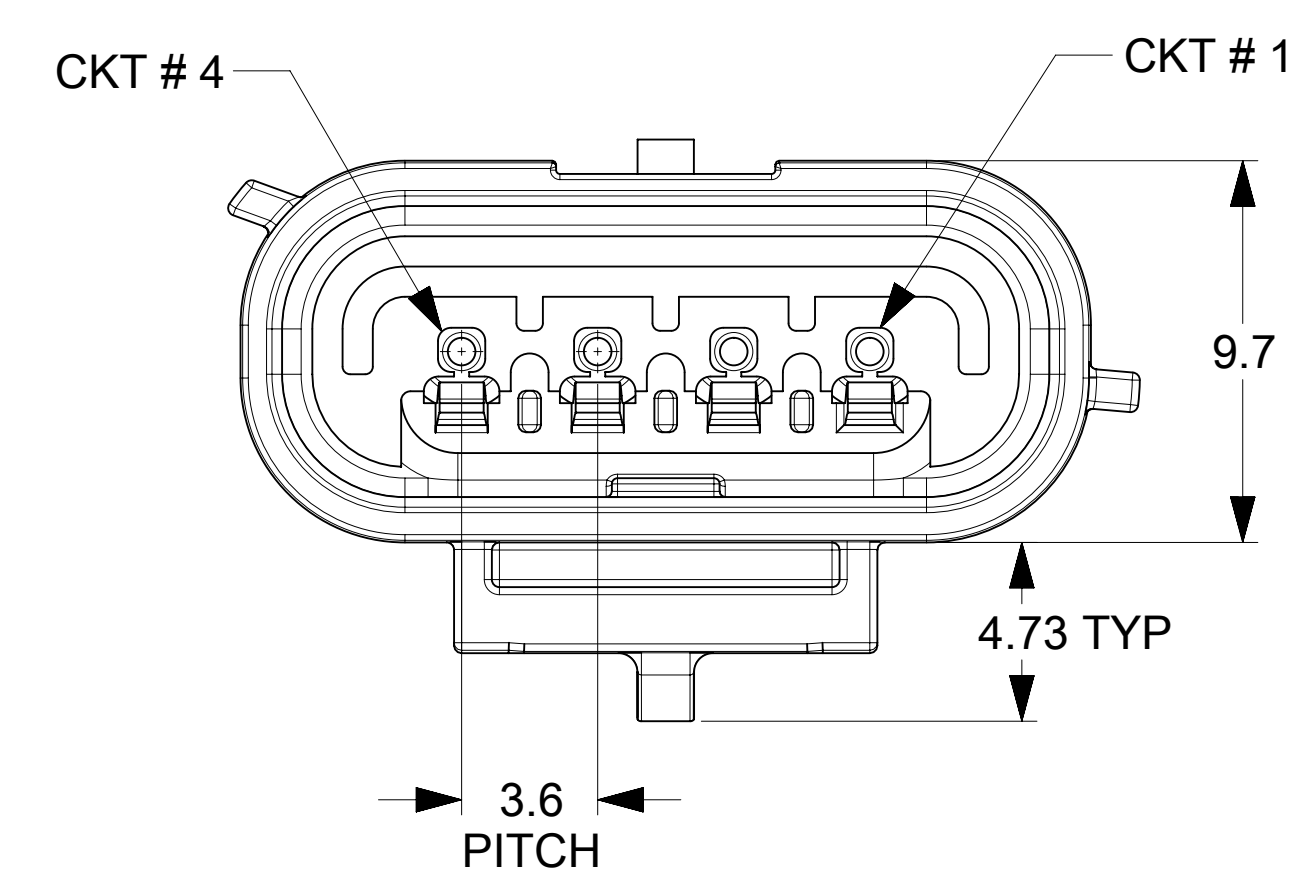
5 CKT



| | | | | | | | |
|--|---|------------------------|---|--------|-----------------|--------------------------|--------------|
| FUNCTIONAL SYMBOLS | THIS DRAWING CONTAINS INFORMATION THAT IS PROPRIETARY TO MOLEX ELECTRONIC TECHNOLOGIES, LLC AND SHOULD NOT BE USED WITHOUT WRITTEN PERMISSION | | <div style="text-align: center; font-size: 24pt; font-weight: bold;">molex</div> <p>PLUG ASSEMBLY SQUBA 3.6</p> | | | | |
| | DIMENSION UNITS | SCALE | | | | PRODUCT CUSTOMER DRAWING | |
| $\nabla = 0$ | mm | 5:1 | CURRENT REV DESC: | | | | |
| $\nabla = 0$ | GENERAL TOLERANCES (UNLESS SPECIFIED) | | EC NO: 792212 | | | | |
| $\nabla = 0$ | ANGULAR TOL \pm ° | | DRWN: KARTHG3 2024/03/05 | | | | |
| DIVISIONAL SYMBOLS | 4 PLACES | \pm | CHK'D: KARTHG3 2024/07/12 | | | | |
| | 3 PLACES | \pm | APPR: MRAMAKRISHNA 2024/07/15 | | | | |
| | 2 PLACES | \pm | INITIAL REVISION: | | | | |
| | 1 PLACE | \pm 0.3 | DRWN: MUM 2019/01/30 | | | | |
| | 0 PLACES | \pm | APPR: NCSR 2019/07/03 | | | | |
| DRAFT WHERE APPLICABLE MUST REMAIN WITHIN DIMENSIONS | | THIRD ANGLE PROJECTION | DRAWING | SERIES | MATERIAL NUMBER | CUSTOMER | SHEET NUMBER |
| | | | E-SIZE | 207778 | SEE TABLE | GENERAL MARKET | 1 OF 6 |



| CKT SIZE | DIM. A |
|----------|--------|
| 2 | 15.3 |
| 3 | 18.9 |
| 4 | 22.5 |

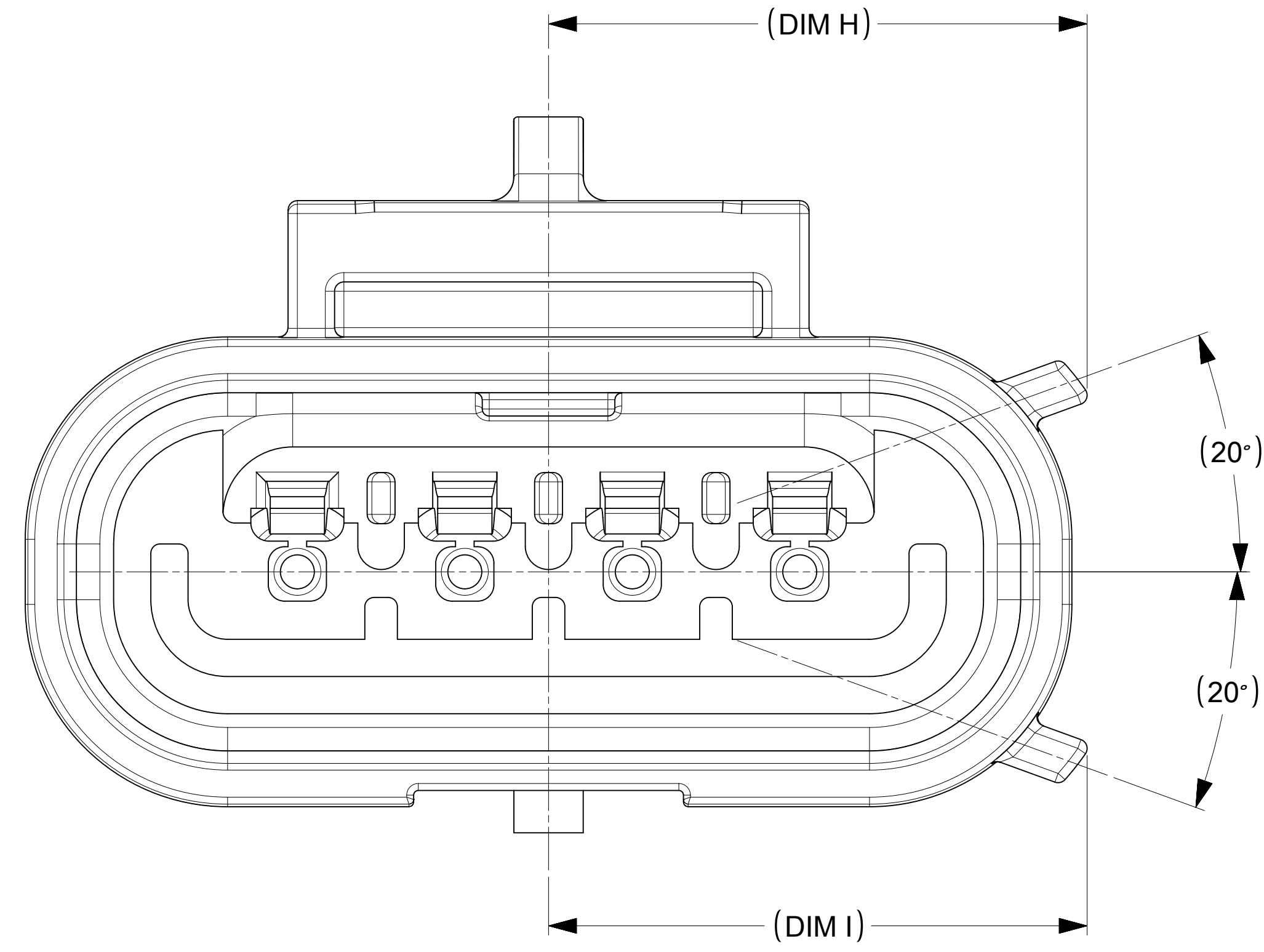


- NOTES:**
- MATERIAL:**
HOUSING & PLUG SEAL CAP: NYLON, COLOR: REFER PART NUMBER DETAILS.
SEALS: INHERENTLY LUBRICATED SILICON
 - PRODUCT SPECIFICATION:** 2077760000-PS
 - APPLICATION SPECIFICATION:** 2077760000-AS
 - PACKAGING SPECIFICATION:** 2077780000-PK
 - THIS PART MATES WITH RECEPTACLE SERIES** 207782
 - THIS PART USES TERMINAL SERIES** 2077760001
2077760002 AND 2077760003
 - THIS PART CONFORMS TO CLASS 'B' REQUIREMENTS OF COSMETIC SPECIFICATION** PS-45499-002.
 - THE OPTIONAL CLIP SLOT CONFORMS WITH EWCAP-005 7MM CLIPSLOT**
 - RIB FEATURE APPLICABLE ONLY FOR BLACK COLOR HOUSING ASSEMBLY.**

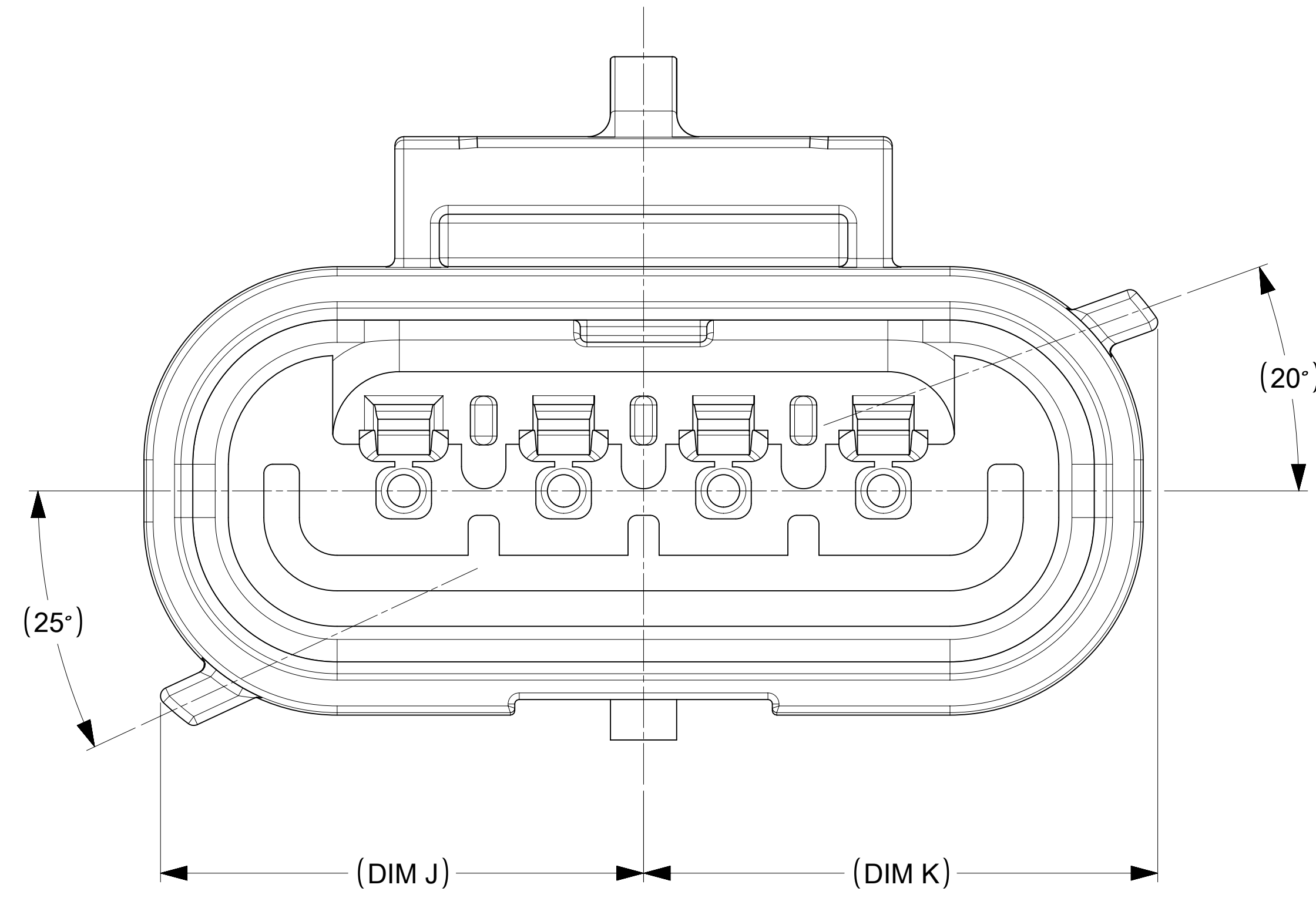
| | | | | | | | |
|--|--|---|--|--|--|--|--|
| FUNCTIONAL SYMBOLS | | THIS DRAWING CONTAINS INFORMATION THAT IS PROPRIETARY TO MOLEX ELECTRONIC TECHNOLOGIES, LLC AND SHOULD NOT BE USED WITHOUT WRITTEN PERMISSION | | <div style="text-align: center; font-size: 24pt; font-weight: bold;">molex</div> <div style="text-align: center; font-weight: bold;">PLUG ASSEMBLY SQUBA 3.6</div> | | | |
| DIMENSION UNITS | | SCALE | | | | | |
| CURRENT REV DESC: | | mm 5:1 | | DOCUMENT NUMBER | | | |
| GENERAL TOLERANCES (UNLESS SPECIFIED) | | ANGULAR TOL ± ° | | DOC TYPE DOC PART REVISION | | | |
| 4 PLACES ± | | EC NO: 792212 | | 2077780000-SD | | | |
| 3 PLACES ± | | DRWN: KARTHG3 | | PSD 000 E1 | | | |
| 2 PLACES ± | | CHK'D: KARTHG3 | | GENERAL MARKET | | | |
| 1 PLACE ± 0.3 | | APPR: MRAMAKRISHNA | | SHEET NUMBER | | | |
| 0 PLACES ± | | INITIAL REVISION: | | 2 OF 6 | | | |
| DRAFT WHERE APPLICABLE MUST REMAIN WITHIN DIMENSIONS | | DRWN: MUM | | MATERIAL NUMBER | | | |
| THIRD ANGLE PROJECTION | | APPR: NCSR | | CUSTOMER | | | |
| DRAWING | | SERIES | | SEE TABLE | | | |
| E-SIZE | | 207778 | | | | | |

KEYING CONFIGURATIONS E1

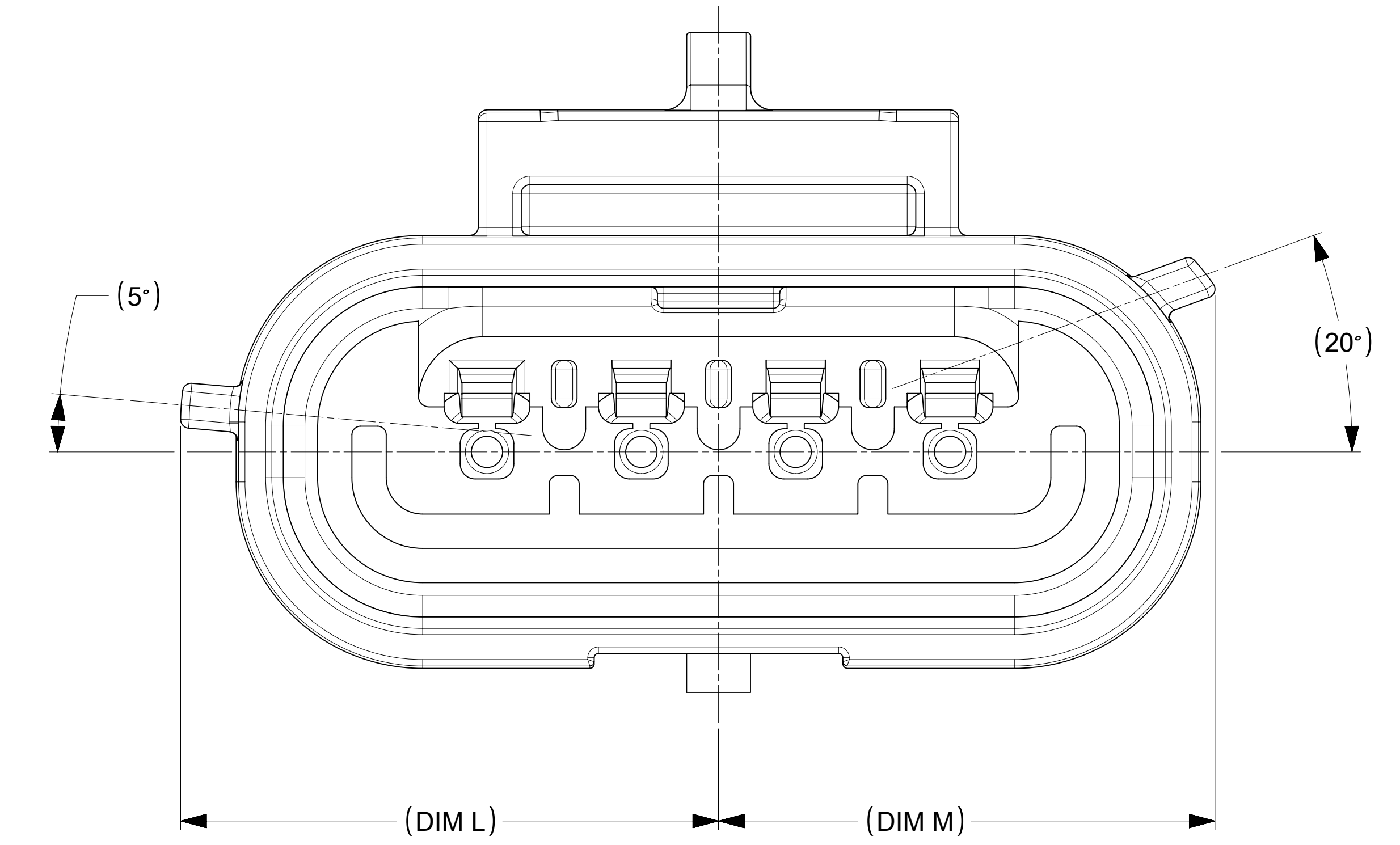
KEY A, RED COLOR



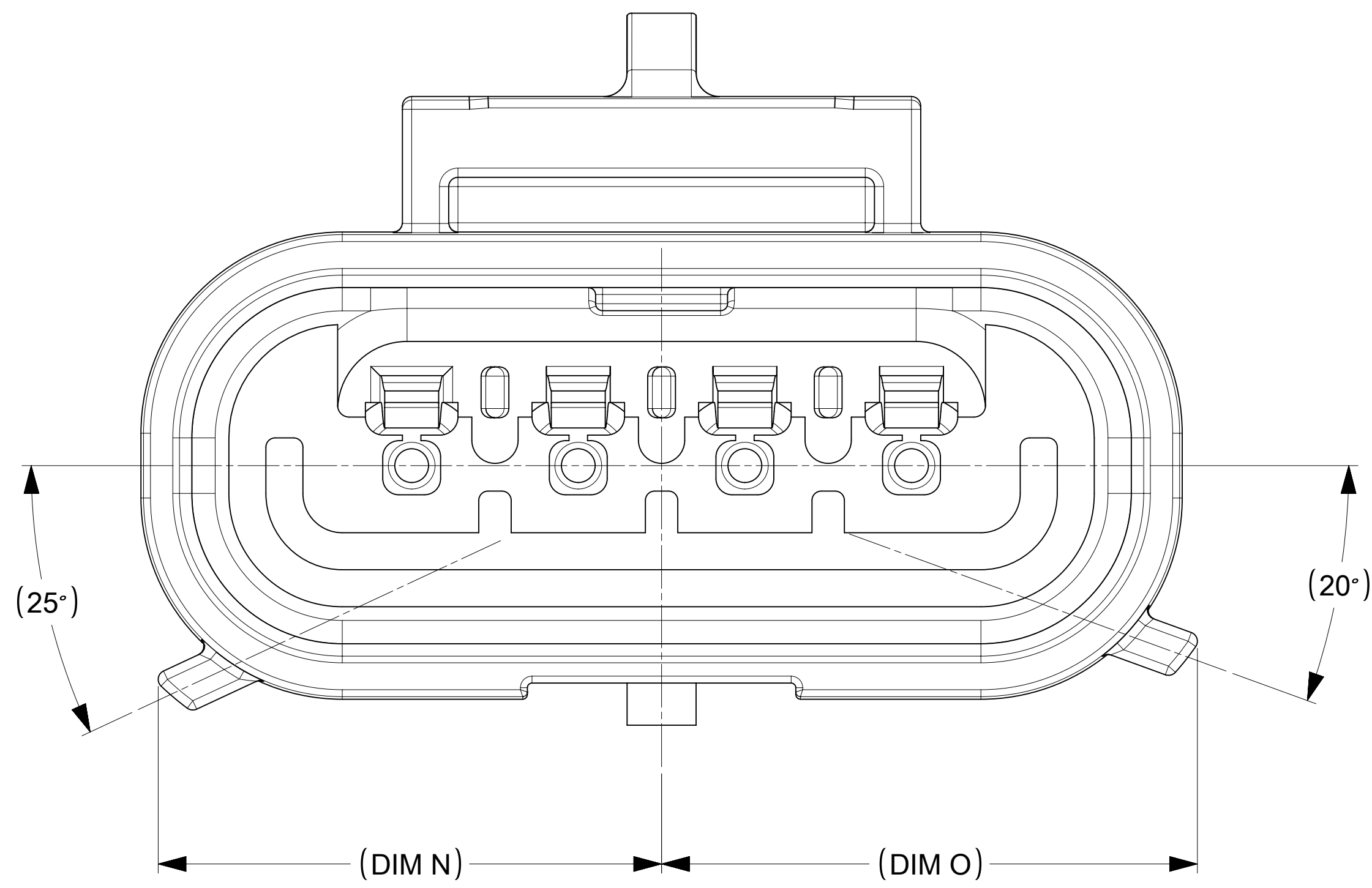
KEY B, NATURAL COLOR



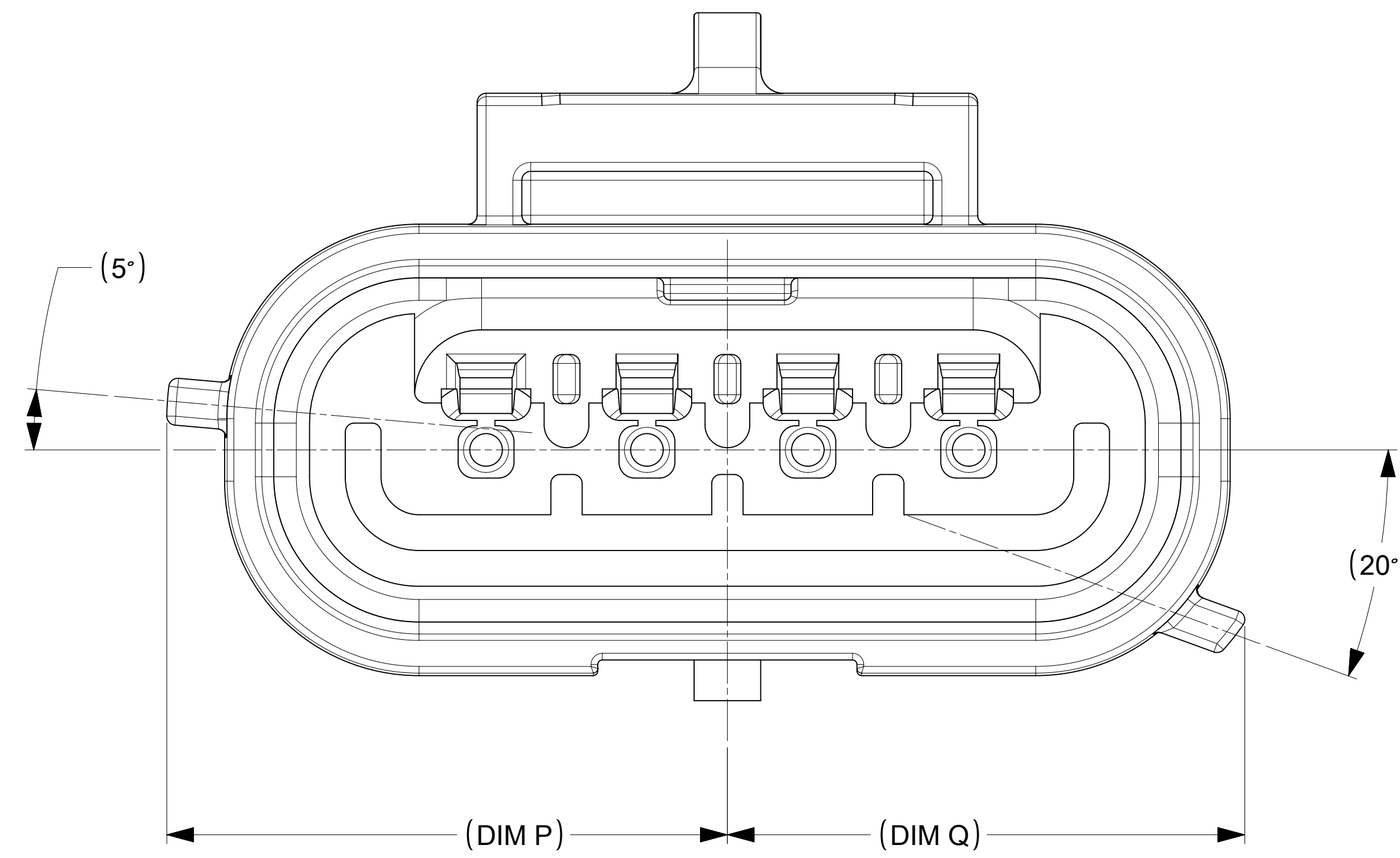
KEY C, GRAY COLOR



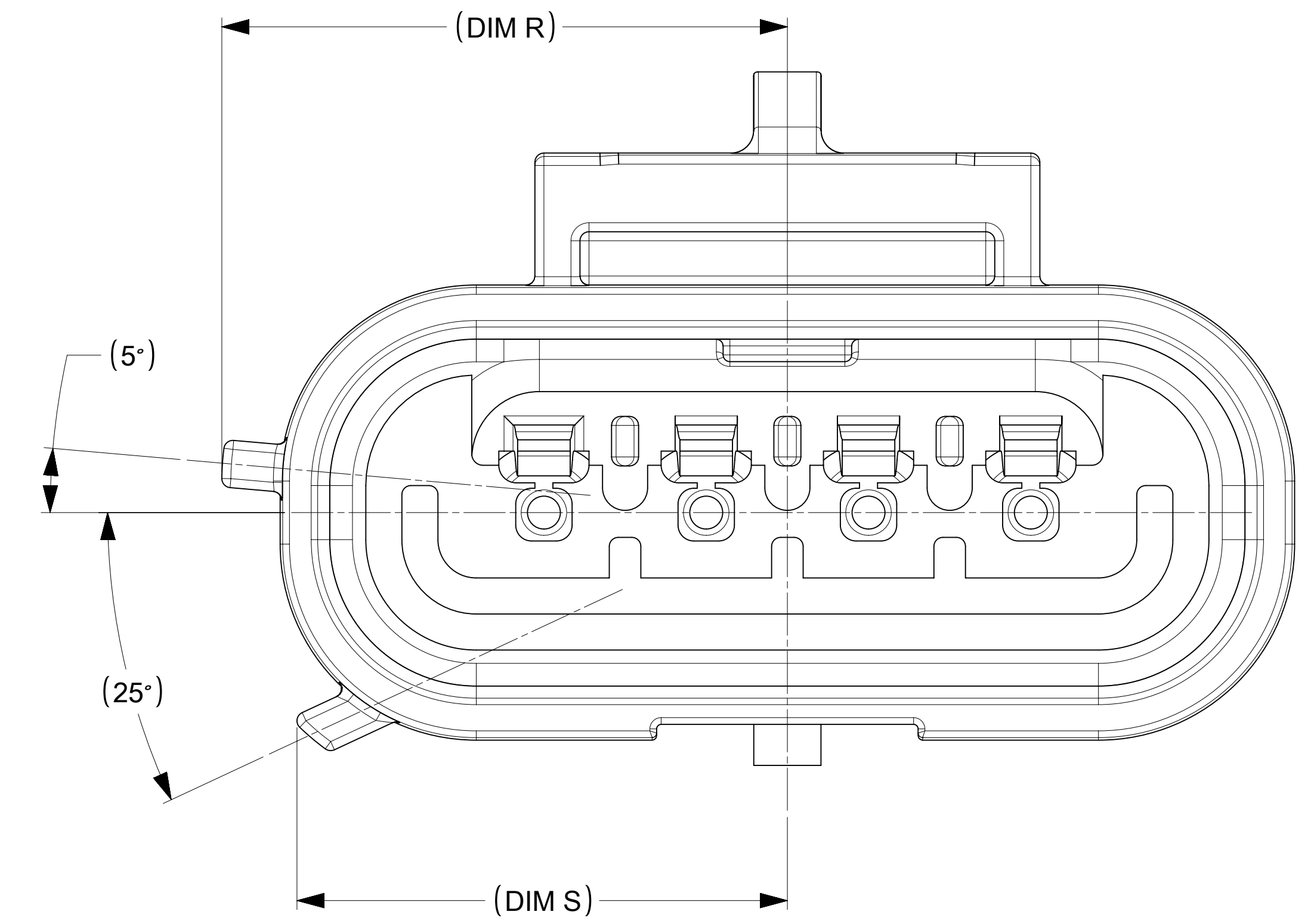
KEY D, YELLOW COLOR



KEY E, BROWN COLOR



KEY F, ORANGE COLOR



CHARTED DIMENSIONS E1

| KEYS | KEY A RED | | KEY B NATURAL | | KEY C GRAY | | KEY D YELLOW | | KEY E BROWN | | KEY F ORANGE | |
|-------|-----------|-------|---------------|-------|------------|-------|--------------|-------|-------------|-------|--------------|-------|
| | H | I | J | K | L | M | N | O | P | Q | R | S |
| CKT 2 | 8.56 | 8.56 | 8.23 | 8.56 | 8.94 | 8.56 | 8.23 | 8.56 | 8.94 | 8.56 | 8.94 | 8.23 |
| CKT 3 | 10.10 | 10.10 | 9.61 | 10.10 | 10.75 | 10.10 | 9.61 | 10.10 | 10.75 | 10.10 | 10.75 | 9.61 |
| CKT 4 | 11.58 | 11.58 | 10.88 | 11.58 | 12.54 | 11.58 | 10.88 | 11.58 | 12.54 | 11.58 | 12.54 | 10.88 |

NOTE: KEYING CONFIGURATIONS WILL REMAIN SAME IN 2 & 3 CKT.

| | | | | | | | | | | | | | |
|--|---|-------|--|--|---------|--------|-----------------|----------------|--------------|--|--|------------|--|
| FUNCTIONAL SYMBOLS | THIS DRAWING CONTAINS INFORMATION THAT IS PROPRIETARY TO MOLEX ELECTRONIC TECHNOLOGIES, LLC AND SHOULD NOT BE USED WITHOUT WRITTEN PERMISSION | | | | | | | | | | | | |
| | DIMENSION UNITS | SCALE | | CURRENT REV DESC: | | | | | | | | | |
| $\nabla_A = 0$ | mm | 1:1 | | EC NO: 792212 DRWN: KARTHG3 CHK'D: KARTHG3 APPR: MRAMAKRISHNA INITIAL REVISION: DRWN: MUM APPR: NCSR | | | | | | | | | |
| $\nabla_E = 0$ | GENERAL TOLERANCES (UNLESS SPECIFIED) | | | | | | | | | | | 2024/07/12 | |
| $\nabla_F = 0$ | ANGULAR TOL \pm ° | | | | | | | | | | | 2024/07/15 | |
| 4 PLACES \pm | | | | | | | | | | | | | |
| DIVISIONAL SYMBOLS | 3 PLACES \pm | | | 2019/01/30 | | | | | | | | | |
| | 2 PLACES \pm | | | 2019/07/03 | | | | | | | | | |
| | 1 PLACE \pm 0.3 | | | | | | | | | | | | |
| | 0 PLACES \pm | | | | | | | | | | | | |
| DRAFT WHERE APPLICABLE MUST REMAIN WITHIN DIMENSIONS | | | | THIRD ANGLE PROJECTION | DRAWING | SERIES | MATERIAL NUMBER | CUSTOMER | SHEET NUMBER | | | | |
| | | | | | E-SIZE | 207778 | SEE TABLE | GENERAL MARKET | 3 OF 6 | | | | |

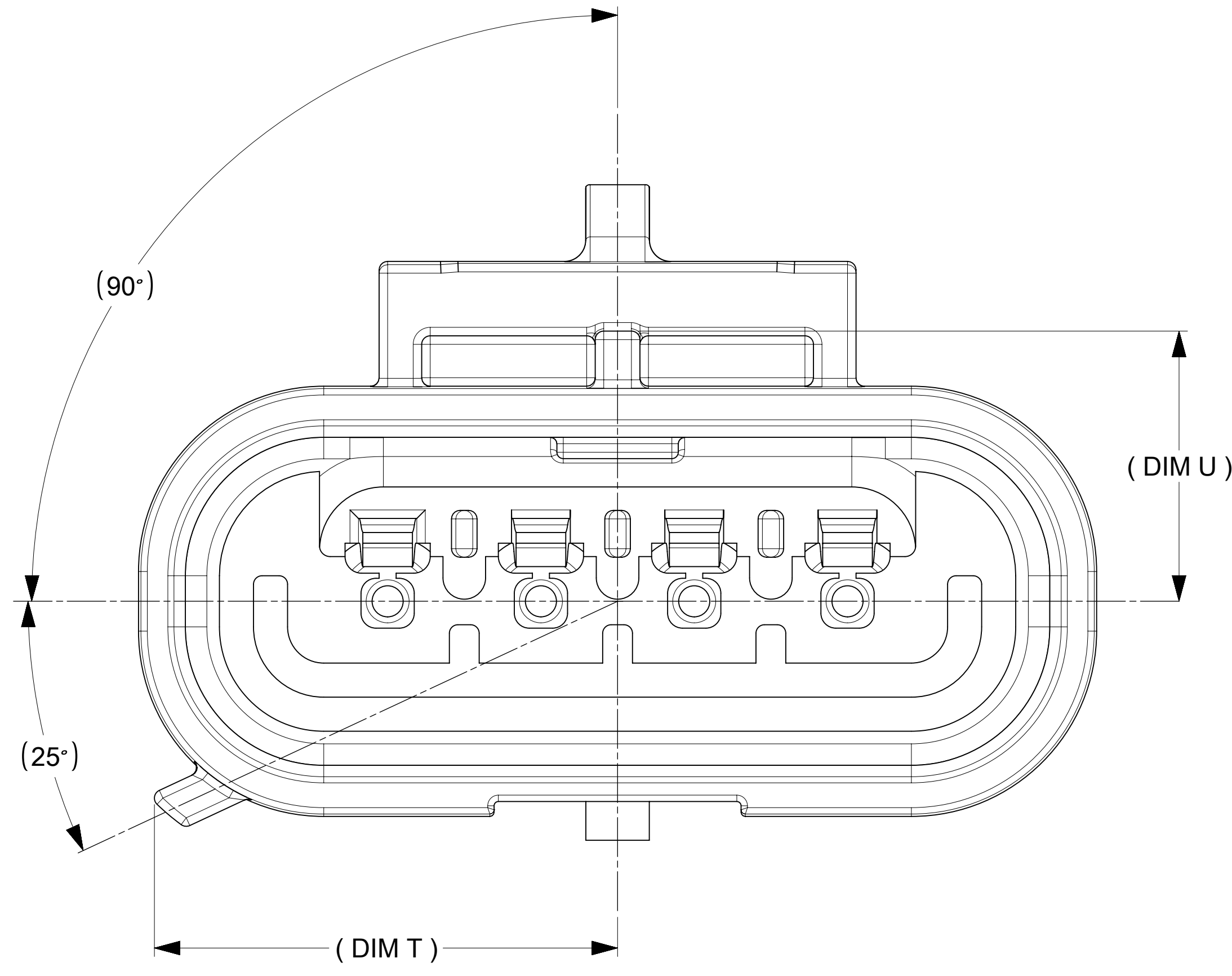
molex

PLUG ASSEMBLY
SQUBA 3.6

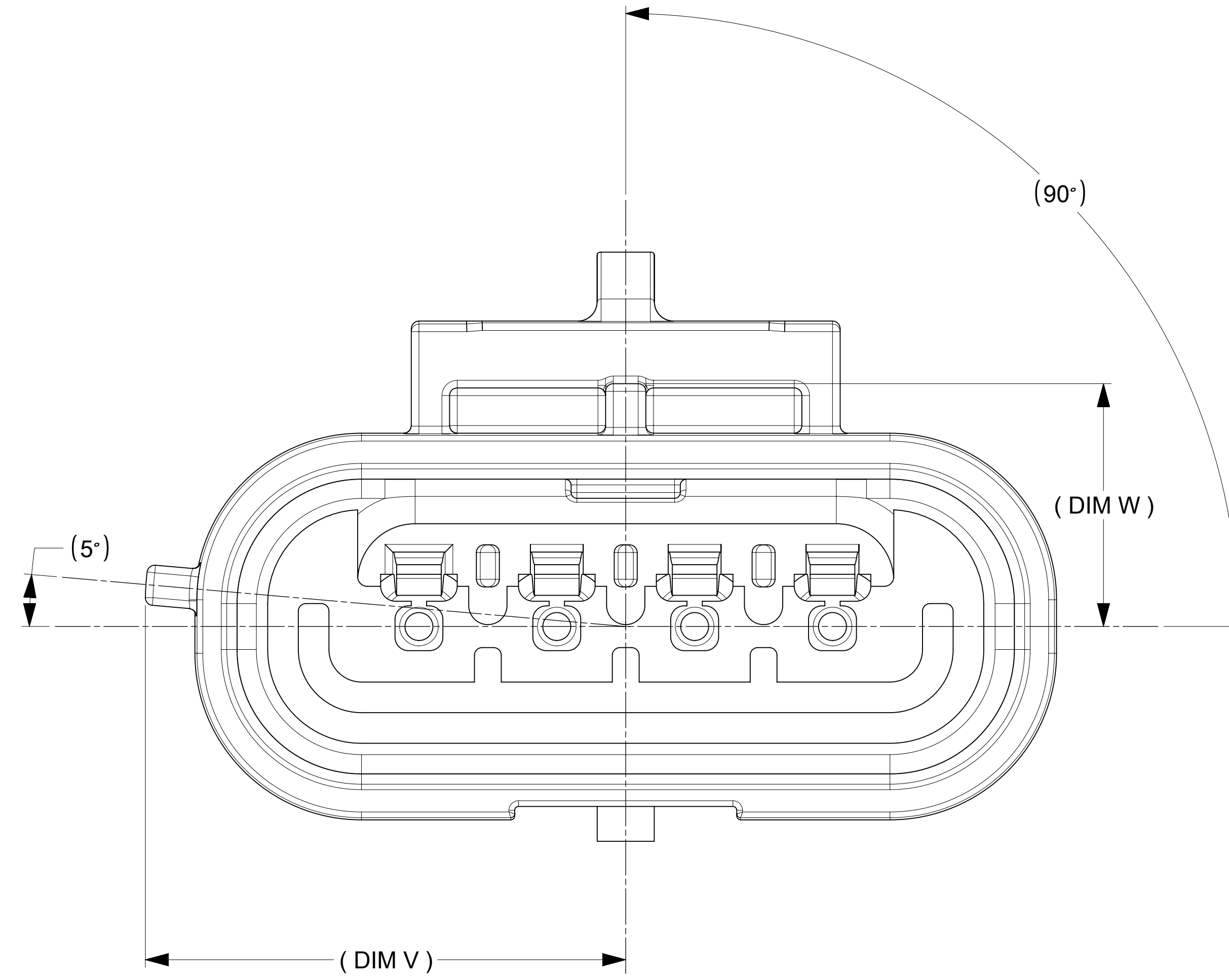
PRODUCT CUSTOMER DRAWING

| | | | |
|-----------------|----------|----------|----------|
| DOCUMENT NUMBER | DOC TYPE | DOC PART | REVISION |
| 2077780000-SD | PSD | 000 | E1 |

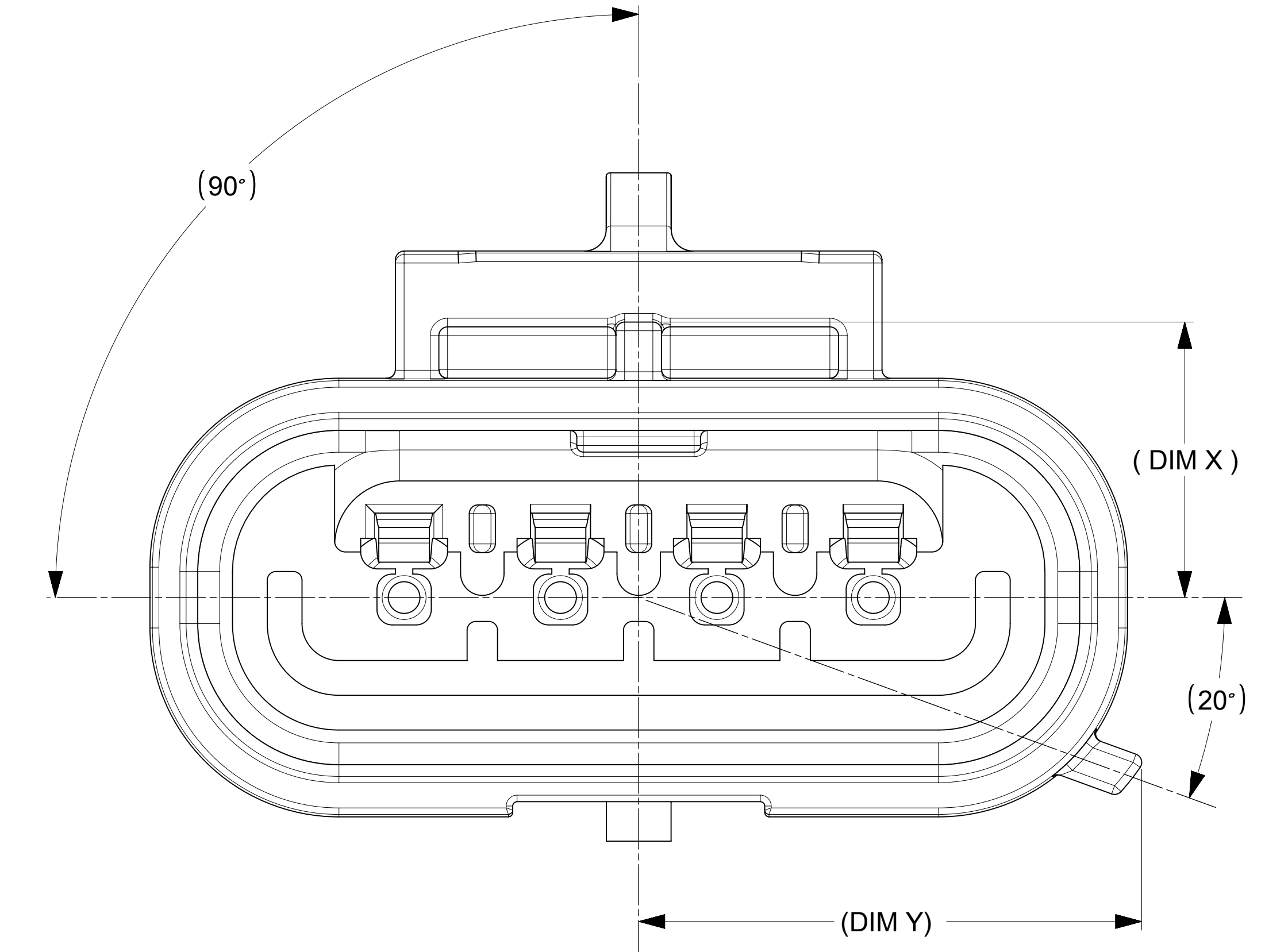
KEY G, BLUE COLOR (E1)



KEY H, GREEN COLOR (E1)



KEY I, MINT COLOR (E1)



CHARTED DIMENSIONS (E1)

| KEYS | KEY G BLUE | | KEY H GREEN | | KEY I MINT | |
|-------|---------------|------|----------------|------|---------------|-------|
| | T | U | V | W | X | Y |
| CKT 2 | 8.23 | 6.34 | 8.94 | 6.34 | 6.34 | 8.56 |
| CKT 3 | 9.61 | 6.34 | 10.75 | 6.34 | 6.34 | 10.10 |
| CKT 4 | 10.88 | 6.34 | 12.54 | 6.34 | 6.34 | 11.58 |

NOTE: KEYING CONFIGURATIONS WILL REMAIN SAME IN 2 & 3 CKT.

| | | | | | | | |
|--|---|------------------------|-------------------------------|--------|-----------------|-------------------|--------------|
| FUNCTIONAL SYMBOLS | THIS DRAWING CONTAINS INFORMATION THAT IS PROPRIETARY TO MOLEX ELECTRONIC TECHNOLOGIES, LLC AND SHOULD NOT BE USED WITHOUT WRITTEN PERMISSION | | | | | | |
| | DIMENSION UNITS | SCALE | | | | CURRENT REV DESC: | |
| $\nabla_A = 0$ | mm | 10:1 | EC NO: 792212 | | | | |
| $\nabla_E = 0$ | GENERAL TOLERANCES (UNLESS SPECIFIED) | | DRWN: KARTHG3 2024/03/05 | | | | |
| $\nabla_F = 0$ | ANGULAR TOL | ± ° | CHK'D: KARTHG3 2024/07/12 | | | | |
| DIVISIONAL SYMBOLS | 4 PLACES | ± | APPR: MRAMAKRISHNA 2024/07/15 | | | | |
| | 3 PLACES | ± | INITIAL REVISION: | | | | |
| | 2 PLACES | ± | DRWN: MUM 2019/01/30 | | | | |
| | 1 PLACE | ± 0.3 | APPR: NCSR 2019/07/03 | | | | |
| | 0 PLACES | ± | DRWN: MUM 2019/01/30 | | | | |
| DRAFT WHERE APPLICABLE MUST REMAIN WITHIN DIMENSIONS | | THIRD ANGLE PROJECTION | DRAWING | SERIES | MATERIAL NUMBER | CUSTOMER | SHEET NUMBER |
| | | | E-SIZE | 207778 | SEE TABLE | GENERAL MARKET | 4 OF 6 |

| | | | |
|--------------------------|----------|----------|----------|
| PLUG ASSEMBLY | | | |
| SQUBA 3.6 | | | |
| PRODUCT CUSTOMER DRAWING | | | |
| DOCUMENT NUMBER | DOC TYPE | DOC PART | REVISION |
| 2077780000-SD | PSD | 000 | E1 |

PART NUMBER DETAILS

| WITHOUT KEY P/N | WIRE STYLE | NO. OF CIRCUITS | KEYING CONFIGURATION | COLOR |
|---------------------|-------------------------------|-----------------|----------------------|---------|
| 2077780002 | UL1007 / UL1061 OR EQUIVALENT | 2 | NA | BLACK |
| 2077780003 | UL1007 / UL1061 OR EQUIVALENT | 3 | NA | BLACK |
| 2077780004 | UL1007 / UL1061 OR EQUIVALENT | 4 | NA | BLACK |
| 2077780005* | UL1007 / UL1061 OR EQUIVALENT | 5 | NA | BLACK |
| WITH KEY P/N | | | | |
| 2077780102 | UL1007 / UL1061 OR EQUIVALENT | 2 | 1 | RED |
| 2077780202 | UL1007 / UL1061 OR EQUIVALENT | 2 | 2 | NATURAL |
| 2077780302 | UL1007 / UL1061 OR EQUIVALENT | 2 | 3 | GRAY |
| 2077780402 | UL1007 / UL1061 OR EQUIVALENT | 2 | 4 | YELLOW |
| 2077780502 | UL1007 / UL1061 OR EQUIVALENT | 2 | 5 | BROWN |
| 2077780602 | UL1007 / UL1061 OR EQUIVALENT | 2 | 6 | ORANGE |
| 2077780702 | UL1007 / UL1061 OR EQUIVALENT | 2 | 7 | BLUE |
| 2077780802 | UL1007 / UL1061 OR EQUIVALENT | 2 | 8 | GREEN |
| 2077780902 | UL1007 / UL1061 OR EQUIVALENT | 2 | 9 | MINT |
| 2077780103 | UL1007 / UL1061 OR EQUIVALENT | 3 | 1 | RED |
| 2077780203 | UL1007 / UL1061 OR EQUIVALENT | 3 | 2 | NATURAL |
| 2077780303 | UL1007 / UL1061 OR EQUIVALENT | 3 | 3 | GRAY |
| 2077780403 | UL1007 / UL1061 OR EQUIVALENT | 3 | 4 | YELLOW |
| 2077780503 | UL1007 / UL1061 OR EQUIVALENT | 3 | 5 | BROWN |
| 2077780603 | UL1007 / UL1061 OR EQUIVALENT | 3 | 6 | ORANGE |
| 2077780703 | UL1007 / UL1061 OR EQUIVALENT | 3 | 7 | BLUE |
| 2077780803 | UL1007 / UL1061 OR EQUIVALENT | 3 | 8 | GREEN |
| 2077780903 | UL1007 / UL1061 OR EQUIVALENT | 3 | 9 | MINT |
| 2077780104 | UL1007 / UL1061 OR EQUIVALENT | 4 | 1 | RED |
| 2077780204 | UL1007 / UL1061 OR EQUIVALENT | 4 | 2 | NATURAL |
| 2077780304 | UL1007 / UL1061 OR EQUIVALENT | 4 | 3 | GRAY |
| 2077780404 | UL1007 / UL1061 OR EQUIVALENT | 4 | 4 | YELLOW |
| 2077780504 | UL1007 / UL1061 OR EQUIVALENT | 4 | 5 | BROWN |
| 2077780604 | UL1007 / UL1061 OR EQUIVALENT | 4 | 6 | ORANGE |
| 2077780704 | UL1007 / UL1061 OR EQUIVALENT | 4 | 7 | BLUE |
| 2077780804 | UL1007 / UL1061 OR EQUIVALENT | 4 | 8 | GREEN |
| 2077780904 | UL1007 / UL1061 OR EQUIVALENT | 4 | 9 | MINT |

PART NUMBER DETAILS

| WITH KEY AND CLIP SLOT P/N | WIRE STYLE | NO. OF CIRCUITS | KEYING CONFIGURATION | COLOR |
|----------------------------|-------------------------------|-----------------|----------------------|---------|
| 2077781102 | UL1007 / UL1061 OR EQUIVALENT | 2 | 1 | RED |
| 2077781202 | UL1007 / UL1061 OR EQUIVALENT | 2 | 2 | NATURAL |
| 2077781302 | UL1007 / UL1061 OR EQUIVALENT | 2 | 3 | GRAY |
| 2077781402 | UL1007 / UL1061 OR EQUIVALENT | 2 | 4 | YELLOW |
| 2077781502 | UL1007 / UL1061 OR EQUIVALENT | 2 | 5 | BROWN |
| 2077781602 | UL1007 / UL1061 OR EQUIVALENT | 2 | 6 | ORANGE |
| 2077781702 | UL1007 / UL1061 OR EQUIVALENT | 2 | 7 | BLUE |
| 2077781802 | UL1007 / UL1061 OR EQUIVALENT | 2 | 8 | GREEN |
| 2077781902 | UL1007 / UL1061 OR EQUIVALENT | 2 | 9 | MINT |
| 2077781103 | UL1007 / UL1061 OR EQUIVALENT | 3 | 1 | RED |
| 2077781203 | UL1007 / UL1061 OR EQUIVALENT | 3 | 2 | NATURAL |
| 2077781303 | UL1007 / UL1061 OR EQUIVALENT | 3 | 3 | GRAY |
| 2077781403 | UL1007 / UL1061 OR EQUIVALENT | 3 | 4 | YELLOW |
| 2077781503 | UL1007 / UL1061 OR EQUIVALENT | 3 | 5 | BROWN |
| 2077781603 | UL1007 / UL1061 OR EQUIVALENT | 3 | 6 | ORANGE |
| 2077781703 | UL1007 / UL1061 OR EQUIVALENT | 3 | 7 | BLUE |
| 2077781803 | UL1007 / UL1061 OR EQUIVALENT | 3 | 8 | GREEN |
| 2077781903 | UL1007 / UL1061 OR EQUIVALENT | 3 | 9 | MINT |
| 2077781104 | UL1007 / UL1061 OR EQUIVALENT | 4 | 1 | RED |
| 2077781204 | UL1007 / UL1061 OR EQUIVALENT | 4 | 2 | NATURAL |
| 2077781304 | UL1007 / UL1061 OR EQUIVALENT | 4 | 3 | GRAY |
| 2077781404 | UL1007 / UL1061 OR EQUIVALENT | 4 | 4 | YELLOW |
| 2077781504 | UL1007 / UL1061 OR EQUIVALENT | 4 | 5 | BROWN |
| 2077781604 | UL1007 / UL1061 OR EQUIVALENT | 4 | 6 | ORANGE |
| 2077781704 | UL1007 / UL1061 OR EQUIVALENT | 4 | 7 | BLUE |
| 2077781804 | UL1007 / UL1061 OR EQUIVALENT | 4 | 8 | GREEN |
| 2077781904 | UL1007 / UL1061 OR EQUIVALENT | 4 | 9 | MINT |

*Note: Part number containing * are not tooled

PART NUMBER LOGIC

207778 - X X X X

CIRCUITE SIZE

0 = UL1007/1061 COMPATIBLE
1 = UL1015 / UL1230 COMPATIBLE

1 - 9 KEYS

1 = CLIP SLOT / WITH PANEL MOUNT
0 = NON-CLIP SLOT / WITHOUT PANEL MOUNT

SERIES NUMBERS

| | | | | | | | |
|--|---|------------------------|--------------------------|------------|----------------------------|----------|--------------|
| FUNCTIONAL SYMBOLS | THIS DRAWING CONTAINS INFORMATION THAT IS PROPRIETARY TO MOLEX ELECTRONIC TECHNOLOGIES, LLC AND SHOULD NOT BE USED WITHOUT WRITTEN PERMISSION | | <h1>molex</h1> | | | | |
| | DIMENSION UNITS | SCALE | | | PLUG ASSEMBLY SQUBA 3.6 | | |
| ∇ = 0 | mm | 1:1 | PRODUCT CUSTOMER DRAWING | | | | |
| ∇ = 0 | GENERAL TOLERANCES (UNLESS SPECIFIED) | | | | DOCUMENT NUMBER | DOC TYPE | DOC PART |
| ∇ = 0 | ANGULAR TOL | ± ° | 2077780000-SD | PSD | 000 | E1 | |
| DIVISIONAL SYMBOLS | 4 PLACES | ± | INITIAL REVISION: | | | | |
| | 3 PLACES | ± | DRWN: MUM | 2019/01/30 | | | |
| | 2 PLACES | ± | APPR: NCSR | 2019/07/03 | | | |
| | 1 PLACE | ± 0.3 | | | | | |
| 0 PLACES | ± | | | | | | |
| DRAFT WHERE APPLICABLE MUST REMAIN WITHIN DIMENSIONS | | THIRD ANGLE PROJECTION | DRAWING | SERIES | MATERIAL NUMBER | CUSTOMER | SHEET NUMBER |
| | | | E-SIZE | 207778 | GENERAL MARKET | | 5 OF 6 |

PART NUMBER DETAILS

| WITHOUT KEY P/N | WIRE STYLE | NO. OF CIRCUITS | KEYING CONFIGURATION | COLOR |
|-----------------|-------------------------------|-----------------|----------------------|---------|
| 2077780012 | UL1015 / UL1230 OR EQUIVALENT | 2 | NA | BLACK |
| 2077780013 | UL1015 / UL1230 OR EQUIVALENT | 3 | NA | BLACK |
| 2077780014 | UL1015 / UL1230 OR EQUIVALENT | 4 | NA | BLACK |
| WITH KEY P/N | | | | |
| 2077780112 | UL1015 / UL1230 OR EQUIVALENT | 2 | 1 | RED |
| 2077780212 | UL1015 / UL1230 OR EQUIVALENT | 2 | 2 | NATURAL |
| 2077780312 | UL1015 / UL1230 OR EQUIVALENT | 2 | 3 | GRAY |
| 2077780412 | UL1015 / UL1230 OR EQUIVALENT | 2 | 4 | YELLOW |
| 2077780512 | UL1015 / UL1230 OR EQUIVALENT | 2 | 5 | BROWN |
| 2077780612 | UL1015 / UL1230 OR EQUIVALENT | 2 | 6 | ORANGE |
| 2077780712 | UL1015 / UL1230 OR EQUIVALENT | 2 | 7 | BLUE |
| 2077780812 | UL1015 / UL1230 OR EQUIVALENT | 2 | 8 | GREEN |
| 2077780912 | UL1015 / UL1230 OR EQUIVALENT | 2 | 9 | MINT |
| 2077780113 | UL1015 / UL1230 OR EQUIVALENT | 3 | 1 | RED |
| 2077780213 | UL1015 / UL1230 OR EQUIVALENT | 3 | 2 | NATURAL |
| 2077780313 | UL1015 / UL1230 OR EQUIVALENT | 3 | 3 | GRAY |
| 2077780413 | UL1015 / UL1230 OR EQUIVALENT | 3 | 4 | YELLOW |
| 2077780513 | UL1015 / UL1230 OR EQUIVALENT | 3 | 5 | BROWN |
| 2077780613 | UL1015 / UL1230 OR EQUIVALENT | 3 | 6 | ORANGE |
| 2077780713 | UL1015 / UL1230 OR EQUIVALENT | 3 | 7 | BLUE |
| 2077780813 | UL1015 / UL1230 OR EQUIVALENT | 3 | 8 | GREEN |
| 2077780913 | UL1015 / UL1230 OR EQUIVALENT | 3 | 9 | MINT |
| 2077780114 | UL1015 / UL1230 OR EQUIVALENT | 4 | 1 | RED |
| 2077780214 | UL1015 / UL1230 OR EQUIVALENT | 4 | 2 | NATURAL |
| 2077780314 | UL1015 / UL1230 OR EQUIVALENT | 4 | 3 | GRAY |
| 2077780414 | UL1015 / UL1230 OR EQUIVALENT | 4 | 4 | YELLOW |
| 2077780514 | UL1015 / UL1230 OR EQUIVALENT | 4 | 5 | BROWN |
| 2077780614 | UL1015 / UL1230 OR EQUIVALENT | 4 | 6 | ORANGE |
| 2077780714 | UL1015 / UL1230 OR EQUIVALENT | 4 | 7 | BLUE |
| 2077780814 | UL1015 / UL1230 OR EQUIVALENT | 4 | 8 | GREEN |
| 2077780914 | UL1015 / UL1230 OR EQUIVALENT | 4 | 9 | MINT |

PART NUMBER DETAILS

| WITH KEY AND CLIP SLOT P/N | WIRE STYLE | NO. OF CIRCUITS | KEYING CONFIGURATION | COLOR |
|----------------------------|-------------------------------|-----------------|----------------------|---------|
| 2077781112 | UL1015 / UL1230 OR EQUIVALENT | 2 | 1 | RED |
| 2077781212 | UL1015 / UL1230 OR EQUIVALENT | 2 | 2 | NATURAL |
| 2077781312 | UL1015 / UL1230 OR EQUIVALENT | 2 | 3 | GRAY |
| 2077781412 | UL1015 / UL1230 OR EQUIVALENT | 2 | 4 | YELLOW |
| 2077781512 | UL1015 / UL1230 OR EQUIVALENT | 2 | 5 | BROWN |
| 2077781612 | UL1015 / UL1230 OR EQUIVALENT | 2 | 6 | ORANGE |
| 2077781712 | UL1015 / UL1230 OR EQUIVALENT | 2 | 7 | BLUE |
| 2077781812 | UL1015 / UL1230 OR EQUIVALENT | 2 | 8 | GREEN |
| 2077781912 | UL1015 / UL1230 OR EQUIVALENT | 2 | 9 | MINT |
| 2077781113 | UL1015 / UL1230 OR EQUIVALENT | 3 | 1 | RED |
| 2077781213 | UL1015 / UL1230 OR EQUIVALENT | 3 | 2 | NATURAL |
| 2077781313 | UL1015 / UL1230 OR EQUIVALENT | 3 | 3 | GRAY |
| 2077781413 | UL1015 / UL1230 OR EQUIVALENT | 3 | 4 | YELLOW |
| 2077781513 | UL1015 / UL1230 OR EQUIVALENT | 3 | 5 | BROWN |
| 2077781613 | UL1015 / UL1230 OR EQUIVALENT | 3 | 6 | ORANGE |
| 2077781713 | UL1015 / UL1230 OR EQUIVALENT | 3 | 7 | BLUE |
| 2077781813 | UL1015 / UL1230 OR EQUIVALENT | 3 | 8 | GREEN |
| 2077781913 | UL1015 / UL1230 OR EQUIVALENT | 3 | 9 | MINT |
| 2077781114 | UL1015 / UL1230 OR EQUIVALENT | 4 | 1 | RED |
| 2077781214 | UL1015 / UL1230 OR EQUIVALENT | 4 | 2 | NATURAL |
| 2077781314 | UL1015 / UL1230 OR EQUIVALENT | 4 | 3 | GRAY |
| 2077781414 | UL1015 / UL1230 OR EQUIVALENT | 4 | 4 | YELLOW |
| 2077781514 | UL1015 / UL1230 OR EQUIVALENT | 4 | 5 | BROWN |
| 2077781614 | UL1015 / UL1230 OR EQUIVALENT | 4 | 6 | ORANGE |
| 2077781714 | UL1015 / UL1230 OR EQUIVALENT | 4 | 7 | BLUE |
| 2077781814 | UL1015 / UL1230 OR EQUIVALENT | 4 | 8 | GREEN |
| 2077781914 | UL1015 / UL1230 OR EQUIVALENT | 4 | 9 | MINT |

PART NUMBER LOGIC

207778 - X X X X

CIRCUITE SIZE

0 = UL1007/1061 COMPATIBLE
1 = UL1015 / UL1230 COMPATIBLE

1 - 9 KEYS

1 = CLIP SLOT / WITH PANEL MOUNT
0 = NON-CLIP SLOT / WITHOUT PANEL MOUNT

SERIES NUMBERS

| | | | | | |
|--|---|---|--|--|--|
| FUNCTIONAL SYMBOLS | | THIS DRAWING CONTAINS INFORMATION THAT IS PROPRIETARY TO MOLEX ELECTRONIC TECHNOLOGIES, LLC AND SHOULD NOT BE USED WITHOUT WRITTEN PERMISSION | | <h1>molex</h1> | |
| ∇ = 0 ∇ = 0 ∇ = 0 | DIMENSION UNITS: mm SCALE: 1:1 | CURRENT REV DESC: | | | |
| DIVISIONAL SYMBOLS | | GENERAL TOLERANCES (UNLESS SPECIFIED) | | PLUG ASSEMBLY SQUBA 3.6 | |
| ANGULAR TOL \pm ° 4 PLACES \pm 3 PLACES \pm 2 PLACES \pm 1 PLACE \pm 0.3 0 PLACES \pm | | EC NO: 792212 DRWN: KARTHG3 CHK'D: KARTHG3 APPR: MRAMAKRISHNA | | | |
| DRAFT WHERE APPLICABLE MUST REMAIN WITHIN DIMENSIONS | | THIRD ANGLE PROJECTION | | PRODUCT CUSTOMER DRAWING DOCUMENT NUMBER: 2077780000-SD DOC TYPE: PSD DOC PART: 000 REVISION: E1 | |
| E-SIZE | | SERIES: 207778 | | MATERIAL NUMBER: GENERAL MARKET CUSTOMER: GENERAL MARKET SHEET NUMBER: 6 OF 6 | |