

# Switch Mode Power Rectifiers

## MBR8H100MFS, NRVB8H100MFS

### Features

- Low Power Loss / High Efficiency
- New Package Provides Capability of Inspection and Probe After Board Mounting
- Guardring for Stress Protection
- Low Forward Voltage Drop
- 175°C Operating Junction Temperature
- WF Suffix for Products with Wetttable Flanks
- NRVB Prefix for Automotive and Other Applications Requiring Unique Site and Control Change Requirements; AEC-Q101 Qualified and PPAP Capable
- These are Pb-Free Devices

### Mechanical Characteristics:

- Case: Epoxy, Molded
- Epoxy Meets Flammability Rating UL 94-0 @ 0.125 in.
- Lead Finish: 100% Matte Sn (Tin)
- Lead and Mounting Surface Temperature for Soldering Purposes: 260°C Max. for 10 Seconds
- Device Meets MSL 1 Requirements

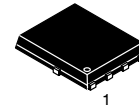
### MAXIMUM RATINGS

| Rating  | Symbol                          | Value       | Unit |
|---|---------------------------------|-------------|------|
| Peak Repetitive Reverse Voltage<br>Working Peak Reverse Voltage<br>DC Blocking Voltage                            | $V_{RRM}$<br>$V_{RWM}$<br>$V_R$ | 100         | V    |
| Average Rectified Forward Current<br>(Rated $V_R$ , $T_C = 165^\circ\text{C}$ )                                   | $I_{F(AV)}$                     | 8.0         | A    |
| Peak Repetitive Forward Current,<br>(Rated $V_R$ , Square Wave,<br>20 kHz, $T_C = 162^\circ\text{C}$ )            | $I_{FRM}$                       | 16          | A    |
| Non-Repetitive Peak Surge Current<br>(Surge Applied at Rated Load<br>Conditions Halfwave, Single<br>Phase, 60 Hz) | $I_{FSM}$                       | 75          | A    |
| Storage Temperature Range   | $T_{stg}$                       | -65 to +175 | °C   |
| Operating Junction Temperature  | $T_J$                           | -55 to +175 | °C   |
| Unclamped Inductive Switching<br>Energy (10 mH Inductor,<br>Non-repetitive)                                       | $E_{AS}$                        | 75          | mJ   |
| ESD Rating (Human Body Model)   |                                 | 3B          |      |
| ESD Rating (Machine Model)  |                                 | M4          |      |

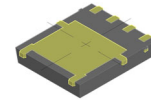
Stresses exceeding those listed in the Maximum Ratings table may damage the device. If any of these limits are exceeded, device functionality should not be assumed, damage may occur and reliability may be affected.

NOTE: The heat generated must be less than the thermal conductivity from Junction-to-Ambient:  $dPD/dT_J < 1/RJA$

## SCHOTTKY BARRIER RECTIFIERS 8 AMPERES 100 VOLTS



SO-8 FLAT LEAD  
CASE 488AA  
STYLE 2



(FULL-CUT SO8FL WF)  
CASE 507BA  
DFNW5

### MARKING DIAGRAM



B8H100 = Specific Device Code  
A = Assembly Location  
Y = Year  
W = Work Week  
ZZ = Lot Traceability

### ORDERING INFORMATION

| Device            | Package              | Shipping <sup>†</sup> |
|-------------------|----------------------|-----------------------|
| MBR8H100MFST1G    | SO-8 FL<br>(Pb-Free) | 1500 /<br>Tape & Reel |
| NRVB8H100MFSWFT1G | SO-8 FL<br>(Pb-Free) | 1500 /<br>Tape & Reel |
| NRVB8H100MFSWFT3G | SO-8 FL<br>(Pb-Free) | 5000 /<br>Tape & Reel |

### DISCONTINUED (Note 1)

|                 |                      |                       |
|-----------------|----------------------|-----------------------|
| MBR8H100MFST3G  | SO-8 FL<br>(Pb-Free) | 5000 /<br>Tape & Reel |
| NRVB8H100MFST1G | SO-8 FL<br>(Pb-Free) | 1500 /<br>Tape & Reel |
| NRVB8H100MFST3G | SO-8 FL<br>(Pb-Free) | 5000 /<br>Tape & Reel |

<sup>†</sup>For information on tape and reel specifications, including part orientation and tape sizes, please refer to our Tape and Reel Packaging Specification Brochure, BRD8011/D.

1. **DISCONTINUED:** These devices are not recommended for new design. Please contact your onsemi representative for information. The most current information on these devices may be available on [www.onsemi.com](http://www.onsemi.com).

# MBR8H100MFS, NRVB8H100MFS

## THERMAL CHARACTERISTICS

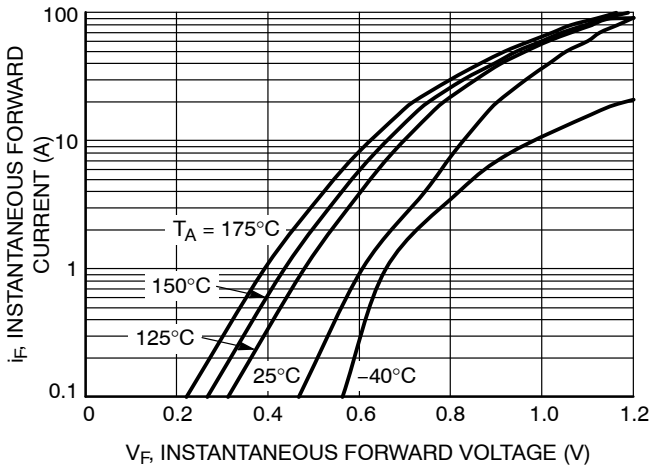
| Characteristic   | Symbol           | Typ | Max  | Unit |
|--|------------------|-----|------|------|
| Thermal Resistance, Junction-to-Case, Steady State<br>(Assumes 600 mm <sup>2</sup> 1 oz. copper bond pad, on a FR4 board) (Note 2) | R <sub>θJC</sub> | -   | 2.2  | °C/W |
| Thermal Resistance, Junction-to-Ambient, Steady State (Note 2)   | R <sub>θJA</sub> | -   | 53.1 | °C/W |

## ELECTRICAL CHARACTERISTICS

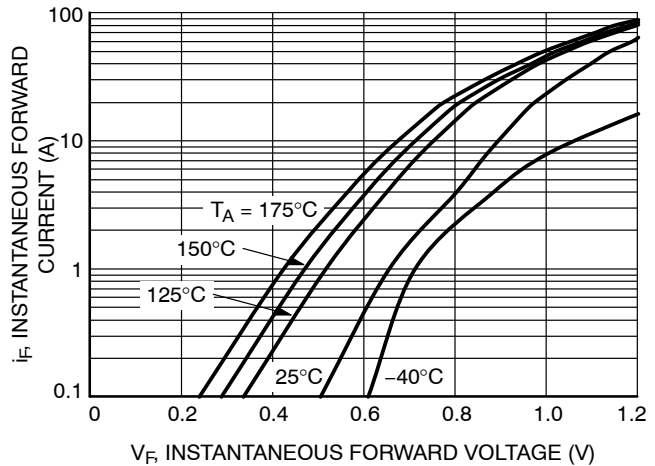
|   |                |              |              |    |
|---|----------------|--------------|--------------|----|
| Instantaneous Forward Voltage (Note 1)<br>(i <sub>F</sub> = 8 Amps, T <sub>J</sub> = 125°C)<br>(i <sub>F</sub> = 8 Amps, T <sub>J</sub> = 25°C) | V <sub>F</sub> | 0.68<br>0.81 | 0.76<br>0.90 | V  |
| Instantaneous Reverse Current (Note 1)<br>(Rated dc Voltage, T <sub>J</sub> = 125°C)<br>(Rated dc Voltage, T <sub>J</sub> = 25°C)               | i <sub>R</sub> | 180<br>0.06  | 300<br>2     | μA |

1. Pulse Test: Pulse Width = 300 μs, Duty Cycle ≤ 2.0%.
2. Surface-mounted on FR4 board using a 650 mm<sup>2</sup>, 1 oz. Cu pad.

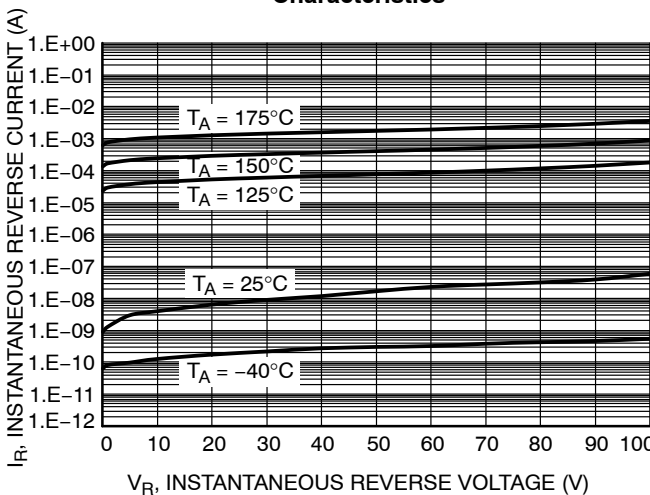
## TYPICAL CHARACTERISTICS



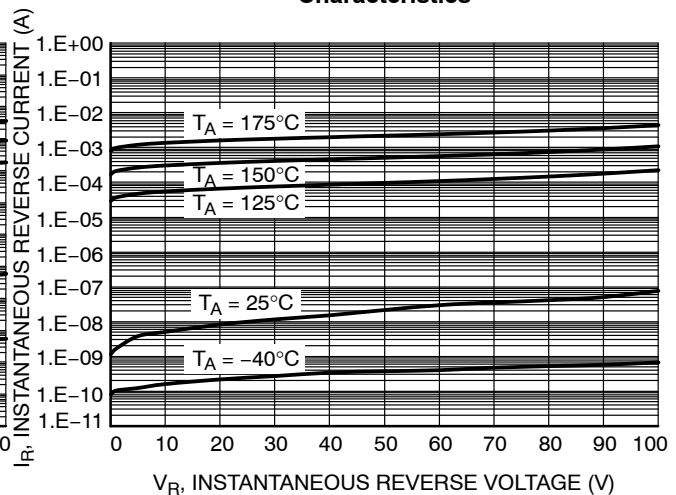
**Figure 1. Typical Instantaneous Forward Characteristics**



**Figure 2. Maximum Instantaneous Forward Characteristics**



**Figure 3. Typical Reverse Characteristics**



**Figure 4. Maximum Reverse Characteristics**

# MBR8H100MFS, NRVB8H100MFS

## TYPICAL CHARACTERISTICS

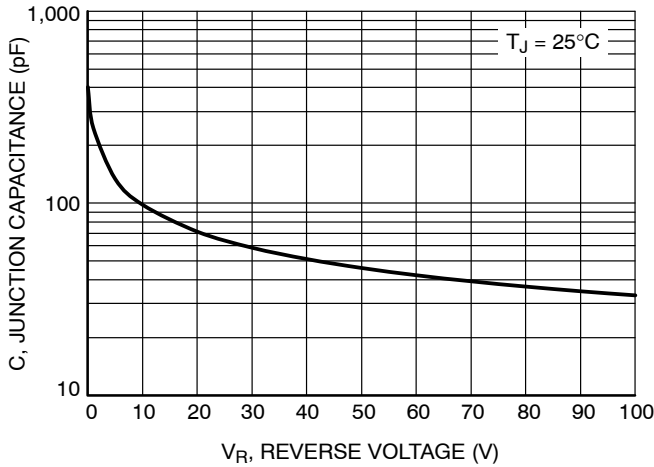


Figure 5. Typical Junction Capacitance

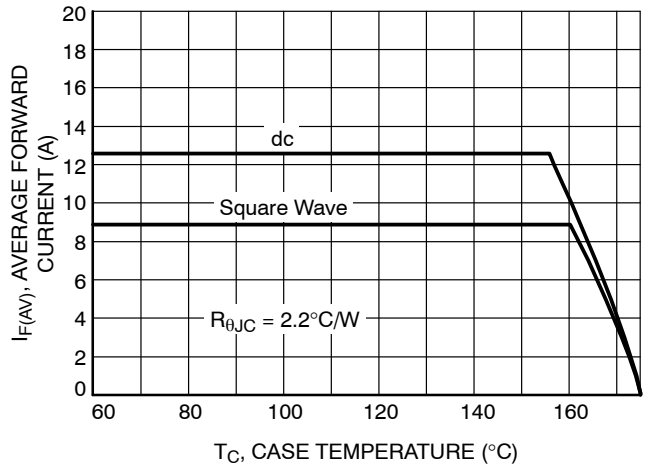


Figure 6. Current Derating

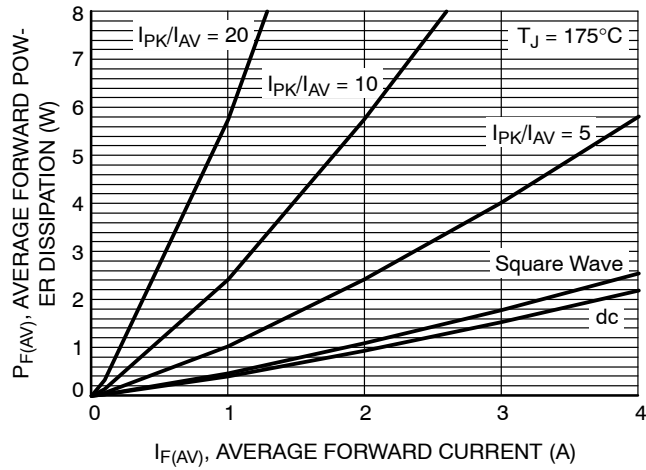


Figure 7. Forward Power Dissipation

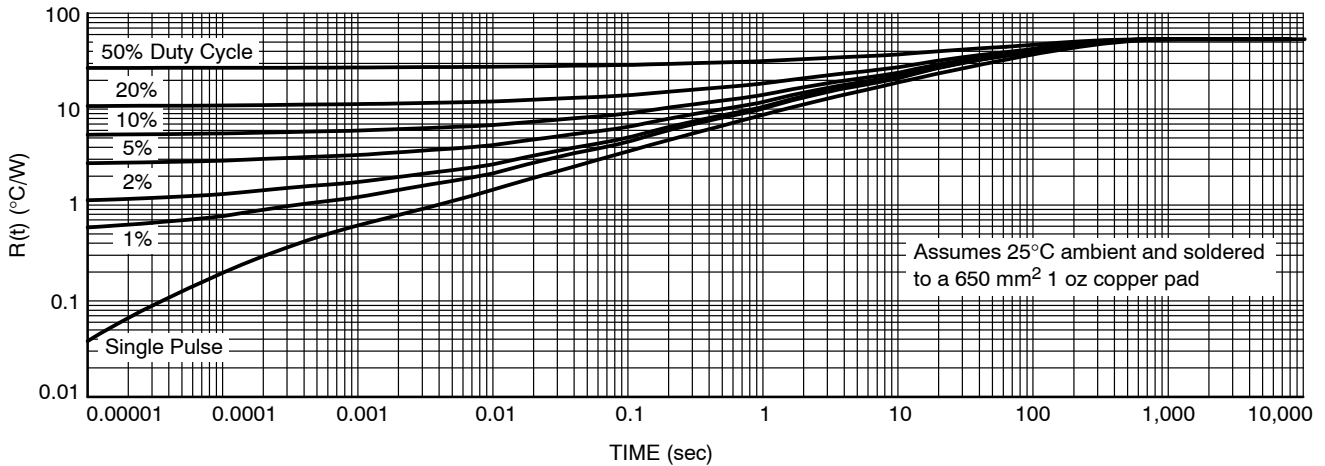
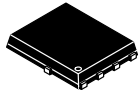


Figure 8. Thermal Response

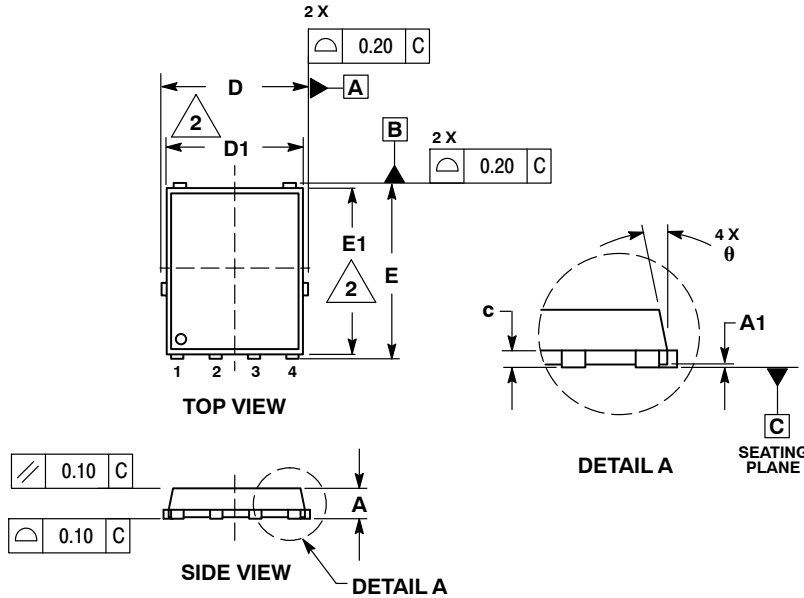
# MECHANICAL CASE OUTLINE PACKAGE DIMENSIONS



1  
SCALE 2:1

DFN5 5x6, 1.27P  
(SO-8FL)  
CASE 488AA  
ISSUE N

DATE 25 JUN 2018

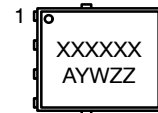


NOTES:

1. DIMENSIONING AND TOLERANCING PER ASME Y14.5M, 1994.
2. CONTROLLING DIMENSION: MILLIMETER.
3. DIMENSION D1 AND E1 DO NOT INCLUDE MOLD FLASH PROTRUSIONS OR GATE BURRS.

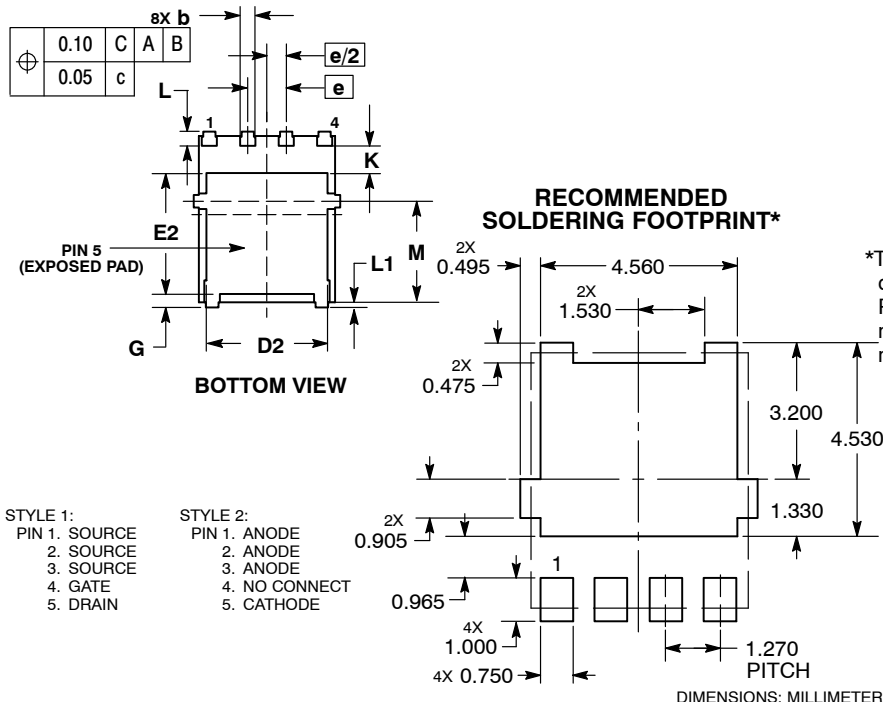
| DIM | MILLIMETERS |       |      |
|-----|-------------|-------|------|
|     | MIN         | NOM   | MAX  |
| A   | 0.90        | 1.00  | 1.10 |
| A1  | 0.00        | ---   | 0.05 |
| b   | 0.33        | 0.41  | 0.51 |
| c   | 0.23        | 0.28  | 0.33 |
| D   | 5.00        | 5.15  | 5.30 |
| D1  | 4.70        | 4.90  | 5.10 |
| D2  | 3.80        | 4.00  | 4.20 |
| E   | 6.00        | 6.15  | 6.30 |
| E1  | 5.70        | 5.90  | 6.10 |
| E2  | 3.45        | 3.65  | 3.85 |
| e   | 1.27 BSC    |       |      |
| G   | 0.51        | 0.575 | 0.71 |
| K   | 1.20        | 1.35  | 1.50 |
| L   | 0.51        | 0.575 | 0.71 |
| L1  | 0.125 REF   |       |      |
| M   | 3.00        | 3.40  | 3.80 |
| θ   | 0°          | ---   | 12°  |

### GENERIC MARKING DIAGRAM\*



- XXXXXX = Specific Device Code
- A = Assembly Location
- Y = Year
- W = Work Week
- ZZ = Lot Traceability

\*This information is generic. Please refer to device data sheet for actual part marking. Pb-Free indicator, "G" or microdot "•", may or may not be present. Some products may not follow the Generic Marking.



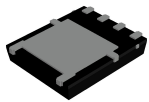
- STYLE 1:  
PIN 1. SOURCE  
2. SOURCE  
3. SOURCE  
4. GATE  
5. DRAIN
- STYLE 2:  
PIN 1. ANODE  
2. ANODE  
3. ANODE  
4. NO CONNECT  
5. CATHODE

DIMENSIONS: MILLIMETERS

\*For additional information on our Pb-Free strategy and soldering details, please download the ON Semiconductor Soldering and Mounting Techniques Reference Manual, SOLDERRM/D.

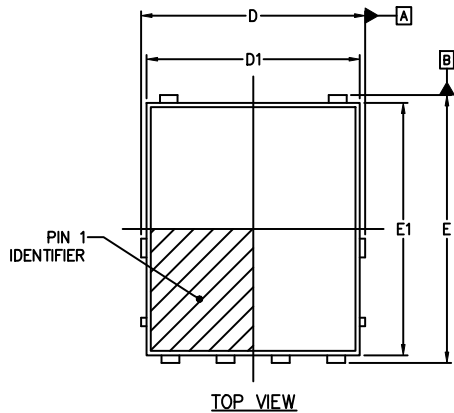
|                  |                          |  |
|------------------|--------------------------|--|
| DOCUMENT NUMBER: | 98AON14036D              | Electronic versions are uncontrolled except when accessed directly from the Document Repository. Printed versions are uncontrolled except when stamped "CONTROLLED COPY" in red. |
| DESCRIPTION:     | DFN5 5x6, 1.27P (SO-8FL) | PAGE 1 OF 1  |

onsemi and ONSEMI are trademarks of Semiconductor Components Industries, LLC dba onsemi or its subsidiaries in the United States and/or other countries. onsemi reserves the right to make changes without further notice to any products herein. onsemi makes no warranty, representation or guarantee regarding the suitability of its products for any particular purpose, nor does onsemi assume any liability arising out of the application or use of any product or circuit, and specifically disclaims any and all liability, including without limitation special, consequential or incidental damages. onsemi does not convey any license under its patent rights nor the rights of others.

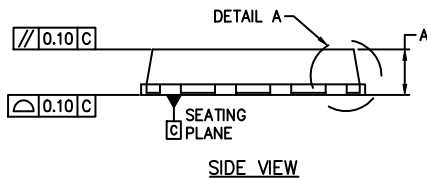


DFNW5 4.90x5.90x1.00, 1.27P  
CASE 507BA  
ISSUE B

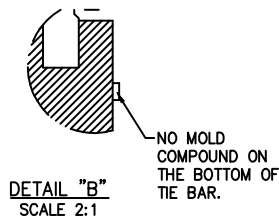
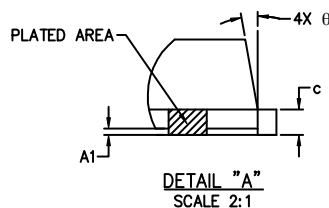
DATE 15 JUL 2024



TOP VIEW



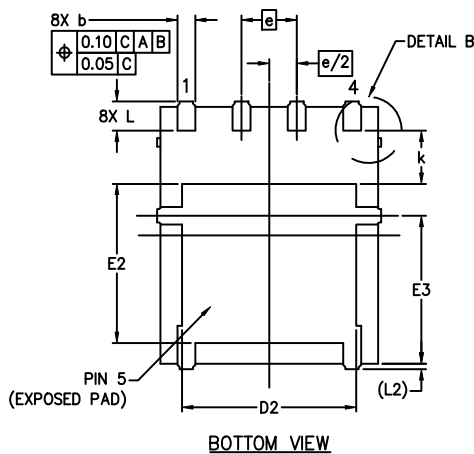
SIDE VIEW



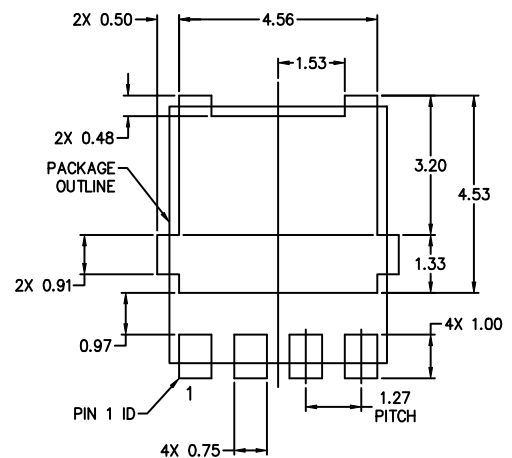
NOTES:

1. DIMENSIONING AND TOLERANCING CONFORM TO ASME Y14.5M-2018.
2. ALL DIMENSIONS ARE IN MILLIMETERS.
3. DIMENSIONS D1 AND E1 DO NOT INCLUDE MOLD FLASH, PROTRUSIONS, OR GATE BURRS.
4. THIS PACKAGE CONTAINS WETTABLE FLANK DESIGN FEATURES TO AID IN FILLET FORMATION ON THE LEADS DURING MOUNTING.

| DIM   | MILLIMETERS |      |      |
|-------|-------------|------|------|
|       | MIN         | NOM  | MAX  |
| A     | 0.90        | 1.00 | 1.10 |
| A1    | 0.00        | 0.25 | 0.05 |
| b     | 0.33        | 0.41 | 0.51 |
| c     | 0.23        | 0.28 | 0.33 |
| D     | 5.00        | 5.15 | 5.30 |
| D1    | 4.70        | 4.90 | 5.10 |
| D2    | 3.80        | 4.00 | 4.20 |
| E     | 6.00        | 6.15 | 6.30 |
| E1    | 5.70        | 5.90 | 6.10 |
| E2    | 3.45        | 3.65 | 3.85 |
| E3    | 3.00        | 3.40 | 3.80 |
| e     | 1.27 BSC    |      |      |
| k     | 1.20        | 1.35 | 1.50 |
| L     | 0.51        | 0.57 | 0.71 |
| L2    | 0.15 REF.   |      |      |
| theta | 0°          | 6°   | 12°  |



BOTTOM VIEW



RECOMMENDED MOUNTING FOOTPRINT\*  
\*FOR ADDITIONAL INFORMATION ON OUR Pb-FREE STRATEGY AND SOLDERING DETAILS, PLEASE DOWNLOAD THE ONSEMI SOLDERING AND MOUNTING TECHNIQUES REFERENCE MANUAL, SOLDERRM/D.

GENERIC MARKING DIAGRAM\*



XXXXXX = Specific Device Code  
A = Assembly Location  
Y = Year  
W = Work Week  
ZZ = Lot Traceability

\*This information is generic. Please refer to device data sheet for actual part marking. Pb-Free indicator, "G" or microdot "•", may or may not be present. Some products may not follow the Generic Marking.

|                  |                             |  |
|------------------|-----------------------------|--|
| DOCUMENT NUMBER: | 98AON26450H                 | Electronic versions are uncontrolled except when accessed directly from the Document Repository. Printed versions are uncontrolled except when stamped "CONTROLLED COPY" in red. |
| DESCRIPTION:     | DFNW5 4.90x5.90x1.00, 1.27P | PAGE 1 OF 1  |

onsemi and ONSEMI are trademarks of Semiconductor Components Industries, LLC dba onsemi or its subsidiaries in the United States and/or other countries. onsemi reserves the right to make changes without further notice to any products herein. onsemi makes no warranty, representation or guarantee regarding the suitability of its products for any particular purpose, nor does onsemi assume any liability arising out of the application or use of any product or circuit, and specifically disclaims any and all liability, including without limitation special, consequential or incidental damages. onsemi does not convey any license under its patent rights nor the rights of others.

**onsemi**, **Onsemi**, and other names, marks, and brands are registered and/or common law trademarks of Semiconductor Components Industries, LLC dba "**onsemi**" or its affiliates and/or subsidiaries in the United States and/or other countries. **onsemi** owns the rights to a number of patents, trademarks, copyrights, trade secrets, and other intellectual property. A listing of **onsemi**'s product/patent coverage may be accessed at [www.onsemi.com/site/pdf/Patent-Marking.pdf](http://www.onsemi.com/site/pdf/Patent-Marking.pdf). **onsemi** reserves the right to make changes at any time to any products or information herein, without notice. The information herein is provided "as-is" and **onsemi** makes no warranty, representation or guarantee regarding the accuracy of the information, product features, availability, functionality, or suitability of its products for any particular purpose, nor does **onsemi** assume any liability arising out of the application or use of any product or circuit, and specifically disclaims any and all liability, including without limitation special, consequential or incidental damages. Buyer is responsible for its products and applications using **onsemi** products, including compliance with all laws, regulations and safety requirements or standards, regardless of any support or applications information provided by **onsemi**. "Typical" parameters which may be provided in **onsemi** data sheets and/or specifications can and do vary in different applications and actual performance may vary over time. All operating parameters, including "Typicals" must be validated for each customer application by customer's technical experts. **onsemi** does not convey any license under any of its intellectual property rights nor the rights of others. **onsemi** products are not designed, intended, or authorized for use as a critical component in life support systems or any FDA Class 3 medical devices or medical devices with a same or similar classification in a foreign jurisdiction or any devices intended for implantation in the human body. Should Buyer purchase or use **onsemi** products for any such unintended or unauthorized application, Buyer shall indemnify and hold **onsemi** and its officers, employees, subsidiaries, affiliates, and distributors harmless against all claims, costs, damages, and expenses, and reasonable attorney fees arising out of, directly or indirectly, any claim of personal injury or death associated with such unintended or unauthorized use, even if such claim alleges that **onsemi** was negligent regarding the design or manufacture of the part. **onsemi** is an Equal Opportunity/Affirmative Action Employer. This literature is subject to all applicable copyright laws and is not for resale in any manner.

## ADDITIONAL INFORMATION

### TECHNICAL PUBLICATIONS:

Technical Library: [www.onsemi.com/design/resources/technical-documentation](http://www.onsemi.com/design/resources/technical-documentation)  
onsemi Website: [www.onsemi.com](http://www.onsemi.com)

### ONLINE SUPPORT: [www.onsemi.com/support](http://www.onsemi.com/support)

For additional information, please contact your local Sales Representative at [www.onsemi.com/support/sales](http://www.onsemi.com/support/sales)