

Product data sheet

Power connectors

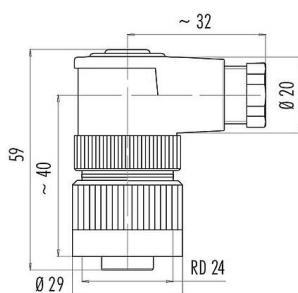


Product description	RD24 Female angled connector, Contacts: 6+PE, 6.0-8.0 mm, unshielded, screw clamp, IP67, PG 9
Area	series 692
Part no.	99 0218 70 07

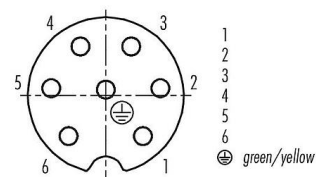
Illustration



Scale drawing



Contact arrangement (Plug-in side)



You can find the assembly instructions on the next page.

Technical data

General features

Part no.	99 0218 70 07
Connector design	Female angled connector
Version	Connector socket angled
Connector locking system	screw
Termination	screw clamp
Degree of protection	IP67
Cross-sectional area	IP65 with cable diameter 6-7 mm
Cable outlet	max. 1.50 mm ² / AWG 16
Twistability	6.0-8.0 mm
Temperature range from/to	45° (8 coding options)
Mechanical operation	-40 °C / 100 °C
Weight (g)	> 500 Mating cycles
Customs tariff number	42.48
Country of Origin	85369010
	DE

Electrical parameters

Rated voltage	250 V
Rated impulse voltage	4000 V
Rated current	10.0 A
Insulation resistance	≥ 10 ¹⁰ Ω
Pollution degree	3
Overvoltage category	III
Insulating material group	III
EMC compliance	unshielded

Product data sheet

Power connectors



Product description	RD24 Female angled connector, Contacts: 6+PE, 6.0-8.0 mm, unshielded, screw clamp, IP67, PG 9
Area	series 692
Part no.	99 0218 70 07

Material

Contact body material	PBT (UL94 V-0)
Contact material	CuSn (bronze)
Contact plating	Ag (silver)
REACH SVHC	CAS 96-45-7 (Imidazolidine-2-thione) CAS 7439-92-1 (Lead)
SCIP number	957dda80-501e-4f19-b62d-d4d872978ab1

Classifications

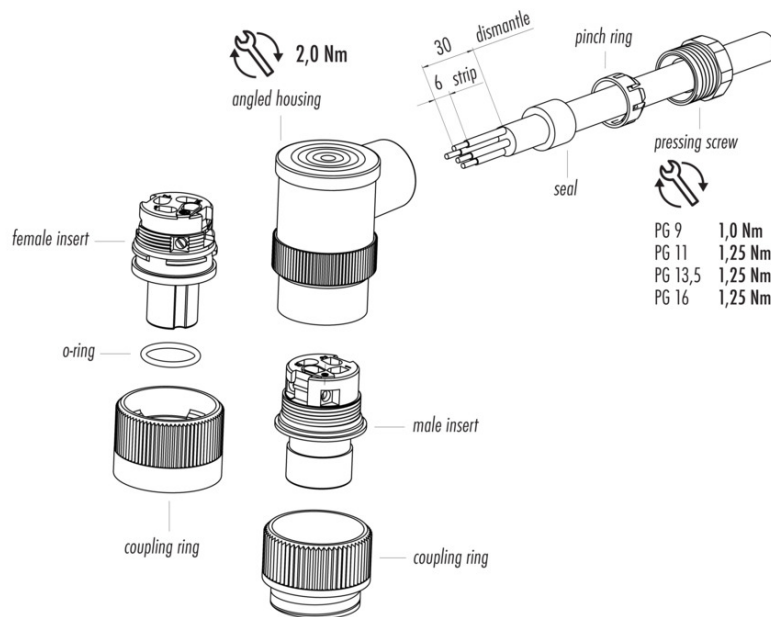
eCl@ss 11.1	27-44-01-02
ETIM 9.0	EC002635

Declarations of conformity

Low Voltage Directive	2014/35/EU (EN 60204-1:2018;EN 60529:1991)
-----------------------	--

Assembly instructions

1. Unscrew the clamping screws until the holes for single wires are completely free.
2. Bead parts of the cable clamp and angled housing onto the cable.
3. Dismantle cable.
4. Strip, twist and screw on single wires.
5. Only female insert: mount o-ring.
6. Snap on the threaded ring.
7. Screw on the angled housing.
8. Tighten pressing screw.



Product description	RD24 Female angled connector, Contacts: 6+PE, 6.0-8.0 mm, unshielded, screw clamp, IP67, PG 9
Area	series 692
Part no.	99 0218 70 07

Security notices

The connector must not be plugged or unplugged under load. Non-observance and improper use can result in personal injury.

The connectors have been developed for applications in plant engineering, control and electrical equipment construction. The user is responsible for checking whether the connectors can also be used in other areas of application.

To protect against unintentional opening of the connector, the thread between the housing and the connector head must be secured with a suitable cyanoacrylate adhesive when used in circuits with voltages dangerous to the touch. This does not apply to connectors used in SELV and PELV circuits according to IEC 61140 (EN 61140, VDE 0140-1).

Connectors which are used in circuits with voltages dangerous to the touch may only be installed and used by, or under the supervision of, persons with electrical engineering training, taking into account the applicable regulations and standards.

The user must take suitable safety precautions to ensure that the connector cannot be accidentally disconnected.

The plug connector is not suitable for mains voltages. Please observe the pollution degree and the overvoltage category. For further information, please refer to the download center "Technical Information".

To lock the cable connector to the device connector, we recommend tightening the threaded ring to 2 Nm. A suitable torque wrench is available as an accessory (order no. 07 0082 000).