

QUINT4-CAP/24DC/20/16KJ/USB - Capacity module



1065635

<https://www.phoenixcontact.com/us/products/1065635>

Please be informed that the data shown in this PDF document is generated from our online catalog. Please find the complete data in the user documentation. Our general terms of use for downloads are valid.



QUINT capacity module, with maintenance-free energy storage based on double-layer capacitor, DIN rail mounting, input: 24 V DC, output: 24 V DC / 20 A / 16 kJ incl. mounted UTA 107 universal DIN rail adapter

Your advantages

- Convenient shutdown of PCs
- Maintenance-free with a long service life
- Space savings, thanks to the compact design
- Long buffer time, thanks to high memory capacity
- Lockable USB interface for connecting to industrial PCs, for example

Commercial data

Item number	1065635
Packing unit	1 pc
Minimum order quantity	1 pc
Sales key	CM21
Product key	CMUIC3
GTIN	4055626728247
Weight per piece (including packing)	3,360 g
Weight per piece (excluding packing)	2,856 g
Customs tariff number	85322900
Country of origin	CN

Technical data

Input data

Input voltage	24 V DC (SELV)
Input voltage range	22.5 V DC ... 30 V DC
Fixed backup threshold	< 22 V DC
	> 30 V DC
Current consumption I_N ($U_N, I_{OUT} = I_N, I_{charge} = 0$)	20 A
Current consumption I_{max} ($U_N, I_{OUT} = I_{Stat.Boost}, I_{charge} = max$)	30 A
Current consumption $I_{No-Load}$ ($U_N, I_{OUT} = 0, I_{charge} = 0$)	0.1 A (No-load)
Current consumption I_{charge} ($U_N, I_{OUT} = 0, I_{charge} = max$)	10 A (charging process)
Power consumption P_{max} ($U_N, I_{OUT} = I_{Stat.Boost}, I_{charge} = max$)	599 W
Power consumption P_N ($U_N, I_{OUT} = I_N, I_{charge} = 0$)	488 W
Power consumption P_{charge} ($U_N, I_{OUT} = 0, I_{charge} = max$)	244 W
Buffer time	4 min. (2.5 A)
	30 s (20 A)
Charging time	approx. 6.3 min. (2.5 A)
	approx. 2.1 min. (10 A)
Recharging time	approx. 5.4 min. (2.5 A)
	approx. 1.4 min. (10 A)
Inrush current	≤ 7 A (≤ 4 ms)
Switch-on time	1 ms (buffer mode)
Internal input fuse	no
Dielectric strength	max. 35 V DC (Reverse polarity protection)
Voltage drop, input/output	0.5 V DC

Output data

Efficiency	> 98 % (with charged energy storage device)
Connection in parallel	yes
	max. 4
Connection in series	no

Mains operation

Output voltage	24 V DC
Output current I_N	20 A
Static Boost ($I_{Stat.Boost}$)	25 A
Output power P_{OUT} ($U_N, I_{OUT} = I_N$)	480 W
Output power P_{OUT} ($U_N, I_{OUT} = I_{stat.Boost}$)	600 W
Power dissipation No load ($U_N, I_{Out} = 0, I_{Charge} = 0$)	3 W
Power dissipation Nominal load ($U_N, I_{Out} = I_N, I_{Charge} = 0$)	10 W
Short-circuit-proof	yes (with input fuse)
Idling-proof	yes

Battery operation

QUINT4-CAP/24DC/20/16KJ/USB - Capacity module



1065635

<https://www.phoenixcontact.com/us/products/1065635>

Output voltage	24 V DC
Output current I_N	20 A
Static Boost ($I_{Stat.Boost}$)	25 A
Output power P_{OUT} ($U_N, I_{OUT} = I_N$)	480 W
Output power P_{OUT} ($U_N, I_{OUT} = I_{stat.Boost}$)	600 W
Power dissipation No load ($U_N, I_{Out} = 0, I_{Charge} = 0$)	5 W
Short-circuit-proof	yes
Idling-proof	yes

Energy storage

General

Capacity	16 kJ
Storage medium	Double-layer capacitor
Buffer time	4 min. (2.5 A) 30 s (20 A)

Connection data

Input

Position	1.x
----------	-----

Connection technology

Position marking	1.1 (+), 1.2 (+), 1.3 (-), 1.4 (-)
------------------	------------------------------------

Conductor connection

Connection method	Screw connection
rigid	0.2 mm ² ... 6 mm ²
flexible	0.2 mm ² ... 4 mm ²
flexible with ferrule without plastic sleeve	0.25 mm ² ... 4 mm ²
flexible with ferrule with plastic sleeve	0.25 mm ² ... 4 mm ²
rigid (AWG)	24 ... 10
Stripping length	8 mm
Tightening torque	0.5 Nm ... 0.6 Nm
Drive form screw head	Slotted L

2-conductor connection

rigid	0.2 mm ² ... 1.5 mm ²
flexible	0.2 mm ² ... 1.5 mm ²
flexible with TWIN ferrule with plastic sleeve	0.5 mm ² ... 2.5 mm ²

Output

Position	2.x
----------	-----

Connection technology

Position marking	2.1 (+), 2.2 (-)
------------------	------------------

Conductor connection

QUINT4-CAP/24DC/20/16KJ/USB - Capacity module



1065635

<https://www.phoenixcontact.com/us/products/1065635>

Connection method	Screw connection
rigid	0.2 mm ² ... 6 mm ²
flexible	0.2 mm ² ... 4 mm ²
flexible with ferrule without plastic sleeve	0.25 mm ² ... 4 mm ²
flexible with ferrule with plastic sleeve	0.25 mm ² ... 4 mm ²
rigid (AWG)	24 ... 10
Stripping length	8 mm
Tightening torque	0.5 Nm ... 0.6 Nm
Drive form screw head	Slotted L

2-conductor connection

rigid	0.2 mm ² ... 1.5 mm ²
flexible	0.2 mm ² ... 1.5 mm ²
flexible with TWIN ferrule with plastic sleeve	0.5 mm ² ... 2.5 mm ²

Signal

Position	3.x
----------	-----

Connection technology

Position marking	3.1 (13), 3.2 (14), 3.3 (Alarm), 3.4 (Ready), 3.5 (Remote), 3.6 (Parallel Port), 3.7 (SGnd)
------------------	---

Conductor connection

Connection method	Push-in connection
rigid	0.2 mm ² ... 1 mm ²
flexible	0.2 mm ² ... 1.5 mm ²
flexible with ferrule without plastic sleeve	0.2 mm ² ... 1 mm ²
flexible with ferrule with plastic sleeve	0.2 mm ² ... 0.75 mm ²
rigid (AWG)	24 ... 18
Stripping length	8 mm

Interfaces

Interface	USB (Modbus/RTU)
Number of interfaces	1
Connection method	MINI-USB Type B
Position	5.x
Locking	Screw
Transmission physics	USB 2.0
Topology	Point-to-point
Transmission speed	9600 baud ... 115200 baud (Default: 115200 baud)
Transmission length	max. 5 m
Access time	≤ 2 s
Chipset	Silicon Labs CP2104-F03-GM
Electrical isolation	Yes, UL approved

Signaling

QUINT4-CAP/24DC/20/16KJ/USB - Capacity module



1065635

<https://www.phoenixcontact.com/us/products/1065635>

Signal state Remote

Connection labeling	3.5
Channel	DI (digital input)
State (configurable)	Remote
State condition	Remote
Low signal	<3 kΩ to SGnd
High signal	open (>470 kΩ between Remote and SGnd)
Signal - state assignment	low - active
Reference potential	3.7 (SGnd, identical to 1.3, 1.4, 2.2)

Signal state Parallel port

Connection labeling	3.6
Channel	DI / DO (digital input / digital output)
Switching input description	Connection terminal block communication, parallel operation
State (configurable)	Parallel Mode
State condition (configurable)	Not active: none Active: Output: buffer mode <1 V Output: mains operation 24 V ($U_N - 1$ V (typical)) Input: Connected with SGnd: start buffer mode
Switching voltage	< 1 V 24 V ($U_N - 1$ V (typical))
Current carrying capacity	2 mA
Reference potential	Different device, parallel port IN/OUT

Signal state Alarm

Connection labeling	3.3
Channel	DO (digital output)
Switching output	Transistor
State (configurable)	Group alarm
State condition (configurable)	Alarm
Output voltage	24 V AC ($U_N - 1$ V (typical))
Output can be loaded	max. 20 mA
State - signal assignment	active - low
Reference potential	3.7 (SGnd, identical to 1.3, 1.4, 2.2)
LED status indicator	red (Alarm)

Signal state UIN OK

Connection labeling	3.1, 3.2
Channel	DO (digital output)
Switching output	Electronic relays (OptoMOS)
State (configurable)	U_{in} OK
State condition (configurable)	$U_{in} > 22,5$ V DC, $U_{in} < 30$ V DC
Output voltage	max. 30 V
Output can be loaded	300 mA
State - signal assignment	active - high

QUINT4-CAP/24DC/20/16KJ/USB - Capacity module



1065635

<https://www.phoenixcontact.com/us/products/1065635>

LED status indicator	green (U_{in} OK)
----------------------	----------------------

Signal state Ready

Connection labeling	3.4
Channel	DO (digital output)
Switching output	Transistor
State (configurable)	Ready
State condition (configurable)	State of charge = 100% or buffer mode
Output voltage	24 V ($U_N - 1$ V (typical))
Output can be loaded	max. 20 mA
State - signal assignment	active - high
Reference potential	3.7 (SGnd, identical to 1.3, 1.4, 2.2)
LED status indicator	Green (state of charge - SOC)

Signal ground SGnd

Connection labeling	3.7
Switching voltage	0 V
Current carrying capacity	max. 60 mA
Function	Signal ground
Reference potential	3.3 Alarm, 3.4 Ready, 3.5 Remote

Electrical properties

Insulation voltage input, output / housing	500 V
--	-------

Product properties

Product type	DC UPS with integrated capacitor
Product family	QUINT capacity module
MTBF (IEC 61709, SN 29500)	1839057 h (25 °C)
	1191809 h (40 °C)
	597144 h (60 °C)

Data management status

Article revision	02
------------------	----

Insulation characteristics

Protection class	III (Special application (SELV))
Overvoltage category	II
Degree of pollution	2

Dimensions

Item dimensions

Width	244 mm
Height	130 mm
Depth	125 mm

Installation dimensions

QUINT4-CAP/24DC/20/16KJ/USB - Capacity module



1065635

<https://www.phoenixcontact.com/us/products/1065635>

Installation distance right/left	0 mm / 0 mm
Installation distance top/bottom	50 mm / 50 mm

Mounting

Mounting type	DIN rail mounting
Assembly note	alignable: horizontally 0 mm, vertically 50 mm
Mounting position	horizontal DIN rail NS 35, EN 60715

Material specifications

Flammability rating according to UL 94 (housing / terminal blocks)	V0
Housing material	Metal

Environmental and real-life conditions

Ambient conditions

Degree of protection	IP20
Ambient temperature (operation)	-25 °C ... 60 °C (> 40 °C Derating: 1 %/K)
Ambient temperature (storage/transport)	-40 °C ... 60 °C
Ambient temperature (start-up type tested)	-40 °C
Maximum altitude	≤ 4000 m
Climatic class	3K3 (in acc. with EN 60721)
Max. permissible relative humidity (operation)	≤ 95 %
Shock	30g, 18 ms per spatial direction (in accordance with IEC 60068-2-27)
Vibration (operation)	0,7g

Standards and regulations

Overvoltage category

EN 61010-1	II (≤ 4000 m)
EN 61010-2-201	II (≤ 4000 m)
UL 60950-1	II (≤ 4000 m)

Protective extra-low voltage

Standard designation	Protective extra-low voltage
Standards/specifications	IEC 61010-1 (SELV) IEC 61010-2-201 (PELV)

Approvals

UL

Identification	UL 61010-1
----------------	------------

UL

Identification	UL 61010-2-201
----------------	----------------

UL

QUINT4-CAP/24DC/20/16KJ/USB - Capacity module



1065635

<https://www.phoenixcontact.com/us/products/1065635>

Identification	UL 121201
----------------	-----------

UL

Identification	CAN/CSA-C22.2 No. 61010-1-12
----------------	------------------------------

UL

Identification	CAN/CSA C22.2 No. 61010-2-201:14
----------------	----------------------------------

UL

Identification	CSA C22.2 No. 213-17 Class I, Devsion 2, Groups A, B, C, D (Hazardous Location)
----------------	---

CB scheme

Identification	IEC 61010-1
	IEC 61010-2-201
	EN 61010-1
	EN 61010-2-201

EMC data

Interference emission	Noise emission in accordance with EN 61000-6-3 and EN 61000-6-4
Noise immunity	Device immunity in accordance with EN 61000-6-2
Electromagnetic compatibility	Conformance with EMC Directive 2014/30/EU
Noise emission	EN 55016
	EN 61000-6-3

Electrostatic discharge

Standards/regulations	EN 61000-4-2
-----------------------	--------------

Electrostatic discharge

Contact discharge	6 kV (Test Level 3)
Discharge in air	8 kV (Test Level 3)
Comments	Criterion B

Electromagnetic HF field

Standards/regulations	EN 61000-4-3
-----------------------	--------------

Electromagnetic HF field

Frequency range	80 MHz ... 6 GHz
Test field strength	10 V/m
Comments	Criterion A

Fast transients (burst)

Standards/regulations	EN 61000-4-4
-----------------------	--------------

Fast transients (burst)

Input	2 kV (Test Level 3 - asymmetrical)
Output	2 kV (Test Level 3 - asymmetrical)
Signal	2 kV (Test Level 3 - asymmetrical)

QUINT4-CAP/24DC/20/16KJ/USB - Capacity module



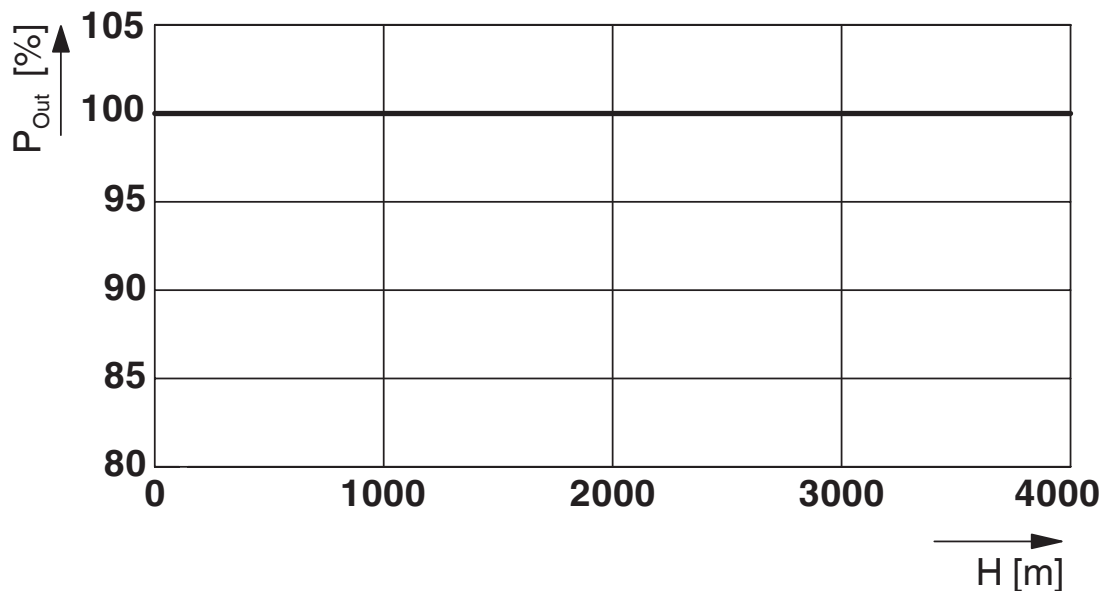
1065635

<https://www.phoenixcontact.com/us/products/1065635>

Comments	Criterion A
Surge voltage load (surge)	
Standards/regulations	EN 61000-4-5
Surge voltage load (surge)	
Signal	1 kV (Test Level 2 - asymmetrical)
Comments	Criterion B
Input/Output	1 kV (Test Level 2 - symmetrical)
	2 kV (Test Level 3 - asymmetrical)
Conducted interference	
Standards/regulations	EN 61000-4-6
Conducted interference	
Frequency range	0.15 MHz ... 80 MHz
Comments	Criterion A
Voltage	10 V
Criteria	
Criterion A	Normal operating behavior within the specified limits.
Criterion B	Temporary impairment to operational behavior that is corrected by the device itself.

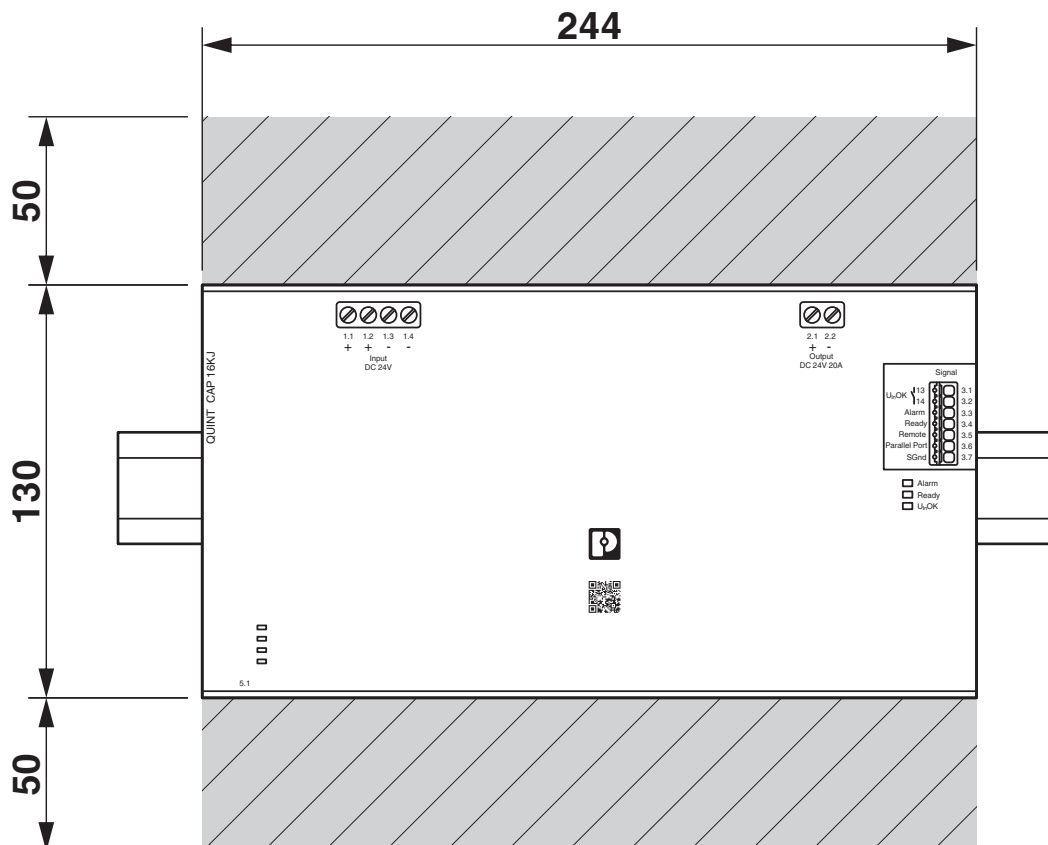
Drawings

Diagram



Output power/installation altitude

Dimensional drawing



Device dimensions (dimensions in mm)

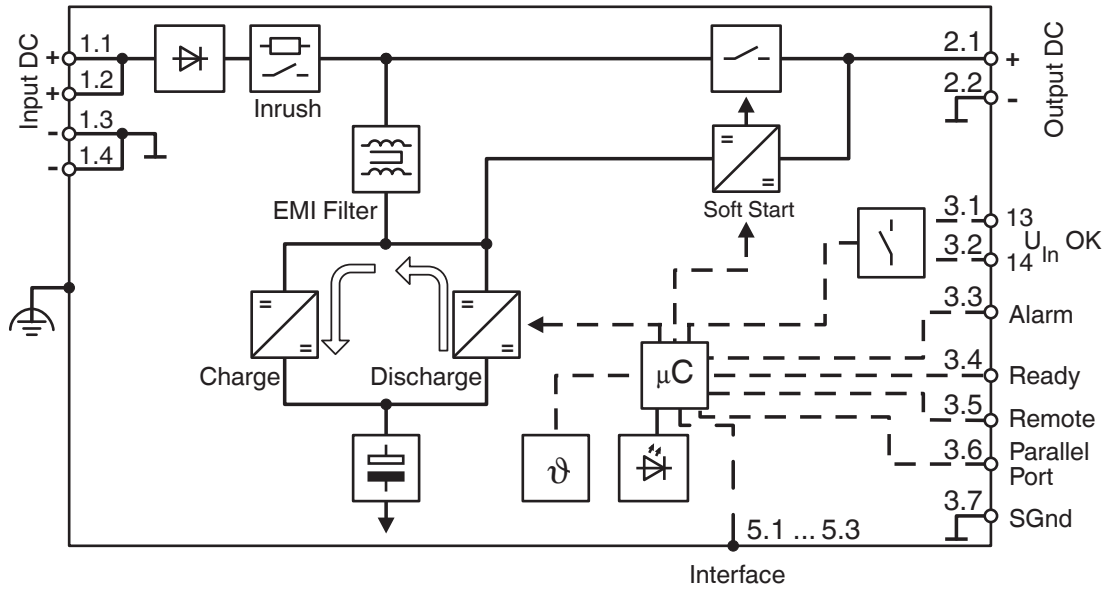
QUINT4-CAP/24DC/20/16KJ/USB - Capacity module



1065635

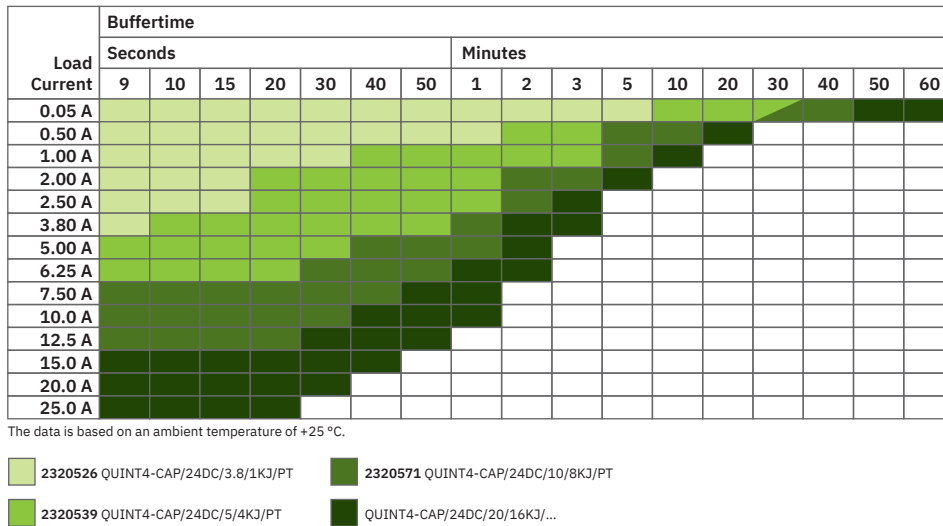
<https://www.phoenixcontact.com/us/products/1065635>

Block diagram



Block diagram

Graphic



QUINT CAP buffer times

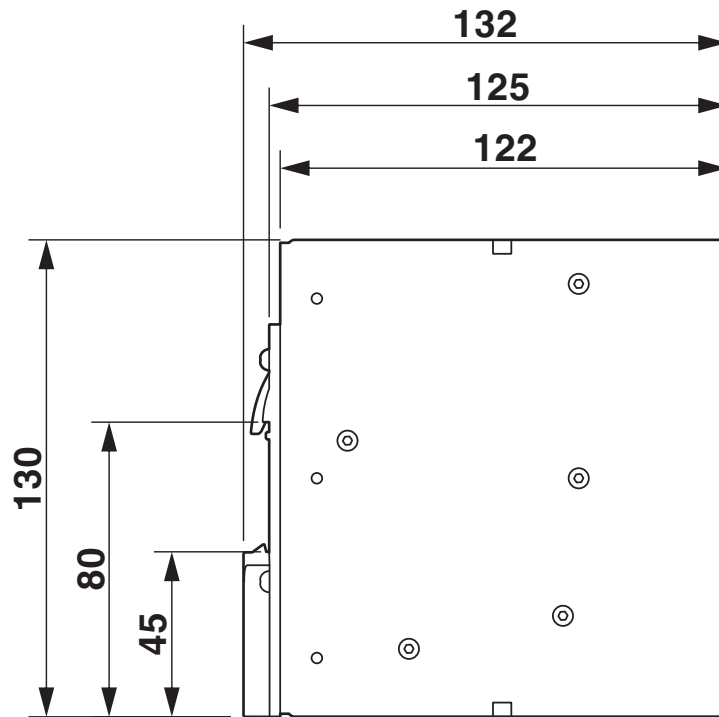
QUINT4-CAP/24DC/20/16KJ/USB - Capacity module



1065635

<https://www.phoenixcontact.com/us/products/1065635>

Dimensional drawing



Device dimensions (dimensions in mm)

QUINT4-CAP/24DC/20/16KJ/USB - Capacity module




1065635


<https://www.phoenixcontact.com/us/products/1065635>

Approvals


To download certificates, visit the product detail page: <https://www.phoenixcontact.com/us/products/1065635>

 **UL Listed**
Approval ID: E123528

 **cUL Listed**
Approval ID: E123528

 **EAC**
Approval ID: RU*DE*HB54.B05799/20

 **cUL Listed**
Approval ID: E199827

 **UL Listed**
Approval ID: E199827

cULus Listed

cULus Listed

QUINT4-CAP/24DC/20/16KJ/USB - Capacity module



1065635

<https://www.phoenixcontact.com/us/products/1065635>

Classifications

ECLASS

ECLASS-11.0	27040705
ECLASS-12.0	27040705
ECLASS-13.0	27040705

ETIM

ETIM 9.0	EC000382
----------	----------

UNSPSC

UNSPSC 21.0	26111700
-------------	----------

1065635

<https://www.phoenixcontact.com/us/products/1065635>

Environmental product compliance

EU RoHS

Fulfills EU RoHS substance requirements	Yes
Exemption	6(c), 7(a), 7(c)-I

China RoHS

Environment friendly use period (EFUP)	EFUP-25
	An article-related China RoHS declaration table can be found in the download area for the respective article under "Manufacturer declaration". For all articles with EFUP-E, no China RoHS declaration table issued and required.

EU REACH SVHC

REACH candidate substance (CAS No.)	Lead(CAS: 7439-92-1)
SCIP	a0338d9a-ef43-4843-bd1f-1fb448dc185c

Phoenix Contact 2024 © - all rights reserved

<https://www.phoenixcontact.com>

Phoenix Contact USA
586 Fulling Mill Road
Middletown, PA 17057, United States
(+717) 944-1300
info@phoenixcon.com