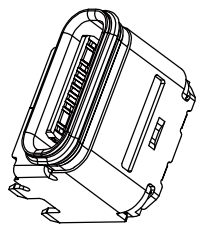
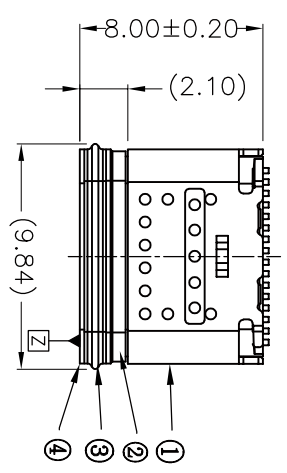
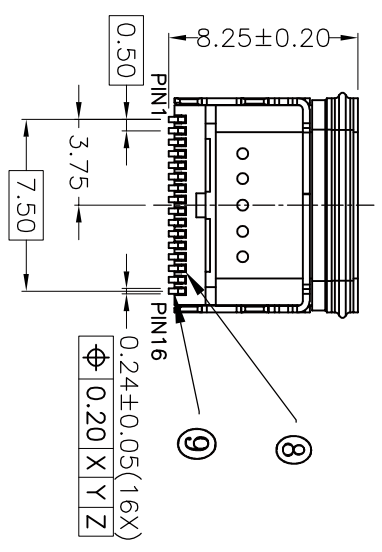
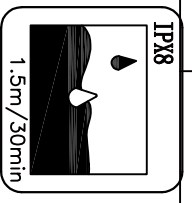
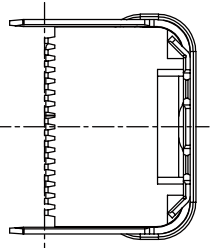
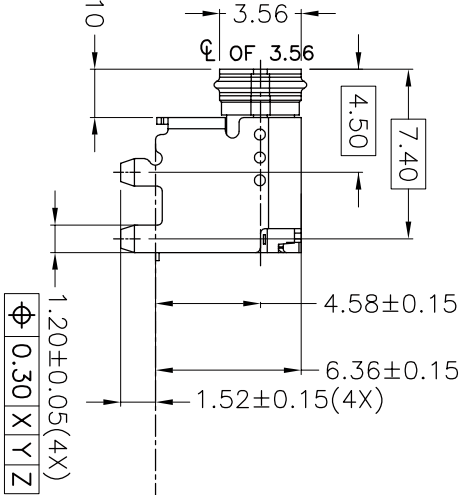
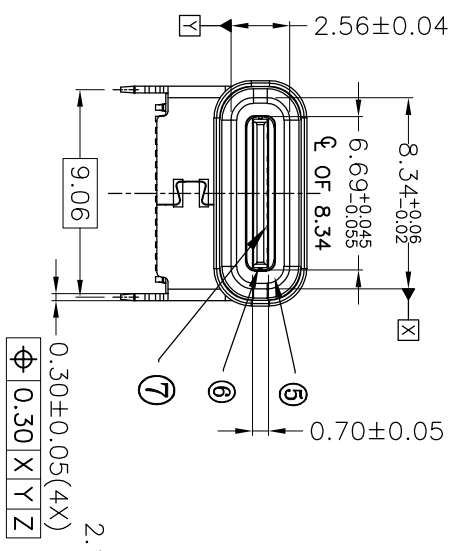


CUSTOMER

REV.	ECN NO.	DESCRIPTION	DATE	DESIGN



Notes:  
 1. ELECTRICAL characteristics:  
 1-1. Dielectric withstanding: 500V AC/minute.  
 1-2. Current rating:  
 Vbus and GND contact: ≥1.25A/pin, Paralleled for a total of 5A Min  
 Other contacts: ≥0.25A/pin  
 1-3. Initial ILCR 40mΩ max, after test Δ 10mΩ max:  
 40mΩ MAX FOR VBUS, GND AND OTHER CONTACTS.  
 50mΩ MAX FINAL AFTER TEST.  
 1-4. Insulation Resistance: 1000MΩ Min  
 2. Mechanical characteristics  
 2-1. Insert force: ≤ 20N MAX.  
 Withdraw force: 8~20N, after test: 6~20N  
 2-2. Durability: 10000 cycles min  
 2-3. Laser point: Height < 0.05mm, Pulling force > 50N

3: Environment characteristics  
 3-1. Operating temperature: -40°~+85°C  
 3-2. Salt spray: 48hours (EIA-364-26B-B)  
 4. Burr: 0.05MM MAX.  
 5. Tape and reel packing satisfy EIA-364-481 standard

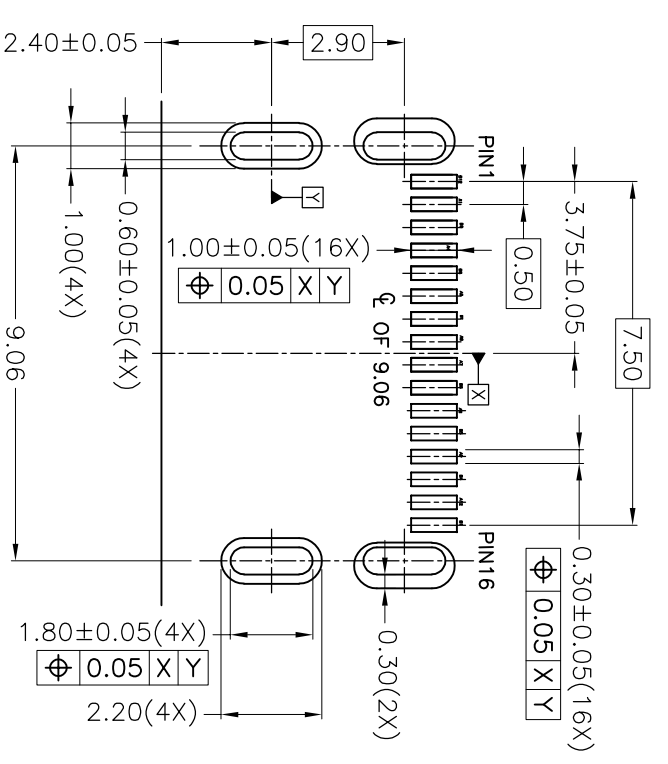
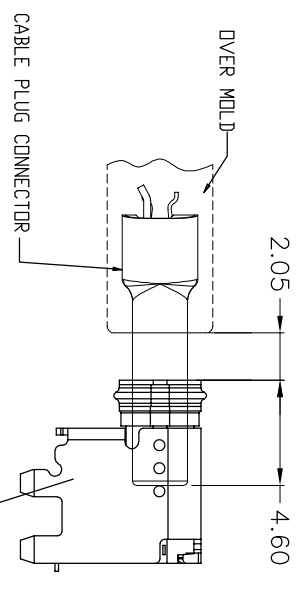
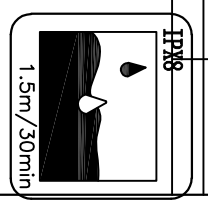
序号	数量	零件名称	材料	镀层
⑨	1	下端子	铜合金	镀金
⑧	1	上端子	铜合金	镀金
⑦	1	I/M	LCP	/
⑥	1	中隔板	不锈钢	水洗
⑤	1	EMI	不锈钢	水洗
④	1	内铁壳	不锈钢	水洗
③	1	密封胶	硅胶	/
②	1	钢圈	不锈钢	水洗
①	1	外铁壳	不锈钢	镀镍

TOLERANCE		NAME (INTENDED USE)	
X.X ±0.30 X.X' ±10°	±10°	CUSTOMER DRAWING	
.XX ±0.20 .X' ± 8°	± 8°	PART NO.	TITLE:
.XXX ±0.10 .XX' ± 5°	± 5°	F23-012TC161F780-458	16P防水母座垫高CH4. 58
UNITS	mm	DESIGN:	DRAWG NO.
MATERILA	---	CHED:	F23-012TC161F780-458
FINISH	---	APPD:	SCALE SHEET REV.
			1:1 1/2 A

**FUYOU** 广东富盈兴业精密科技实业有限公司  
 Guangdong FUYOU Precision Electronic Technology Co.,LTD.

CUSTOMER

REV. ECN NO. DESCRIPTION DATE DESIGN



RECOMMENDED PCB LAYOUT(TOP VIEW)  
PCB THICKNESS 1.72±0.05MM

Pin	Signal	Description	Mating Sequence	Description	Signal	Pin
2	A1 GND	Ground return	First	Ground return	GND	B12 1
/	A2 TX1+	/	Second	/	RX1+	B11 /
/	A3 TX1-	/	Second	/	RX1-	B10 /
4	A4 VBUS	Bus Power	First	Bus Power	VBUS	B9 3
A5	CC1	Configuration Channel	Second	Sideband Use(SBU)	SBU2	B8 5
8	A6 D+	Positive half of the USB 2.0 differential pair-Position 1	Second	Negative half of the USB 2.0 differential pair-Position 2	D-	B7 7
9	A7 D-	Negative half of the USB 2.0 differential pair-Position 1	Second	Positive half of the USB 2.0 differential pair-Position 2	D+	B6 10
11	A8 SBU1	Sideband Use(SBU)	Second	Configuration Channel	CC2	B5 12
13	A9 VBUS	Bus Power	First	Bus Power	VBUS	B4 14
/	A10 RX2-	/	Second	/	TX2-	B3 /
/	A11 RX2+	/	Second	/	TX2+	B2 /
15	A12 GND	Ground return	First	Ground return	GND	B1 16

TOLERANCE		NAME(INTENDED USE)	
X.X ±0.30 X.X' ±10°	PART NO.	CUSTOMER DRAWING	
.XX ±0.20 .X' ± 8°	F23-012TC161F780-36		
.XXX ±0.10 .XX' ± 5°	DESIGN:	ZXM	
UNITS mm	CHEG:		
MATERILA	APPD:		
FINISH			

TITLE:		DRAWG NO.	
16P防水母座垫高CH4.58		F23-012TC161F780-36	
SCALE 1:1		SHEET 1/2	
		REV. A	

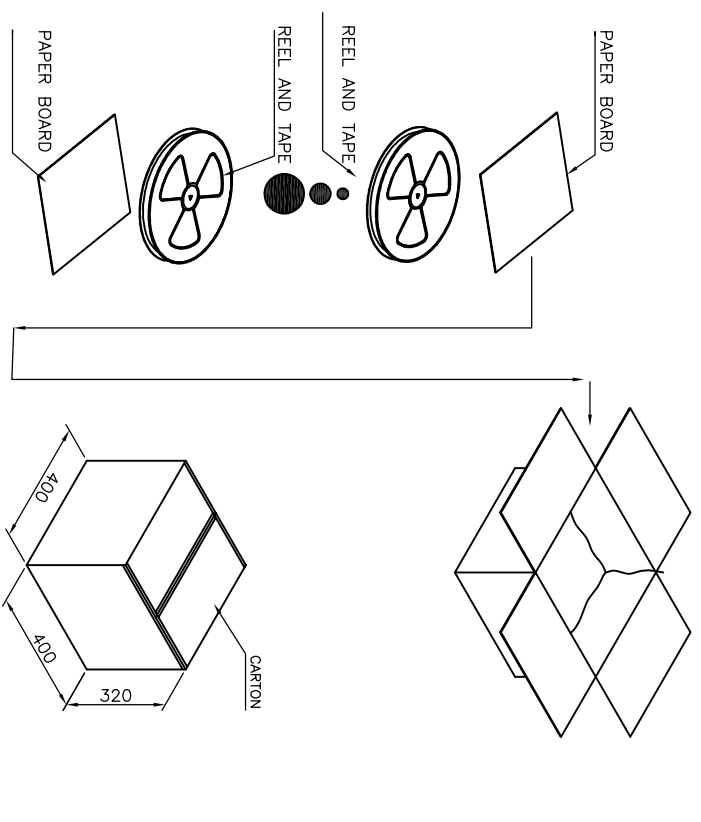
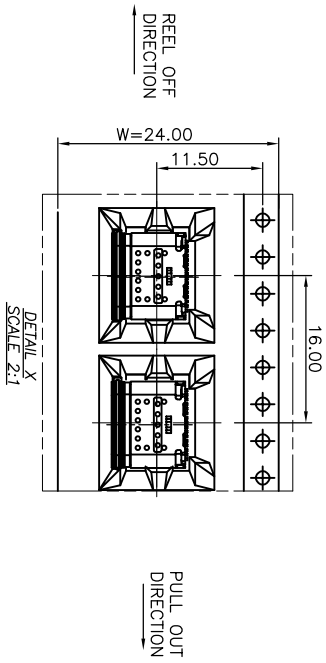
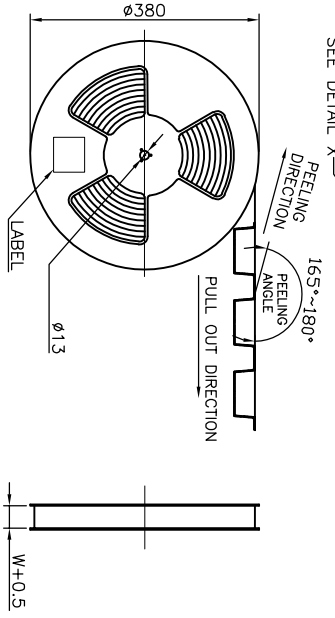
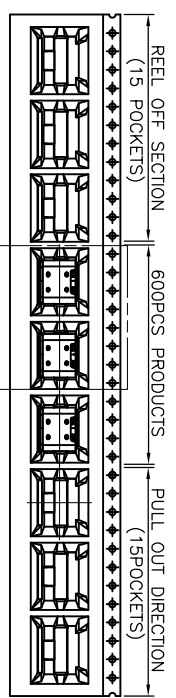
公司  
Guangdong FUYOU Precision Electronic Technology Co.,LTD.

A 6

A 1

CUSTOMER

REV. ECN NO.	DESCRIPTION	DATE	DESIGN



每盘真空包装

TOLERANCE		NAME (INTENDED USE)		TITLE:	
XX ±0.30	XX ±10°	CUSTOMER DRAWING		16P防水母座垫高CH4.58	
XX ±0.20	XX ±8°	PART NO.		DRAWNG NO.	
XXX ±0.10	XX ±5°	F23-012TC161F780-36		F23-012TC161F780-36	
UNITS	mm	DESIGN: ZXM		SCALE SHEET	
MATERILA	---	CHED:		1:1	
FINISH	---	APPD:		1/2	
				REV. A	

FUYOU 广东富源兴业精密科技实业有限公司  
 Guangdong FUYOU Precision Electronic Technology Co., Ltd.