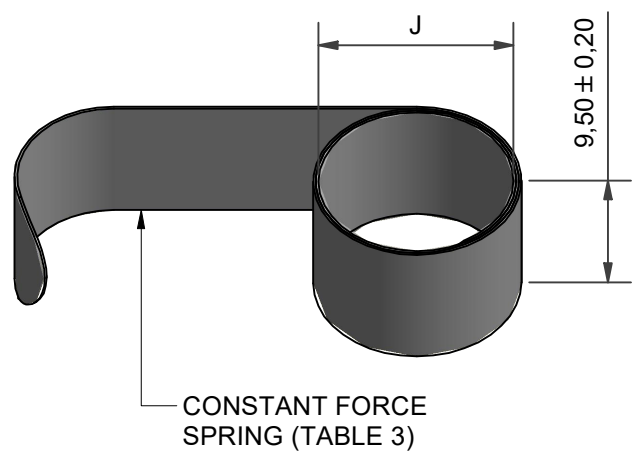
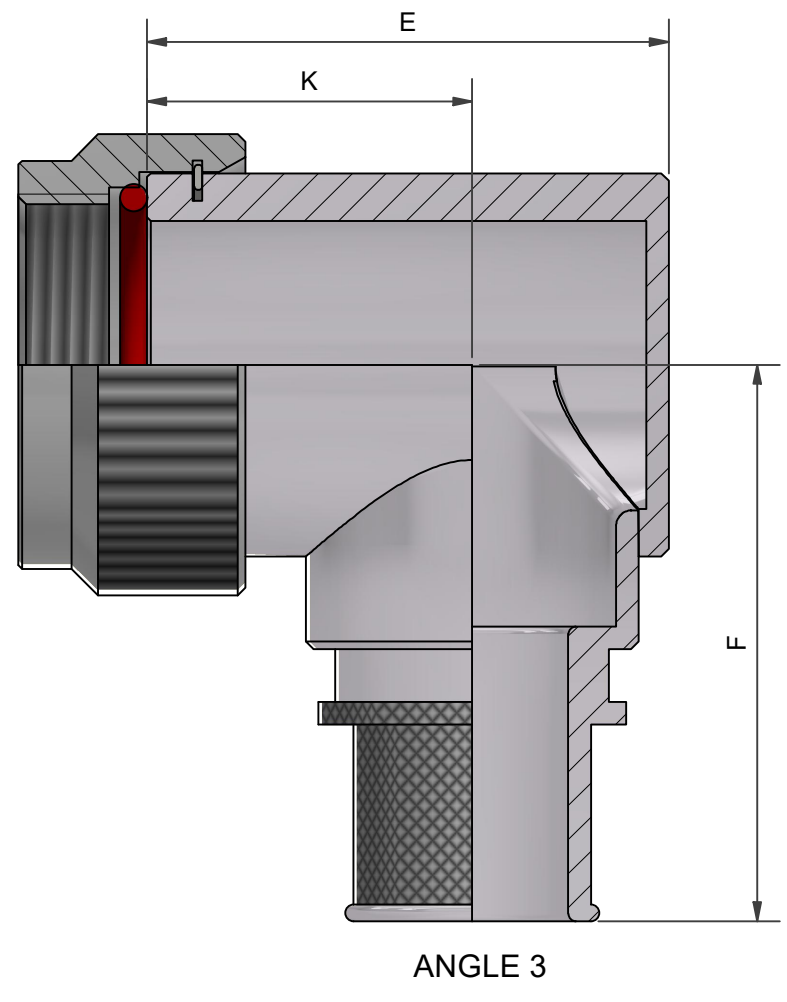
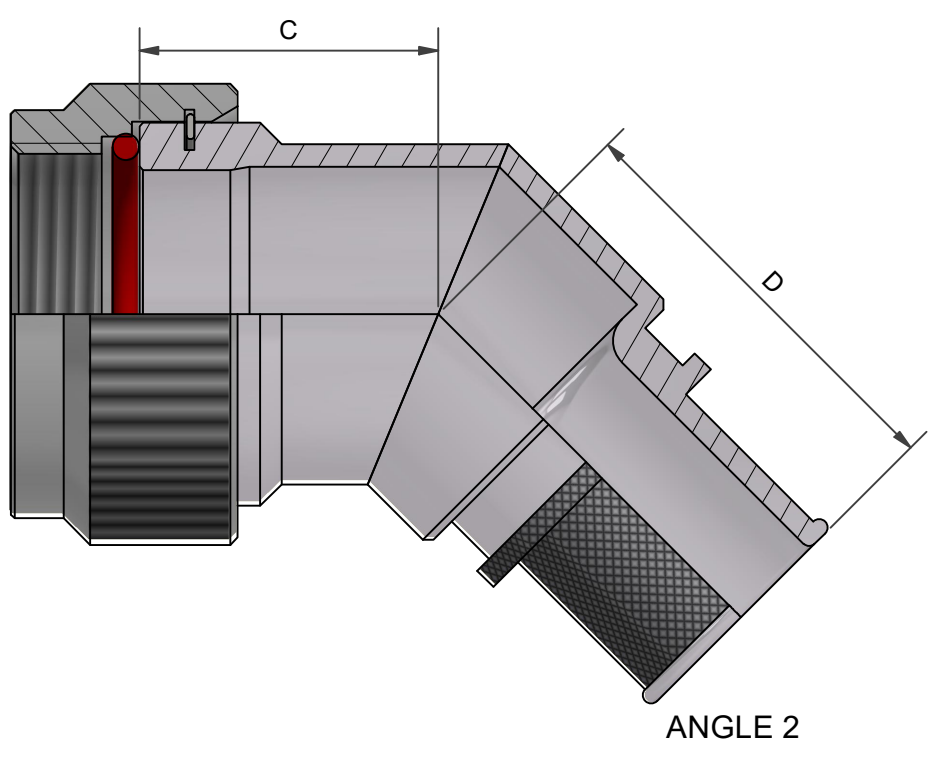
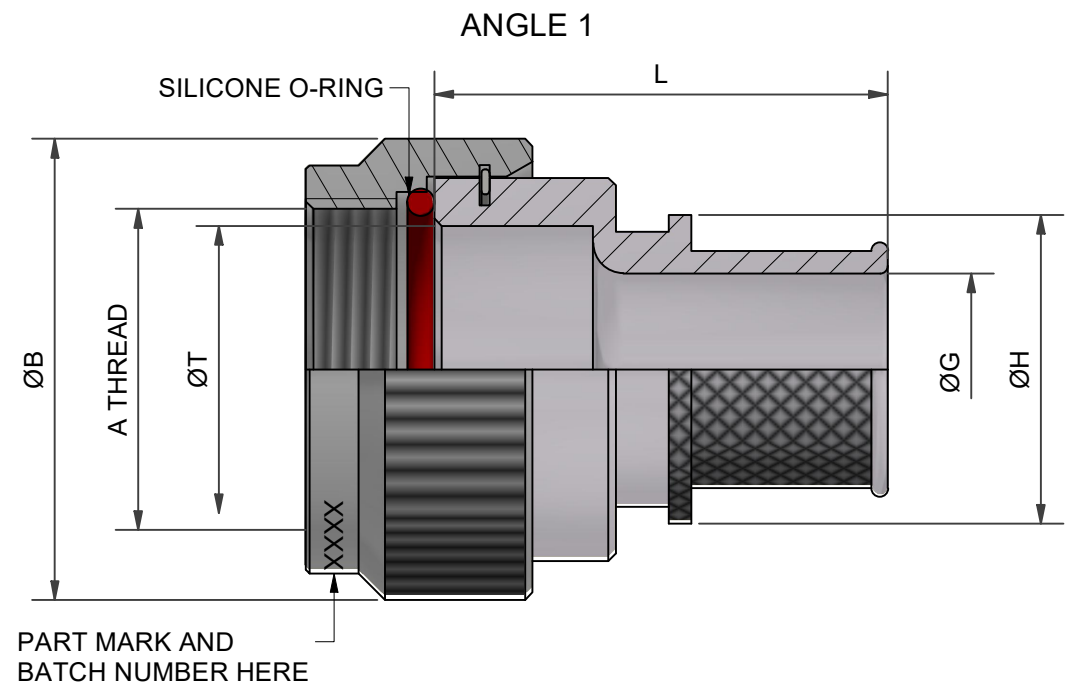


ISS / REV	DESCRIPTION	CHANGED BY	DATE
3	DCR 6180	C.W	03/03/16
AA	RELEASED TO DMTEC	I.D	22/02/19
AB	CRN 26424	N.H	01/03/24



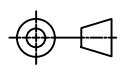

<b>DRAWN</b>	J.CLARK	<b>DATE</b>	12/11/2009	 <b>3RD ANGLE PROJECTION NOT TO SCALE</b>	<b>PART NUMBER:</b>	<b>91L SERIES</b>			 <b>POLAMCO</b>			
<b>SALES APPR</b>	M.PAUL	<b>DATE</b>	12/11/2009		<b>TITLE:</b>					<b>SPRING TERMINATION BACKSHELL</b>		
<b>DESIGN APPR</b>	K.SHEPPARD	<b>DATE</b>	12/11/2009		UNLESS OTHERWISE SPECIFIED ALL DIMENSIONS IN MILLIMETRES	<b>ASSY USED ON: MIL-DTL-5015</b>						
<b>PROD APPR</b>	K.SMITH	<b>DATE</b>	12/11/2009		<b>GENERAL TOL</b> LINEAR +/-0,25MM ANGULAR +/- 1°							
<b>QUAL APPR</b>	P.REES	<b>DATE</b>	12/11/2009		<b>MATERIAL</b> SEE PART NUMBER BREAKDOWN							
<b>ISSUE/REV</b>	<b>AB</b>	<b>CRN</b>	<b>26424</b>	<b>FINISH</b> SEE PART NUMBER BREAKDOWN	THIS DRAWING IS COPYRIGHT AND THE PROPERTY OF POLAMCO LTD IT MUST NOT BE COPIED, USED FOR MANUFACTURE OR OTHERWISE DISCLOSED WITHOUT PRIOR WRITTEN CONSENT OF THE COMPANY.			POLAMCO LTD, WESTON LOCK, LOWER BRISTOL ROAD BATH BA2 1EP	<b>SHT</b>	<b>1</b>	<b>DRAWING NO:</b>	<b>P11316</b>
<b>NCAGE CODE</b> U5792		<b>WEIGHT</b>										

TABLE 1

SHELL SIZE	A THREAD	ØB MAX	ØT MIN	C ±0,5	D MAX	E MAX	F MAX	K ±0,5	L ±0,5
08S	7/16 - 28UNEF	18,0	7,9	15,0	26,2	22,2	31,5	15,2	30,0
10S	1/2 - 28UNEF	19,5	9,4	15,4	26,9	23,7	32,7	15,7	30,0
10SL/12/12S	5/8 - 24UNEF	23,0	12,7	18,4	27,3	27,7	32,5	17,5	30,0
14/14S	3/4 - 20UNEF	26,0	15,9	19,3	28,2	31,2	35,5	19,5	30,0
16/16S	7/8 - 20UNEF	30,5	18,9	20,0	29,0	34,7	37,4	21,5	30,0
18	1 - 20UNEF	34,0	20,6	20,6	29,3	37,7	39,0	23,0	30,0
20	1 1/8 - 18UNEF	37,0	25,3	21,3	30,1	41,2	41,6	24,5	30,0
22	1 1/4 - 18UNEF	40,0	28,4	21,9	30,5	44,2	42,1	26,0	30,0
24	1 3/8 - 18UNEF	43,5	31,7	22,5	31,4	47,2	43,6	27,5	35,0
28	1 5/8 - 18UNEF	50,0	34,9	23,6	32,3	52,2	46,1	30,0	40,0
32	1 7/8 - 16UN	56,0	41,4	24,9	33,2	58,9	48,6	32,7	40,0
36	2 1/8 - 16UN	64,0	47,9	27,5	34,0	68,2	52,3	38,0	40,0
40	2 3/8 - 16UN	69,5	53,9	30,1	35,1	72,7	54,8	41,1	50,0

TABLE 2

ENTRY SIZE	G MIN	H MAX	SPRING REF:
03	4,7	13,9	HE050
04	6,3	13,9	HE050
05	7,9	15,5	HE100
06	9,5	17,2	HE100
07	11,1	18,7	HE100
08	12,7	20,3	HE200
09	14,2	21,9	HE200
10	15,8	23,5	HE200
11	17,4	25,1	HE200
12	19,0	26,7	HE300
13	20,6	28,3	HE300
14	22,2	29,9	HE300
15	23,8	31,5	HE300
16	25,4	33,1	HE300
17	27,0	34,7	HE400
18	28,6	36,3	HE400
19	30,2	37,9	HE400
20	31,8	39,5	HE400
21	33,3	41,1	HE400
22	35,0	42,7	HE400
23	36,5	44,3	HE400
24	38,1	45,9	HE400

TABLE 3

SPRING REF	J MAX (UNCONSTRAINED)
HE 050	7,5
HE 100	9,1
HE 200	12,8
HE 300	17,9
HE 400	21,8

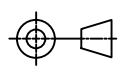

TABLE 4

CODE	FINISH
C	ELECTROLESS NICKEL
B	CADMIUM OLIVE DRAB OVER ELECTROLESS NICKEL
ZB	ZINC COBALT OLIVE DRAB OVER ELECTROLESS NICKEL
ZN	ZINC NICKEL BLACK PASSIVATE OVER ELECTROLESS NICKEL

91L1-16-08-1-C-HE200

SERIES \_\_\_\_\_  
 CONNECTOR INTERFACE \_\_\_\_\_  
 ANGLE \_\_\_\_\_  
 SHELL SIZE (TABLE 1) \_\_\_\_\_  
 ENTRY SIZE (TABLE 2) \_\_\_\_\_  
 MATERIAL \_\_\_\_\_  
 ALUMINIUM ALLOY  
 FINISH (TABLE 4) \_\_\_\_\_  
 SPRING REFERENCE (TABLE 2) \_\_\_\_\_  
 SPRING REFERENCE NOT INCLUDED IN PART MARKING  
 e.g 91L1-16-08-1-C [BATCH NUMBER]

REDRAWN FROM ISSUE 3

<table border="1"> <tr><td>DRAWN</td><td>J.CLARK</td><td>DATE</td><td>12/11/2009</td></tr> <tr><td>SALES APPR</td><td>M.PAUL</td><td>DATE</td><td>12/11/2009</td></tr> <tr><td>DESIGN APPR</td><td>K.SHEPPARD</td><td>DATE</td><td>12/11/2009</td></tr> <tr><td>PROD APPR</td><td>K.SMITH</td><td>DATE</td><td>12/11/2009</td></tr> <tr><td>QUAL APPR</td><td>P.REES</td><td>DATE</td><td>12/11/2009</td></tr> </table>	DRAWN	J.CLARK	DATE	12/11/2009	SALES APPR	M.PAUL	DATE	12/11/2009	DESIGN APPR	K.SHEPPARD	DATE	12/11/2009	PROD APPR	K.SMITH	DATE	12/11/2009	QUAL APPR	P.REES	DATE	12/11/2009	 <p>3RD ANGLE PROJECTION NOT TO SCALE</p>	<p><b>PART NUMBER:</b></p> <p style="text-align: center;"><b>91L SERIES</b></p>	 <p>POLAMCO</p>
DRAWN	J.CLARK	DATE	12/11/2009																				
SALES APPR	M.PAUL	DATE	12/11/2009																				
DESIGN APPR	K.SHEPPARD	DATE	12/11/2009																				
PROD APPR	K.SMITH	DATE	12/11/2009																				
QUAL APPR	P.REES	DATE	12/11/2009																				
<p>UNLESS OTHERWISE SPECIFIED ALL DIMENSIONS IN MILLIMETRES</p> <p>GENERAL TOL                  LINEAR +/-0,25MM                  ANGULAR +/- 1°</p>	<p><b>TITLE:</b></p> <p style="text-align: center;"><b>SPRING TERMINATION BACKSHELL</b></p>	<p><b>ASSY USED ON: MIL-DTL-5015</b></p>																					
<p>ISSUE/REV <b>AB</b></p> <p>CRN <b>26424</b></p>	<p><b>MATERIAL</b> SEE PART NUMBER BREAKDOWN</p> <p><b>FINISH</b> SEE PART NUMBER BREAKDOWN</p>	<p>THIS DRAWING IS COPYRIGHT AND THE PROPERTY OF POLAMCO LTD IT MUST NOT BE COPIED, USED FOR MANUFACTURE OR OTHERWISE DISCLOSED WITHOUT PRIOR WRITTEN CONSENT OF THE COMPANY.</p>	<p>POLAMCO LTD, WESTON LOCK, LOWER BRISTOL ROAD BATH BA2 1EP</p>	<p>SHT <b>2</b></p>	<p>DRAWING NO: <b>P11316</b></p>																		
<p>NCAGE CODE U5792</p>	<p>WEIGHT</p>																						