



TE Internal #: 2118310-1
 PCB Antenna, Multi Band, Cat-M/NB-IoT / Cellular / Wi-Fi, Internal /Embedded Mount, Through-Hole/Tab Mount, Omnidirectional,
 Gain 3 < 6 dBi
[View on TE.com >](#)

Antennas



Wireless Application: **Cat-M/NB-IoT, Cellular, ISM, Wi-Fi**
 Mounting Location: **Internal/Embedded**
 Mounting Type: **Through-Hole/Tab Mount**
 Frequency Category: **698 – 2700**
 Antenna Type: **PCB**

Features

Product Type Features

Antenna Product Type	Antenna
----------------------	---------

Configuration Features

Antenna Style	PCB
Mounting Location	Internal/Embedded
Antenna Type	PCB
Band Type	Multi Band

Electrical Characteristics

Antenna Operation	Passive
VSWR (Max)	<3:1
Impedance	50 Ω

Signal Characteristics

Gain (Max)	3.5 dB
Frequency Category	698 – 2700
Peak Gain	3 < 6 dBi



Body Features

Product Weight	2.55 g[.09 oz]
----------------	----------------

Mechanical Attachment

Polarization	Linear
Mounting Type	Through-Hole/Tab Mount

Dimensions

Product Width	10.56 mm[.416 in]
Product Length	74 mm[2.913 in]
Product Height	1.57 mm[.062 in]

Operation/Application

Wireless Standard	LTE, UMTS, US Dual, EU Triband & WCDMA
Directionality	Omnidirectional

Industry Standards

Wireless Application	Cat-M/NB-IoT, Cellular, ISM, Wi-Fi
Primary Application	Cat-M/NB-IoT, Cellular, Wi-Fi

Product Availability

Applicable Region	Americas, EU, Global
-------------------	----------------------

Packaging Features

Packaging Method	Bag & Box
------------------	-----------

Other

Precision Level	Standard
-----------------	----------

Product Compliance

[For compliance documentation, visit the product page on TE.com>](#)

EU RoHS Directive 2011/65/EU	Compliant
EU ELV Directive 2000/53/EC	Compliant
China RoHS 2 Directive MIIT Order No 32, 2016	No Restricted Materials Above Threshold
EU REACH Regulation (EC) No. 1907/2006	Current ECHA Candidate List: JUNE 2024 (241) Candidate List Declared Against: JUNE 2024 (241) SVHC > Threshold: Melamine (.38% in Component Part) <small>Article Safe Usage Statements:</small>



Wash thoroughly after handling. Do not handle until all safety precautions have been read and understood. Recycle if possible and dispose of the article by following all applicable governmental regulations relevant to your geographic location.

Halogen Content

Low Bromine/Chlorine - Br and Cl < 900 ppm per homogenous material. Also BFR /CFR/PVC Free

Solder Process Capability

Hand solderable with lead free solder

Product Compliance Disclaimer

This information is provided based on reasonable inquiry of our suppliers and represents our current actual knowledge based on the information they provided. This information is subject to change. The part numbers that TE has identified as EU RoHS compliant have a maximum concentration of 0.1% by weight in homogenous materials for lead, hexavalent chromium, mercury, PBB, PBDE, DBP, BBP, DEHP, DIBP, and 0.01% for cadmium, or qualify for an exemption to these limits as defined in the Annexes of Directive 2011/65/EU (RoHS2). Finished electrical and electronic equipment products will be CE marked as required by Directive 2011/65/EU. Components may not be CE marked. Additionally, the part numbers that TE has identified as EU ELV compliant have a maximum concentration of 0.1% by weight in homogenous materials for lead, hexavalent chromium, and mercury, and 0.01% for cadmium, or qualify for an exemption to these limits as defined in the Annexes of Directive 2000/53/EC (ELV). Regarding the REACH Regulation, the information TE provides on SVHC in articles for this part number is based on the latest European Chemicals Agency (ECHA) 'Guidance on requirements for substances in articles' posted at this URL: <https://echa.europa.eu/guidance-documents/guidance-on-reach>

Compatible Parts

TE Part # 2040852-1
SHIELD FINGER 0820 N-B WITH SE

TE Part # 2199248-4
Shield Finger, Loose Piece, Type A, 1.0 h

TE Part # 1447009-5
SHIELD FINGER 0820 TYPE

TE Part # 2199248-5
SHIELD FINGER, LOOSE PIECE, TYPE A, 1.3H

TE Part # 2306334-3
SPRING FINGER 1.2H

TE Part # 2306454-3
SPRING FINGER 2.3H

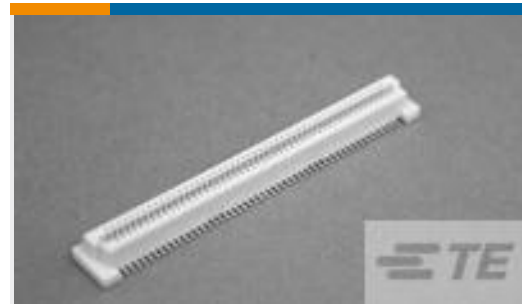
TE Part # 2306654-3
SPRING FINGER 1.8H

TE Part # 2336713-2
SPRING FINGER 1.45H

TE Part # 2199001-1
SHIELD FINGER 1210 EMBOSS PACKING

TE Part # 8-2118310-1
2118310-1 ANTENNA WITH EVB ASSY

Customers Also Bought



TE Part #5177983-3
0.8FH,R05H.5,080,08/Sn,TU



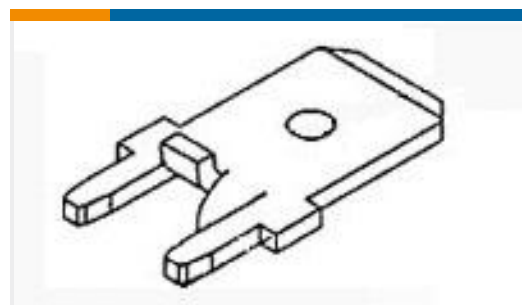
TE Part #1376020-1
DYNAMIC D2100 HDR H ASSY 12P X



TE Part #7-215570-8
MICRO-MATCH PBC.08P



TE Part #281698-3
HEADER HE14 RA 3 P



TE Part #1217136-1
250 FASTON,PCB TAB,TNBR



TE Part #2108964-1
Stamped Antenna,SMD,Wi-Fi,2.4
+5GHz



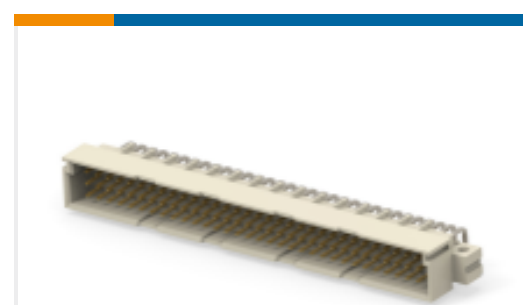
TE Part #3-2176339-7
CRGCQ 0603 10K 1%



TE Part #4-2176326-0
CRGP 0603 18K 1%



TE Part #3038-6000
3038-6000 SMT Accelerometer



TE Part #364915-E
STVC 96 M ABC VVV 4-00 0606 * * 247
E007

Documents

Product Drawings

[4G World Band, MetaSpan, Tab Mt. PCB](#)

English

CAD Files

[3D PDF](#)

3D

Customer View Model

[ENG_CVM_CVM_2118310-1_C.2d_dxf.zip](#)

English

Customer View Model

[ENG_CVM_CVM_2118310-1_C.3d_igs.zip](#)

English

Customer View Model

[ENG_CVM_CVM_2118310-1_C.3d_stp.zip](#)

English

By downloading the CAD file I accept and agree to the [Terms and Conditions](#) of use.



Datasheets & Catalog Pages

[Antenna Data Sheet 698-960, 1710-2170 & 2300-2700 MHz LTE/Cell Band Antenna](#)

English

Product Specifications

[Product Specification](#)

English