

1

2

3

4

5

6

7

A

A

B

B

C

C

D

D

E

E

F

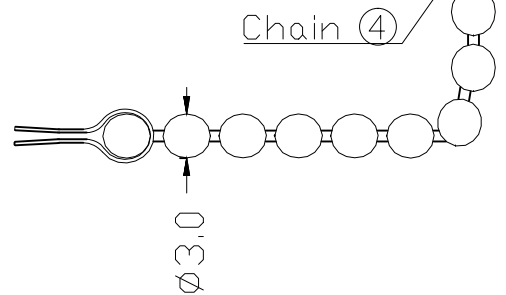
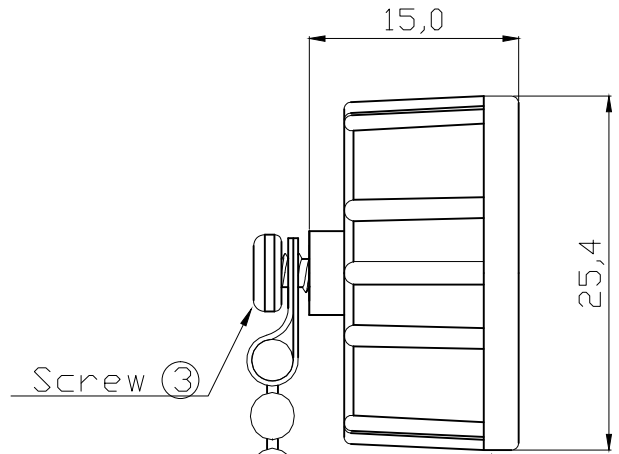
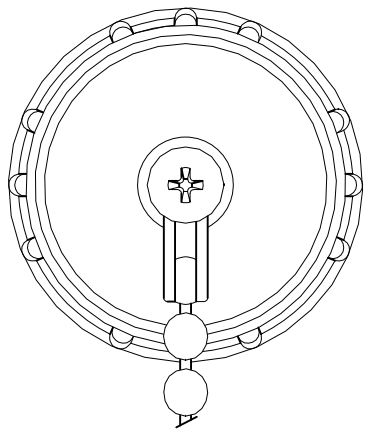
F

G

G

H

H



- ① Waterproof Cap
- ② Gasket

**NOTES:**

Waterproof Rate: IP67  
 Cap: Black, Nylon+30%GF UL94V-0 ①  
 Gasket: Black, EPDM UL94V-0 ②  
 ③ Thread :13/16"-28UN  
 ④ Chain: Stainless Steel 304

**RoHS compliant**  
Unit:mm

Scale	Free					Date	Name	Customer-No.
<b>TOLERANCE</b>		⑤	Add note for the material of chain	28.06.2024	Luca	Drawn	12.01.2004	HELLWIG
.X	±0.25	④	Add appearance photo and notes	03.04.2018	Amy	Approved	28.06.2024	
.XX	±0.1	③	Add thread information	23.03.2016	Joanna			ASSMANN WSW-No. <b>A-WP-COVER2</b>
.XXX	±0.05	②	Modify drawing	06.07.2009	Dean			
Angle	±1°	①	Drawn	12.01.2004	Hellwig			Drawing-No. <b>ASS 1556 CO</b>
		Id.	Modification	Date	Name	<b>ASSMANN</b> WSW components		rev05
								Replace

1

2

3

4

5

6

7