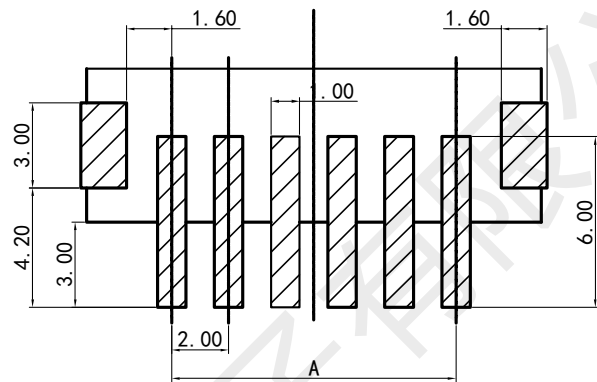
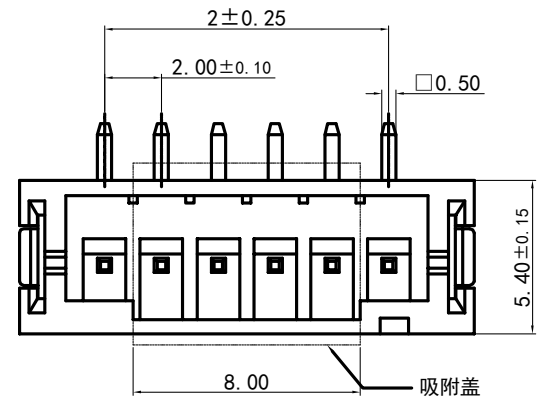


REV.	ECN NO	DESCRIPTION	REVISED	DATE
A		新订图面		2020. 5. 13



RECOMMENDED P. C. BOARD LAYOUT (TOP VIEW)
GENERAL TOLERANCE : ±0.05

孔数	型号	尺寸 (mm)	
		A	B
2	PH-2ALT	2.0	8
3	PH-3ALT	4.0	10
4	PH-4ALT	6.0	12
5	PH-5ALT	8.0	14
...
16	PH-16ALT	30.0	36

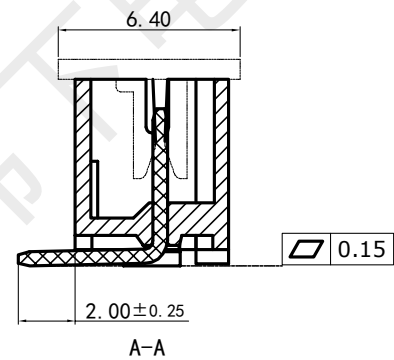
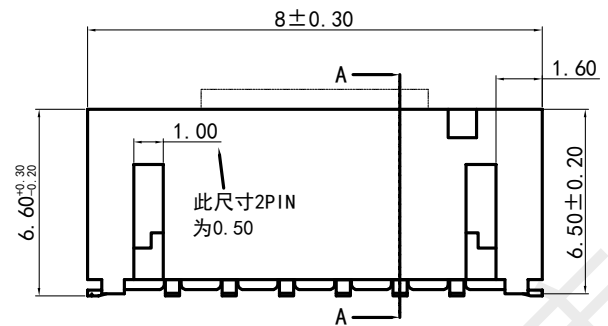
ROHS

Specifications 技术规格:

Current rating: 2A
 额定电流: 2A
 Voltage rating: 100V AC, DC
 额定电压: 100V AC, DC
 Insulation Resistance: 1000MΩ Min.
 绝缘电阻: 最小1000MΩ
 Dielectric Withstanding: 800V AC 1Min
 耐电压: 800V AC 1分钟
 Contact Resistance: 20mΩ Max.
 接触电阻: 最大20mΩ
 Operating Temperature: -25° C to +85° C
 工作温度: -25° C 到 85° C

Materials/材料:

Contact Material: Brass (Sn plating)
 接触铜针材料: 黄铜 (镀锡)
 Soldering Terminal: Bronze (Sn plating)
 焊片材料: 磷铜 (镀锡)
 Insulation Material: LCP UL94V-0 Beige
 绝缘体材料: LCP UL94 V-0 米黄色



韩下 HANXIA 深圳市韩下电子有限公司

REV. A1 UNIT. MM SCALE. 1:1

GENERAL TOLERANCE	
X. ° ±3°	.XXX ±0.10
.X ° ±2°	.XX ±0.15
.XX ° ±1°	.X ±0.25
.XXX ±0.5°	X. ±0.35

DESIGN: 黄彬	DATE: 2020. 5. 13
CHECKED: 张伟	DATE: 2020. 5. 13
AUDITED:	DATE:
APPROVED: 罗小春	DATE: 2020. 5. 13

DWG. NO.	PART NO. PH-NALT
TITLE. HX-PH2.0-2PLT	