

1.6V to 3.6V, 12-Bit, Nanopower, 4-Wire TOUCH SCREEN CONTROLLER with SPI™ Interface

FEATURES

- 4-Wire Touch Screen Interface
- Ratiometric Conversion
- Single 1.6V to 3.6V Supply
- Preprocessing to Reduce Bus Activity
- High-Speed SPI-Compatible Interface
- Internal Detection of Screen Touch
- Register-Based Programmable:
 - 10-Bit or 12-Bit Resolution
 - Sampling Rates
 - System Timing
- On-Chip Temperature Measurement
- Touch Pressure Measurement
- Auto Power-Down Control
- Low Power:
 - 800 μ W at 1.8V, 50SSPS
 - 600 μ W at 1.6V, 50SSPS
 - 75 μ W at 1.6V, 8.2kSPS Eq. Rate
- Enhanced ESD Protection:
 - \pm 6kV HBM
 - \pm 1kV CDM
 - \pm 25kV Air Gap Discharge
 - \pm 12kV Contact Discharge
- 2.5 x 3 WCSP-18 Package

U.S. Patent NO. 6246394; other patents pending.

APPLICATIONS

- Personal Digital Assistants
- Cellular Phones
- Portable Instruments
- Point-of-Sale Terminals
- MP3 Players, Pagers
- Multiscreen Touch Control

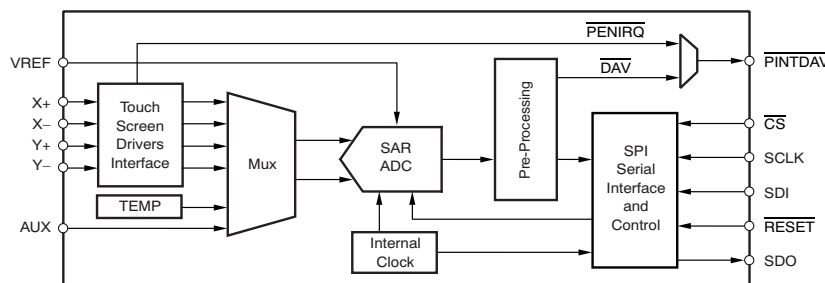
DESCRIPTION

The TSC2005 is a very low-power touch screen controller designed to work with power-sensitive, handheld applications that are based on an advanced low-voltage processor. It works with a supply voltage as low as 1.6V, which can be supplied by a single-cell battery. It contains a complete, ultralow-power, 12-bit, analog-to-digital (A/D) resistive touch screen converter, including drivers and the control logic to measure touch pressure.

In addition to these standard features, the TSC2005 offers preprocessing of the touch screen measurements to reduce bus loading, thus reducing the consumption of host processor resources that can then be redirected to more critical functions.

The TSC2005 supports an SPI-compatible serial bus up to 25MHz. It offers programmable resolution of 10 or 12 bits to accommodate different screen sizes and performance needs.

The TSC2005 is available in a miniature 18-lead, 5 x 6 array, 2.608 x 3.108 mm wafer chip-scale package (WCSP). The device is characterized for the -40°C to $+85^{\circ}\text{C}$ industrial temperature range.



Please be aware that an important notice concerning availability, standard warranty, and use in critical applications of Texas Instruments semiconductor products and disclaimers thereto appears at the end of this data sheet.

SPI is a trademark of Motorola, Inc.

All other trademarks are the property of their respective owners.



This integrated circuit can be damaged by ESD. Texas Instruments recommends that all integrated circuits be handled with appropriate precautions. Failure to observe proper handling and installation procedures can cause damage.

ESD damage can range from subtle performance degradation to complete device failure. Precision integrated circuits may be more susceptible to damage because very small parametric changes could cause the device not to meet its published specifications.

ORDERING INFORMATION⁽¹⁾

| PRODUCT | TYPICAL INTEGRAL LINEARITY (LSB) | TYPICAL GAIN ERROR (LSB) | NO MISSING CODES RESOLUTION (BITS) | PACKAGE TYPE | PACKAGE DESIGNATOR | SPECIFIED TEMPERATURE RANGE | PACKAGE MARKING | ORDERING NUMBER | TRANSPORT MEDIA, QUANTITY |
|---------|----------------------------------|--------------------------|------------------------------------|---|--------------------|-----------------------------|-----------------|-----------------|---------------------------|
| TSC2005 | ±1.5 | −0.2/+4.4 | 11 | 18-Pin, 5 x 6 Matrix, 2.5 x 3 WCSP | YZL | −40°C to +85°C | TSC2005I | TSC2005IYZLT | Small Tape and Reel, 250 |
| | | | | | | | | TSC2005IYZLR | Tape and Reel, 3000 |

(1) For the most current package and ordering information, see the Package Option Addendum located at the end of this data sheet, or see the TI website at www.ti.com.

ABSOLUTE MAXIMUM RATINGS⁽¹⁾

Over operating free-air temperature range (unless otherwise noted).

| | | TSC2005 | UNIT |
|---|------------------------------------|---------------------------------------|------|
| Voltage range | Analog input X+, Y+, AUX to SNSGND | −0.4 to SNSVDD + 0.1 | V |
| | Analog input X−, Y− to SNSGND | −0.4 to SNSVDD + 0.1 | V |
| | SNSVDD to SNSGND | −0.3 to 5 | V |
| | SNSVDD to AGND | −0.3 to 5 | V |
| | I/OVDD to DGND | −0.3 to 5 | V |
| | SNSVDD to I/OVDD | −2.40 to +0.3 | V |
| Digital input voltage to DGND | | −0.3 to I/OVDD + 0.3 | V |
| Digital output voltage to DGND | | −0.3 to I/OVDD + 0.3 | V |
| Power dissipation | WCSP package | $(T_J \text{ Max} - T_A)/\theta_{JA}$ | |
| Thermal impedance, θ_{JA} | WCSP package | Low-K | 113 |
| | | High-K | 62 |
| Operating free-air temperature range, T_A | | −40 to +85 | °C |
| Storage temperature range, T_{STG} | | −65 to +150 | °C |
| Junction temperature, $T_J \text{ Max}$ | | +150 | °C |
| Lead temperature | Vapor phase (60 sec) | +215 | °C |
| | Infrared (15 sec) | +220 | °C |
| IEC contact discharge ⁽²⁾ | X+, X−, Y+, Y− | ±12 | kV |
| IEC air discharge ⁽²⁾ | X+, X−, Y+, Y− | ±25 | kV |

(1) Stresses beyond those listed under Absolute Maximum Ratings may cause permanent damage to the device. These are stress ratings only, and functional operation of the device at these or any other conditions beyond those indicated is not implied. Exposure to absolute-maximum rated conditions for extended periods may affect device reliability.

(2) Test method based on IEC standard 61000-4-2. Contact Texas Instruments for test details.

ELECTRICAL CHARACTERISTICS

At $T_A = -40^\circ\text{C}$ to $+85^\circ\text{C}$, $\text{SNSVDD} = V_{\text{REF}} = +1.6\text{V}$ to $+3.6\text{V}$, $\text{I/OVDD} = +1.2\text{V}$ to $+3.6\text{V}$, unless otherwise noted.

| PARAMETER | TEST CONDITIONS | TSC2005 | | | UNIT |
|---|--|---------|--------------|--------|-----------------------------|
| | | MIN | TYP | MAX | |
| AUXILIARY ANALOG INPUT | | | | | |
| Input voltage range | | 0 | | VREF | V |
| Input capacitance | | | 12 | | pF |
| Input leakage current | | -1 | | +1 | μA |
| A/D CONVERTER | | | | | |
| Resolution | Programmable: 10 or 12 bits | | | 12 | Bits |
| No missing codes | 12-bit resolution | 11 | | | Bits |
| Integral linearity | | | 1.5 | | LSB ⁽¹⁾ |
| Offset error | $\text{SNSVDD} = 1.6\text{V}$, $V_{\text{REF}} = 1.6\text{V}$ | | -0.8 to +0.3 | | LSB |
| | $\text{SNSVDD} = 3.0\text{V}$, $V_{\text{REF}} = 2.5\text{V}$ | | +3.2 to +8.9 | | LSB |
| Gain error | $\text{SNSVDD} = 1.6\text{V}$, $V_{\text{REF}} = 1.6\text{V}$ | | -0.2 to 0 | | LSB |
| | $\text{SNSVDD} = 3.0\text{V}$, $V_{\text{REF}} = 2.5\text{V}$ | | +3.8 to +4.4 | | LSB |
| REFERENCE INPUT | | | | | |
| V_{REF} range | | 1.6 | | SNSVDD | V |
| VREF input current drain | Non-continuous AUX mode, $\text{SNSVDD} = 3\text{V}$, $V_{\text{REF}} = 2.5\text{V}$, $T_A = +25^\circ\text{C}$, $f_{\text{ADC}} = 2\text{MHz}$, $f_{\text{SCLK}} = 10\text{MHz}$ | | 5.6 | | μA |
| Input impedance | A/D converter not converting | | 1 | | G Ω |
| TOUCH SENSORS | | | | | |
| PENIRQ 50k Ω pull-up resistor, R_{IRQ} | $T_A = +25^\circ\text{C}$, $\text{SNSVDD} = 3\text{V}$, $V_{\text{REF}} = 2.5\text{V}$ | | 51 | | k Ω |
| Switch on-resistance | Y+, X+ | | 6 | | Ω |
| | Y-, X- | | 5 | | Ω |
| Switch drivers drive current ⁽²⁾ | 100ms duration | | | 50 | mA |
| TEMPERATURE MEASUREMENT | | | | | |
| Temperature range | | -40 | | +85 | $^\circ\text{C}$ |
| Resolution | Differential method ⁽³⁾ , $\text{SNSVDD} = 3\text{V}$, $V_{\text{REF}} = 2.5\text{V}$ | | 1.6 | | $^\circ\text{C}/\text{LSB}$ |
| | TEMP1 ⁽⁴⁾ , $\text{SNSVDD} = 3\text{V}$, $V_{\text{REF}} = 2.5\text{V}$ | | 0.3 | | $^\circ\text{C}/\text{LSB}$ |
| Accuracy | Differential method ⁽³⁾ , $\text{SNSVDD} = 3\text{V}$, $V_{\text{REF}} = 2.5\text{V}$ | | ± 2 | | $^\circ\text{C}/\text{LSB}$ |
| | TEMP1 ⁽⁴⁾ , $\text{SNSVDD} = 3\text{V}$, $V_{\text{REF}} = 2.5\text{V}$ | | ± 3 | | $^\circ\text{C}/\text{LSB}$ |
| INTERNAL OSCILLATOR | | | | | |
| Clock frequency, f_{OSC} | $\text{SNSVDD} = 1.6\text{V}$ | | 3.6 | | MHz |
| | $\text{SNSVDD} = 3.0\text{V}$ | | 3.8 | | MHz |
| Frequency drift | $\text{SNSVDD} = 1.6\text{V}$ | | 0.0056 | | $\%/^\circ\text{C}$ |
| | $\text{SNSVDD} = 3.0\text{V}$ | | 0.012 | | $\%/^\circ\text{C}$ |

(1) LSB means Least Significant Bit. With $V_{\text{REF}} = +2.5\text{V}$, one LSB is $610\mu\text{V}$.

(2) Assured by design, but not tested. Exceeding 50mA source current may result in device degradation.

(3) Difference between TEMP1 and TEMP2 measurement; no calibration necessary.

(4) Temperature drift is $-2.1\text{mV}/^\circ\text{C}$.

ELECTRICAL CHARACTERISTICS (continued)At $T_A = -40^\circ\text{C}$ to $+85^\circ\text{C}$, $\text{SNSVDD} = V_{\text{REF}} = +1.6\text{V}$ to $+3.6\text{V}$, $\text{I/OVDD} = +1.2\text{V}$ to $+3.6\text{V}$, unless otherwise noted.

| PARAMETER | TEST CONDITIONS | TSC2005 | | | UNIT |
|--|--|---|----------------------------|----------------------------|---------------|
| | | MIN | TYP | MAX | |
| DIGITAL INPUT/OUTPUT | | | | | |
| Logic family | | CMOS | | | |
| Logic level | V_{IH} | $1.2\text{V} \leq \text{I/OVDD} < 1.6\text{V}$ | $0.7 \times \text{I/OVDD}$ | $\text{I/OVDD} + 0.3$ | V |
| | | $1.6\text{V} \leq \text{I/OVDD} \leq 3.6\text{V}$ | $0.7 \times \text{I/OVDD}$ | $\text{I/OVDD} + 0.3$ | V |
| | V_{IL} | $1.2\text{V} \leq \text{I/OVDD} < 1.6\text{V}$ | -0.3 | $0.2 \times \text{I/OVDD}$ | V |
| | | $1.6\text{V} \leq \text{I/OVDD} \leq 3.6\text{V}$ | -0.3 | $0.3 \times \text{I/OVDD}$ | V |
| | I_{IL} | SCLK pin or $\overline{\text{CS}}$ pin | -1 | 1 | μA |
| | C_{IN} | | | 10 | pF |
| | V_{OH} | $I_{\text{OH}} = 2$ TTL loads | $\text{I/OVDD} - 0.2$ | I/OVDD | V |
| | V_{OL} | $I_{\text{OL}} = 2$ TTL loads | 0 | 0.2 | V |
| I_{LEAK} | Floating output | -1 | 1 | μA | |
| C_{OUT} | Floating output | | 10 | pF | |
| Data format | | Straight Binary | | | |
| POWER-SUPPLY REQUIREMENTS | | | | | |
| Power-supply voltage | | | | | |
| $\text{SNSVDD}^{(5)}$ | Specified performance | 1.6 | | 3.6 | V |
| $\text{I/OVDD}^{(6)}$ | | 1.2 | | SNSVDD | V |
| Quiescent supply current ⁽⁷⁾⁽⁸⁾ | $T_A = +25^\circ\text{C}$, filter on, $M = 15$, $W = 7$, $\text{PSM} = 1$, $\text{C}[3:0] = (0,0,0,0)$, $\text{RM} = 1$, $\text{CL}[1:0] = (0,1)$, $\text{BTD}[2:0] = (1,0,1)$, 50SSPS, $\text{MAVEY} = \text{MAVEZ} = 1$, $f_{\text{ADC}} = 2\text{MHz}$, $f_{\text{SCLK}} = 10\text{MHz}$, sensor drivers supply included | $\text{SNSVDD} = \text{I/OVDD} = V_{\text{REF}} = 1.6\text{V}$ | | 383 | μA |
| | $T_A = +25^\circ\text{C}$, filter off, $M = W = 1$, $\text{PSM} = 1$, $\text{C}[3:0] = (0,0,0,0)$, $\text{RM} = 1$, $\text{CL}[1:0] = (0,1)$, $\text{MAVEY} = \text{MAVEZ} = 1$, $f_{\text{ADC}} = 2\text{MHz}$, $f_{\text{SCLK}} = 10\text{MHz}$, sensor drivers supply included | $\text{SNSVDD} = \text{I/OVDD} = V_{\text{REF}} = 1.6\text{V}$ | | 361 | μA |
| | $T_A = +25^\circ\text{C}$, filter off, $M = W = 1$, $\text{C}[3:0] = (0,1,0,1)$, $\text{RM} = 1$, $\text{CL}[1:0] = (0,1)$, non-cont AUX mode, $f_{\text{ADC}} = 2\text{MHz}$, $f_{\text{SCLK}} = 10\text{MHz}$ | $\text{SNSVDD} = \text{I/OVDD} = V_{\text{REF}} = 1.6\text{V}$ | | 481 | μA |
| | $T_A = +25^\circ\text{C}$, filter off, $M = W = 1$, $\text{C}[3:0] = (0,1,0,1)$, $\text{RM} = 1$, $\text{CL}[1:0] = (0,1)$, non-cont AUX mode, $f_{\text{ADC}} = 2\text{MHz}$, $f_{\text{SCLK}} = 10\text{MHz}$ | $\text{SNSVDD} = 3\text{V}$, $\text{I/OVDD} = V_{\text{REF}} = 1.6\text{V}$ | | 943 | μA |
| | $T_A = +25^\circ\text{C}$, filter on, $M = 7$, $W = 3$, $\text{C}[3:0] = (0,1,0,1)$, $\text{RM} = 1$, $\text{CL}[1:0] = (0,1)$, $\text{MAVEAUX} = 1$, non-cont AUX mode, $f_{\text{ADC}} = 2\text{MHz}$, $f_{\text{SCLK}} = 3.5\text{MHz}$, full speed (91kSPS equivalent rate) | $\text{SNSVDD} = \text{I/OVDD} = V_{\text{REF}} = 1.6\text{V}$, ~13kSPS effective rate | | 522 | μA |
| | $T_A = +25^\circ\text{C}$, filter on, $M = 7$, $W = 3$, $\text{C}[3:0] = (0,1,0,1)$, $\text{RM} = 1$, $\text{CL}[1:0] = (0,1)$, $\text{MAVEAUX} = 1$, non-cont AUX mode, $f_{\text{ADC}} = 2\text{MHz}$, $f_{\text{SCLK}} = 3.5\text{MHz}$, reduced speed (8.2kSPS equivalent rate) | $\text{SNSVDD} = \text{I/OVDD} = V_{\text{REF}} = 1.6\text{V}$, ~1.17kSPS effective rate | | 47 | μA |
| Power-down supply current | $T_A = +25^\circ\text{C}$, $\overline{\text{CS}}$ high, SCLK = 0, $\text{SNSVDD} = \text{I/OVDD} = V_{\text{REF}} = 1.6\text{V}$ | | 0.023 | 0.8 | μA |

(5) TSC2005 functions down to 1.4V, typically.

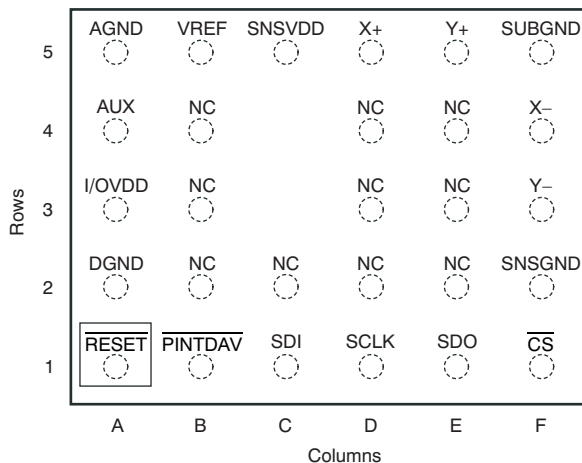
(6) I/OVDD must be \leq SNSVDD.

(7) Supply current from SNSVDD.

(8) For detailed information on test condition parameter and bit setting, see the [Digital Interface](#) section.

PIN CONFIGURATION

**YZL PACKAGE
WCSP-18
(TOP VIEW, SOLDER BUMPS ON BOTTOM SIDE)**



(FRONT VIEW)

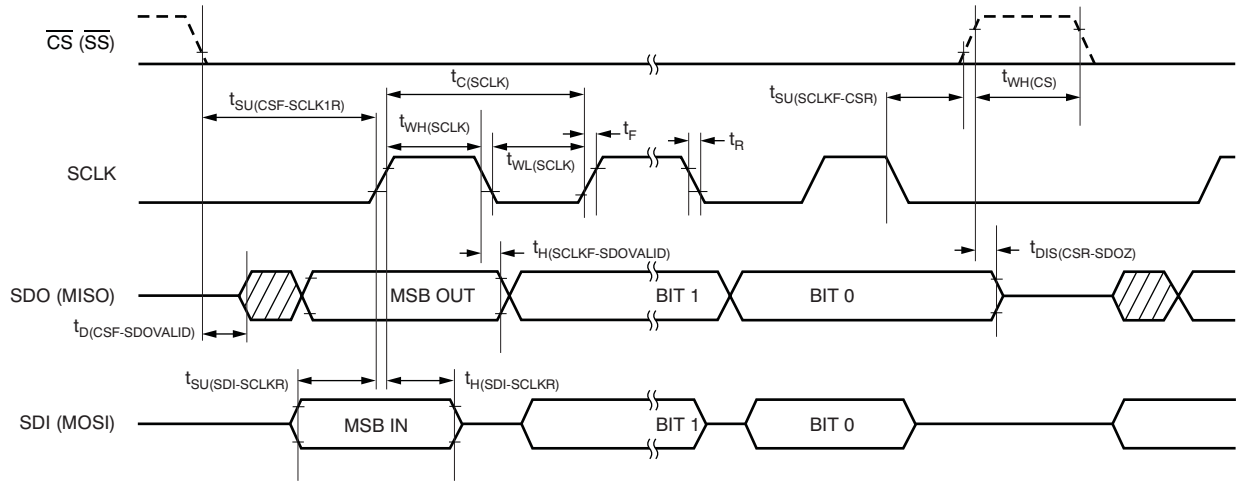


PIN ASSIGNMENTS

| PIN | | I/O | A/D | DESCRIPTION |
|--|-----------------|-----|-----|--|
| NO. | NAME | | | |
| A1 | RESET | I | D | System reset. All register values reset to default value. |
| A2 | DGND | | | Digital ground |
| A3 | I/OVDD | | | Digital I/O interface voltage |
| A4 | AUX | I | A | Auxiliary channel input |
| A5 | AGND | | | Analog ground |
| B1 | PINTDAV | O | D | Interrupt output. Data available or \overline{PENIRQ} depends on setting. Pin polarity with active low. |
| B2, B3, B4, C2, D2, D3, D4, E2, E3, E4 | NC | | | No internal connection, but solder bumps are populated. These pins may be connected to analog ground for mechanical stability. |
| B5 | VREF | I | A | External reference input |
| C1 | SDI | I | D | Serial data input. This input is the MOSI signal for the SPI protocol. |
| C3, C4 | NC | | | No solder bumps for these locations. |
| C5 | SNSVDD | | | Power supply for sensor drivers and other analog blocks. |
| D1 | SCLK | I | D | Serial clock input |
| D5 | X+ | I | A | X+ channel input |
| E1 | SDO | O | D | Serial data output. This output is the MISO signal for the SPI protocol. |
| E5 | Y+ | I | A | Y+ channel input |
| F1 | \overline{CS} | I | D | Chip select. This input is the slave select (\overline{SS}) signal for the SPI protocol. |
| F2 | SNSGND | | | Sensor driver return |
| F3 | Y- | I | A | Y- channel input |
| F4 | X- | I | A | X- channel input |
| F5 | SUBGND | | | Substrate ground (for ESD current) |

TIMING INFORMATION

The TSC2005 supports SPI programming in mode CPOL = 0 and CPHA = 0. The falling edge of SCLK is used to change output (MISO) data and the rising edge is used to latch input (MOSI) data. Eight SCLKs are required to complete the Byte 1 command cycle, and 24 SCLKs are required for the Byte 0 command cycle. CS can stay low during the entire 24 SCLKs of a Byte 0 command cycle, or multiple mixed cycles of reading and writing of bytes and register accesses, as long as the corresponding addresses are supplied.



NOTE: CPOL = 0, CPHA = 0, Byte 0 cycle requires 24 SCLKs, and Byte 1 cycle requires eight SCLKs.

Figure 1. Detailed I/O Timing

TIMING REQUIREMENTS⁽¹⁾

All specifications typical at -40°C to +85°C, SNSVDD = I/OVDD = 1.6V, unless otherwise noted.

| PARAMETER | TEST CONDITIONS | MIN | MAX | UNIT |
|-------------------------|-----------------------------|--|--------------------------|------|
| $t_{WL(RESET)}^{(2)}$ | Reset low time | SNSVDD ≥ 1.6V | | μs |
| $t_{C(SCLK)}$ | SPI serial clock cycle time | SNSVDD = I/OVDD ≥ 1.6V and < 2.7V, 40% to 60% duty cycle | | ns |
| | | SNSVDD = I/OVDD ≥ 2.7V and ≤ 3.6V, 40% to 60% duty cycle | | ns |
| f_{SCLK} | SPI serial clock frequency | SNSVDD = I/OVDD ≥ 1.6V and < 2.7V, 10pF load | | 10 |
| | | SNSVDD = I/OVDD ≥ 2.7V and ≤ 3.6V, 10pF load | | 25 |
| $t_{WH(SCLK)}$ | SPI serial clock high time | $0.4 \times t_{C(SCLK)}$ | $0.6 \times t_{C(SCLK)}$ | ns |
| $t_{WL(SCLK)}$ | SPI serial clock low time | $0.4 \times t_{C(SCLK)}$ | $0.6 \times t_{C(SCLK)}$ | ns |
| $t_{SU(CSF-SCLK1R)}$ | Enable lead time | 30 | | ns |
| $t_{D(CSF-SDOVALID)}$ | Slave access time | 15 | | ns |
| $t_{H(SCLKF-SDOVALID)}$ | MISO data hold time | 6 | 13 | ns |
| $t_{WH(CS)}$ | Sequential transfer delay | 15 | | ns |
| $t_{SU(SDI-SCLKR)}$ | MOSI data setup time | 4 | | ns |
| $t_{H(SDI-SCLKR)}$ | MOSI data hold time | 4 | | ns |
| $t_{DIS(CSR-SDOZ)}$ | Slave MISO disable time | 15 | | ns |
| $t_{SU(SCLKF-CSR)}$ | Enable lag time | 30 | | ns |
| t_R | Rise time | SNSVDD = I/OVDD = 3V, $f_{SCLK} = 25\text{MHz}$ | | 3 |
| t_F | Fall time | SNSVDD = I/OVDD = 3V, $f_{SCLK} = 25\text{MHz}$ | | 3 |

(1) All input signals are specified with $t_R = t_F = 5\text{ns}$ (10% to 90% of I/OVDD) and timed from a voltage level of $(V_{IL} + V_{IH})/2$.
 (2) Refer to Figure 31.

TYPICAL CHARACTERISTICS

At $T_A = -40^{\circ}\text{C}$ to $+85^{\circ}\text{C}$, $\text{SNSVDD} = V_{\text{REF}} = +1.6\text{V}$ to $+3.6\text{V}$, $\text{I/OVDD} = +1.2\text{V}$ to $+3.6\text{V}$, $f_{\text{ADC}} = f_{\text{OSC}}/2$, $f_{\text{SCLK}} = 10\text{MHz}$, 12-bit mode, and non-continuous AUX measurement, unless otherwise noted.

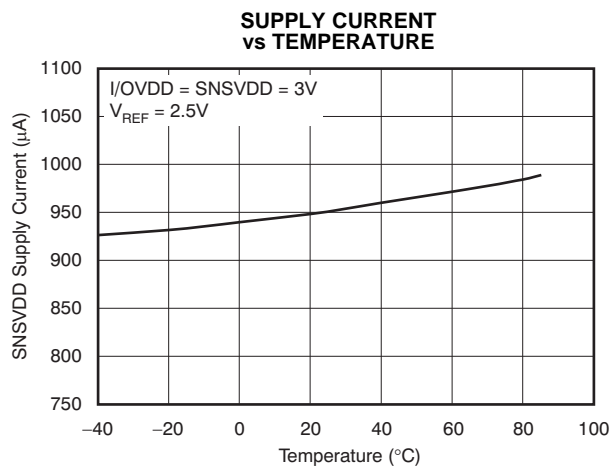


Figure 2.

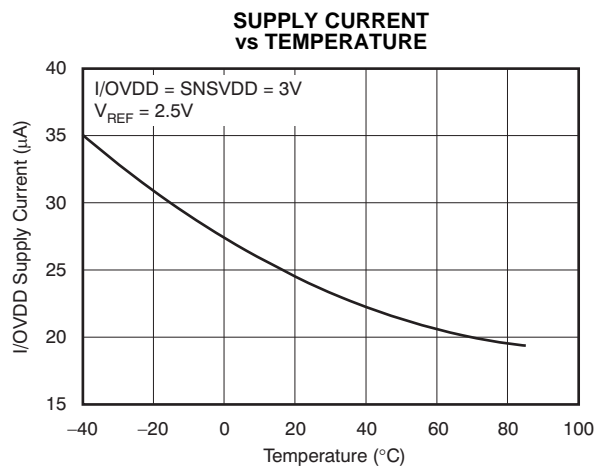


Figure 3.

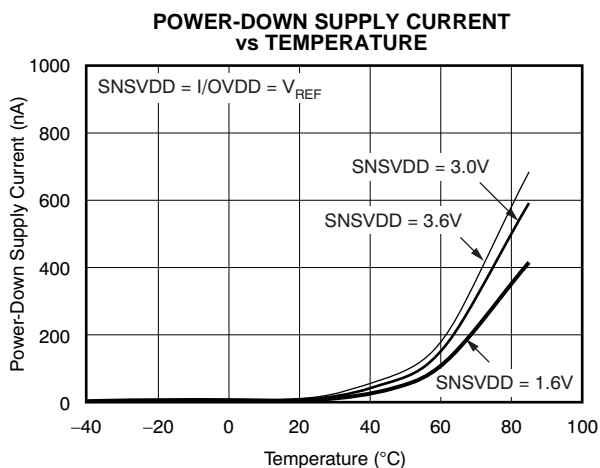


Figure 4.

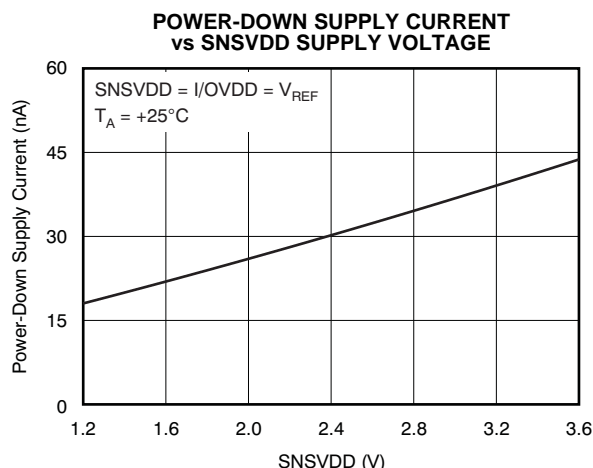


Figure 5.

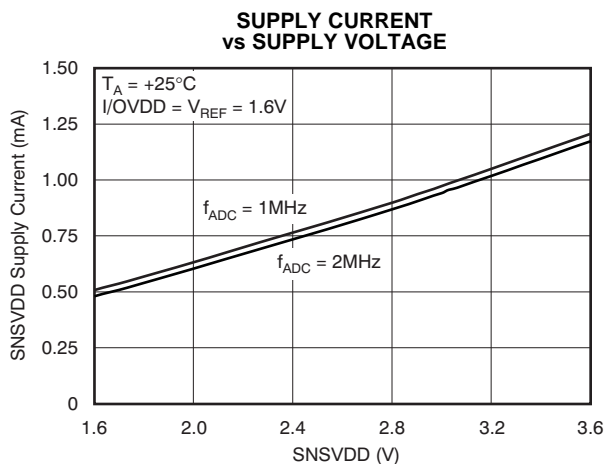


Figure 6.

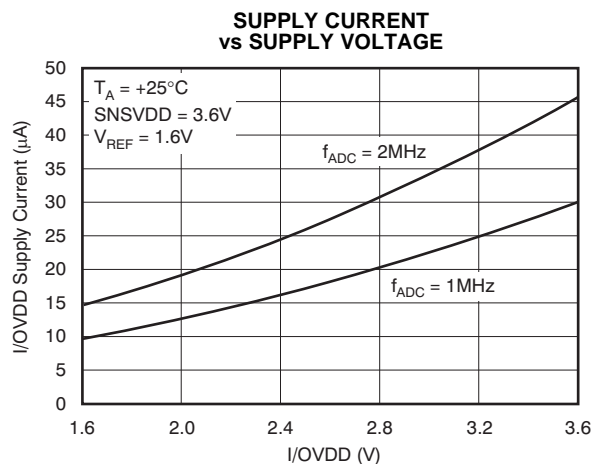


Figure 7.

TYPICAL CHARACTERISTICS (continued)

At $T_A = -40^{\circ}\text{C}$ to $+85^{\circ}\text{C}$, $\text{SNSVDD} = V_{\text{REF}} = +1.6\text{V}$ to $+3.6\text{V}$, $\text{I/OVDD} = +1.2\text{V}$ to $+3.6\text{V}$, $f_{\text{ADC}} = f_{\text{OSC}}/2$, $f_{\text{SCLK}} = 10\text{MHz}$, 12-bit mode, and non-continuous AUX measurement, unless otherwise noted.

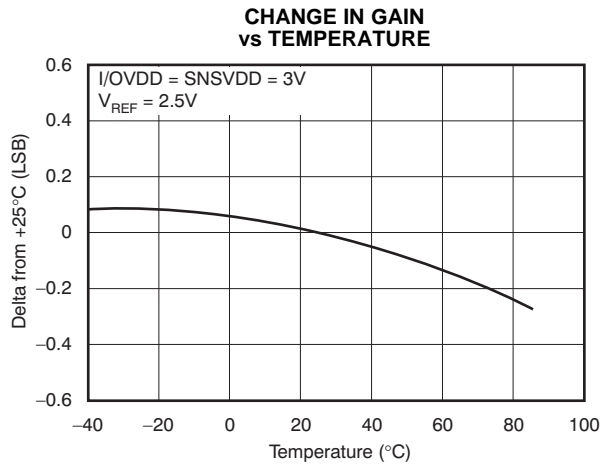


Figure 8.

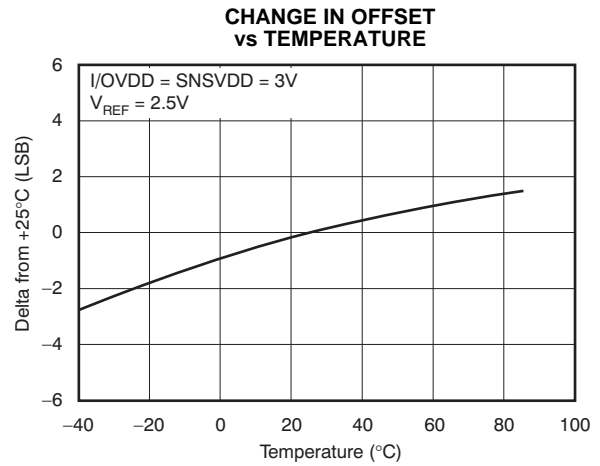


Figure 9.

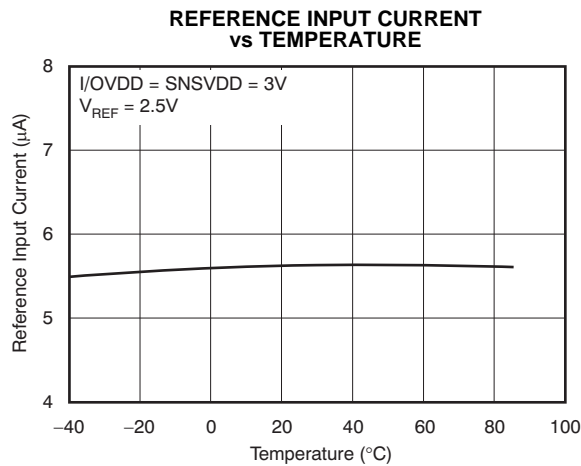


Figure 10.

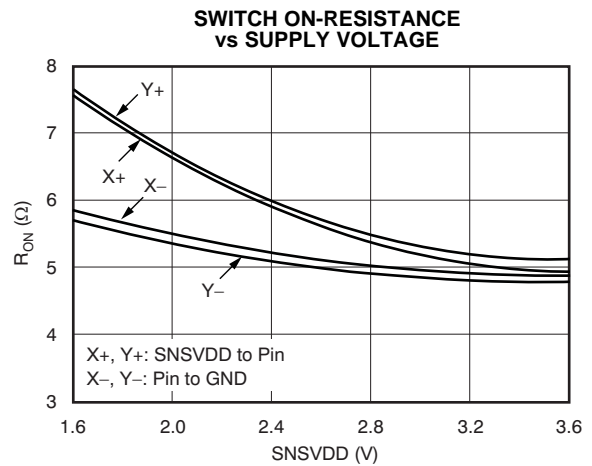


Figure 11.

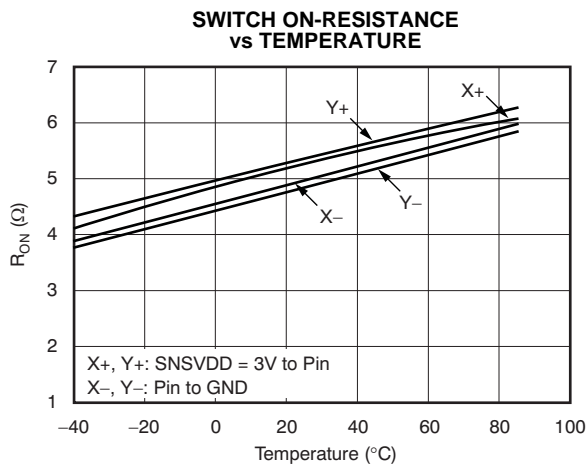


Figure 12.

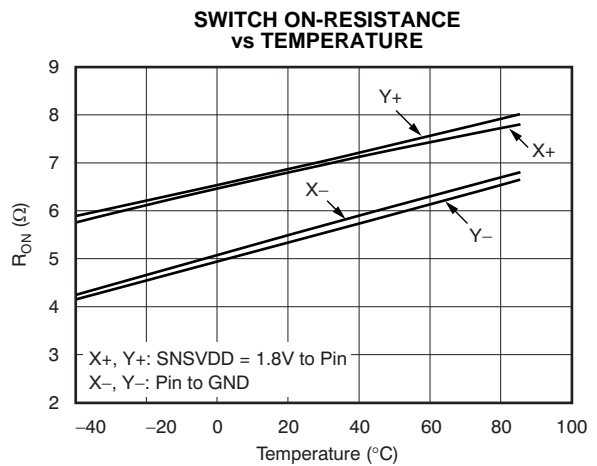


Figure 13.

TYPICAL CHARACTERISTICS (continued)

At $T_A = -40^\circ\text{C}$ to $+85^\circ\text{C}$, $\text{SNSVDD} = V_{\text{REF}} = +1.6\text{V}$ to $+3.6\text{V}$, $\text{I/OVDD} = +1.2\text{V}$ to $+3.6\text{V}$, $f_{\text{ADC}} = f_{\text{OSC}}/2$, $f_{\text{SCLK}} = 10\text{MHz}$, 12-bit mode, and non-continuous AUX measurement, unless otherwise noted.

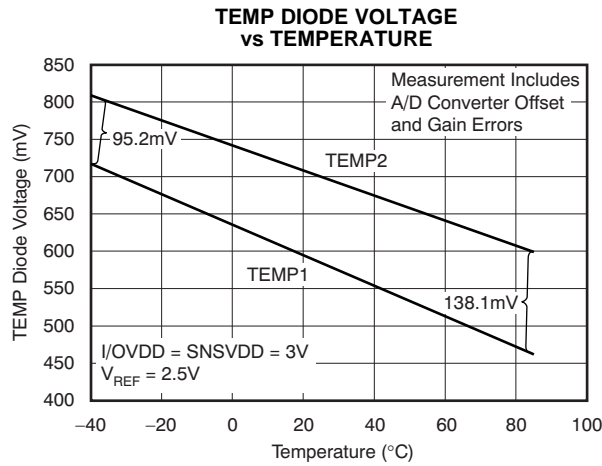


Figure 14.

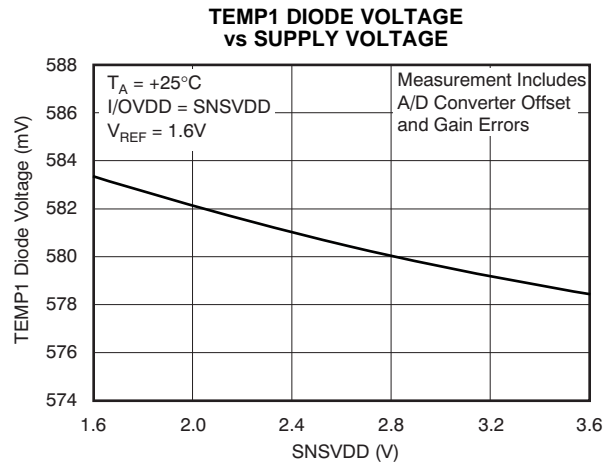


Figure 15.

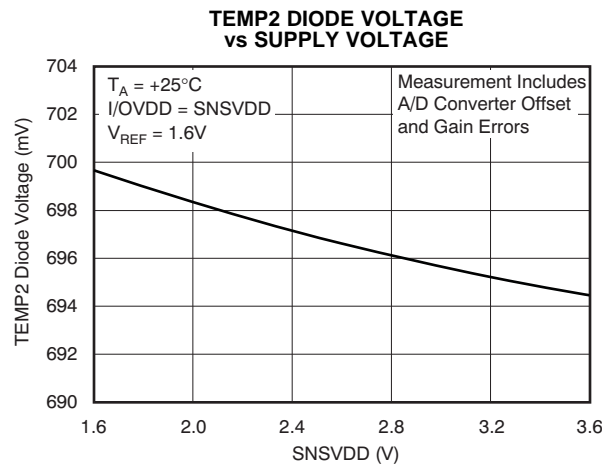


Figure 16.

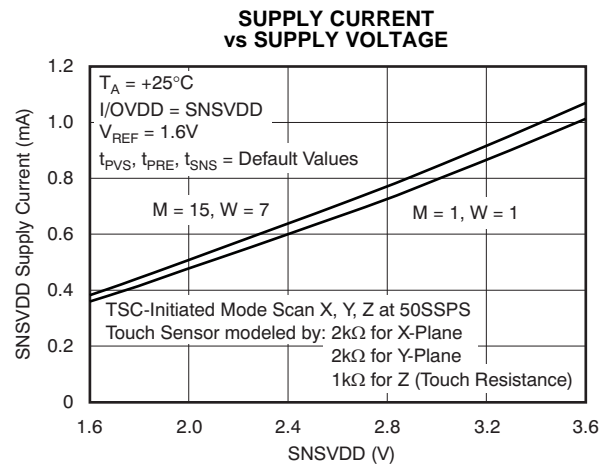


Figure 17.

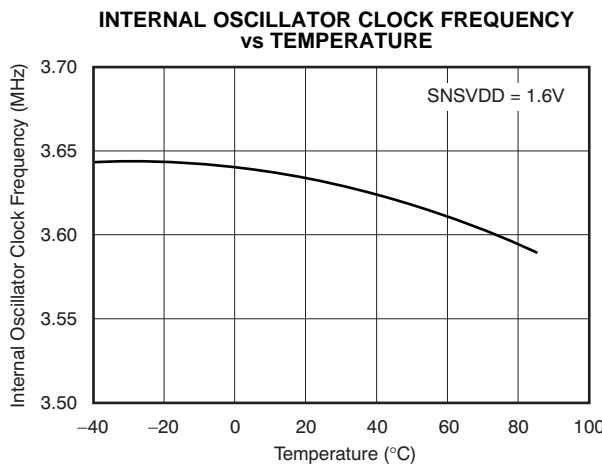


Figure 18.

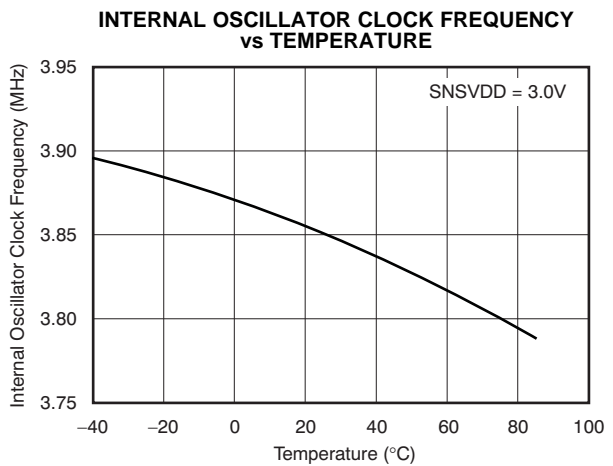


Figure 19.

OVERVIEW

The TSC2005 is an analog interface circuit for a human interface touch screen device. A register-based architecture eases integration with microprocessor-based systems through a standard SPI bus. All peripheral functions are controlled through the registers and onboard state machines. The TSC2005 features include:

- Very low-power touch screen controller
- Very small onboard footprint
- Relieves host from tedious routine tasks by flexible preprocessing, saving resources for more critical tasks
- Ability to work on very low supply voltage
- Minimal connection interface allows easiest isolation and reduces the number of dedicated I/O pins required
- Miniature, yet complete; requires no external supporting component. (**NOTE:** Although the TSC2005 can use an external reference, it is also possible to use SNSVDD as the reference.)
- Enhanced ESD protection up to 6kV

The TSC2005 consists of the following blocks (refer to the [block diagram](#) on the front page):

- Touch Screen Interface
- Auxiliary Input (AUX)
- Temperature Sensor
- Acquisition Activity Preprocessing
- Internal Conversion Clock
- SPI Interface

Communication with the TSC2005 is done via an SPI serial interface. The TSC2005 is an SPI slave device; therefore, data are shifted into or out of the TSC2005 under control of the host microprocessor, which also provides the serial data clock.

Control of the TSC2005 and its functions is accomplished by writing to different registers in the TSC2005. A simple serial command protocol, compatible with SPI, is used to address these registers.

The measurement result is placed in the TSC2005 registers and may be read by the host at any time. This preprocessing frees up the host so that resources can be redirected for more critical tasks. Two optional signals are also available from the TSC2005 to indicate that data is available for the host to read. **PINTDAV** is a programmable interrupt/status output pin that can be programmed to indicate a pen-touch, data available, or the combination of both. [Figure 20](#) shows a typical application of the TSC2005.

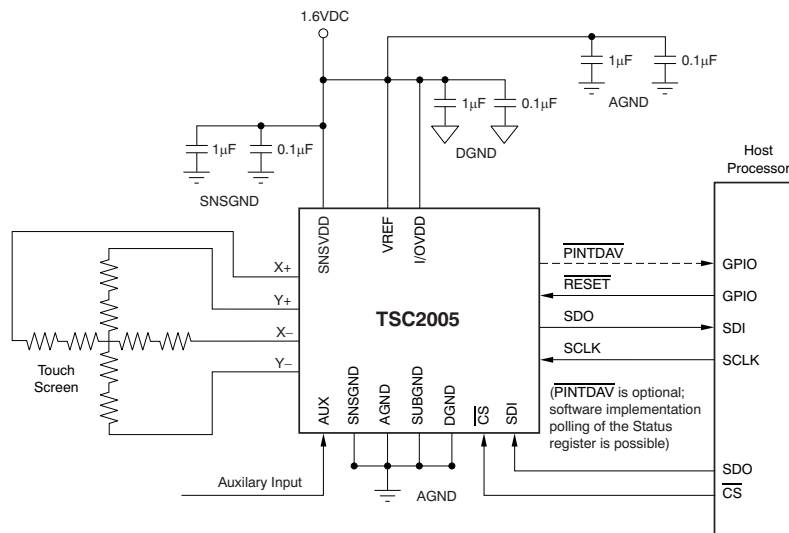


Figure 20. Typical Circuit Configuration

TOUCH SCREEN OPERATION

A resistive touch screen operates by applying a voltage across a resistor network and measuring the change in resistance at a given point on the matrix where the screen is touched by an input (stylus, pen, or finger). The change in the resistance ratio marks the location on the touch screen.

The TSC2005 supports the resistive 4-wire configurations, as shown in [Figure 21](#). The circuit determines location in two coordinate pair dimensions, although a third dimension can be added for measuring pressure.

4-WIRE TOUCH SCREEN COORDINATE PAIR MEASUREMENT

A 4-wire touch screen is typically constructed as shown in [Figure 21](#). It consists of two transparent resistive layers separated by insulating spacers.

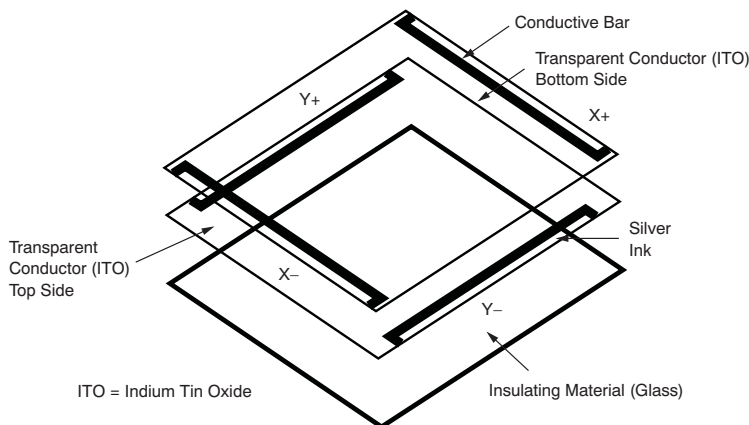


Figure 21. 4-Wire Touch Screen Construction

The 4-wire touch screen panel works by applying a voltage across the vertical or horizontal resistive network. The A/D converter converts the voltage measured at the point where the panel is touched. A measurement of the Y position of the pointing device is made by connecting the X+ input to a data converter chip, turning on the Y+ and Y– drivers, and digitizing the voltage seen at the X+ input. The voltage measured is determined by the voltage divider developed at the point of touch. For this measurement, the horizontal panel resistance in the X+ lead does not affect the conversion because of the high input impedance of the A/D converter.

Voltage is then applied to the other axis, and the A/D converter converts the voltage representing the X position on the screen. This process provides the X and Y coordinates to the associated processor.

Measuring touch pressure (Z) can also be done with the TSC2005. To determine pen or finger touch, the pressure of the *touch* must be determined. Generally, it is not necessary to have very high performance for this test; therefore, 10-bit resolution mode is recommended (however, data sheet calculations are shown using 12-bit resolution mode). There are several different ways of performing this measurement. The TSC2005 supports two methods. The first method requires knowing the X-plate resistance, the measurement of the X-Position, and two additional cross panel measurements (Z_2 and Z_1) of the touch screen (see [Figure 22](#)). [Equation 1](#) calculates the touch resistance:

$$R_{\text{TOUCH}} = R_{X\text{-plate}} \cdot \frac{X_{\text{Position}}}{4096} \left(\frac{Z_2}{Z_1} - 1 \right) \quad (1)$$

The second method requires knowing both the X-plate and Y-plate resistance, measurement of the X-Position and the Y-Position, and Z_1 . [Equation 2](#) also calculates the touch resistance:

$$R_{\text{TOUCH}} = \frac{R_{X\text{-plate}} \cdot X_{\text{Position}}}{4096} \left(\frac{4096}{Z_1} - 1 \right) - R_{Y\text{-plate}} \cdot \left(1 - \frac{Y_{\text{Position}}}{4096} \right) \quad (2)$$

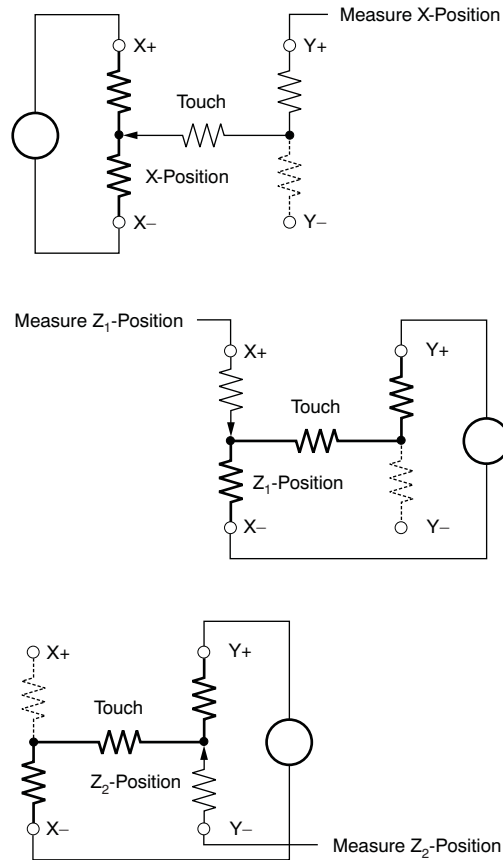


Figure 22. Pressure Measurement

When the touch panel is pressed or touched and the drivers to the panel are turned on, the voltage across the touch panel often overshoots and then slowly settles down (decays) to a stable dc value. This effect is a result of mechanical bouncing caused by vibration of the top layer sheet of the touch panel when the panel is pressed. This settling time must be accounted for, or else the converted value will be in error. Therefore, a delay must be introduced between the time the driver for a particular measurement is turned on, and the time a measurement is made.

In some applications, external capacitors may be required across the touch screen for filtering noise picked up by the touch screen (for example, noise generated by the LCD panel or back-light circuitry). The value of these capacitors provides a low-pass filter to reduce the noise, but will cause an additional settling time requirement when the panel is touched.

The TSC2005 offers several solutions to this problem. A programmable delay time is available that sets the delay between turning the drivers on and making a conversion. This delay is referred to as the *panel voltage stabilization time*, and is used in some of the TSC2005 modes. In other modes, the TSC2005 can be commanded to turn on the drivers only without performing a conversion. Time can then be allowed before the command is issued to perform a conversion.

The TSC2005 touch screen interface can measure position (X,Y) and pressure (Z). Determination of these coordinates is possible under three different modes of the A/D converter:

- TSMODE1—conversion controlled by the TSC2005 initiated by TSC;
- TSMODE2—conversion controlled by the TSC2005 initiated by the host responding to the $\overline{\text{PENIRQ}}$ signal; or
- TSMODE3—conversion completely controlled by the host processor.

INTERNAL TEMPERATURE SENSOR

In some applications, such as battery recharging, an ambient temperature measurement is required. The temperature measurement technique used in the TSC2005 relies on the characteristics of a semiconductor junction operating at a fixed current level. The forward diode voltage (V_{BE}) has a well-defined characteristic versus temperature. The ambient temperature can be predicted in applications by knowing the +25°C value of the V_{BE} voltage and then monitoring the delta of that voltage as the temperature changes.

The TSC2005 offers two modes of temperature measurement. The first mode requires calibration at a known temperature, but only requires a single reading to predict the ambient temperature. The TEMP1 diode, shown in Figure 23, is used during this measurement cycle. This voltage is typically 580mV at +25°C with a 10 μ A current. The absolute value of this diode voltage can vary by a few millivolts; the temperature coefficient (T_C) of this voltage is very consistent at $-2.1\text{mV}/^\circ\text{C}$. During the final test of the end product, the diode voltage would be stored at a known room temperature, in system memory, for calibration purposes by the user. The result is an equivalent temperature measurement resolution of 0.3°C/LSB (1LSB = 610 μ V with $V_{REF} = 2.5\text{V}$).

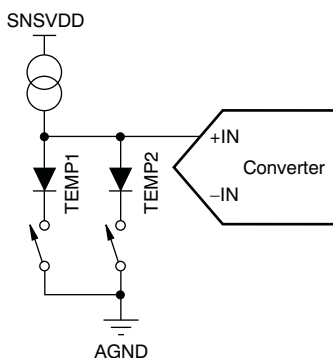


Figure 23. Functional Block Diagram of Temperature Measurement Mode

The second mode does not require a test temperature calibration, but uses a two-measurement (differential) method to eliminate the need for absolute temperature calibration and for achieving 2°C/LSB accuracy. This mode requires a second conversion of the voltage across the TEMP2 diode with a resistance 91 times larger than the TEMP1 diode. The voltage difference between the first (TEMP1) and second (TEMP2) conversion is represented by:

$$\Delta V = \frac{kT}{q} \cdot \ln(N) \quad (3)$$

Where:

N = the resistance ratio = 91.

k = Boltzmann's constant = 1.3807×10^{-23} J/K (joules/kelvins).

q = the electron charge = 1.6022×10^{-19} C (coulombs).

T = the temperature in kelvins (K).

This method can provide much improved absolute temperature measurement, but a lower resolution of 1.6°C/LSB. The resulting equation to solve for T is:

$$T = \frac{q \cdot \Delta V}{k \cdot \ln(N)} \quad (4)$$

Where:

$\Delta V = V_{BE}(\text{TEMP2}) - V_{BE}(\text{TEMP1})$ (in mV).

$\therefore T = 2.573 \cdot \Delta V$ (in K),

or $T = 2.573 \cdot \Delta V - 273$ (in °C).

Temperature 1 and/or temperature 2 measurements have the same timing as Figure 39.

ANALOG-TO-DIGITAL CONVERTER

Figure 24 shows the analog inputs of the TSC2005. The analog inputs (X, Y, and Z touch panel coordinates, chip temperature and auxiliary inputs) are provided via a multiplexer to the Successive Approximation Register (SAR) Analog-to-Digital (A/D) converter. The A/D architecture is based on capacitive redistribution architecture, which inherently includes a sample-and-hold function.

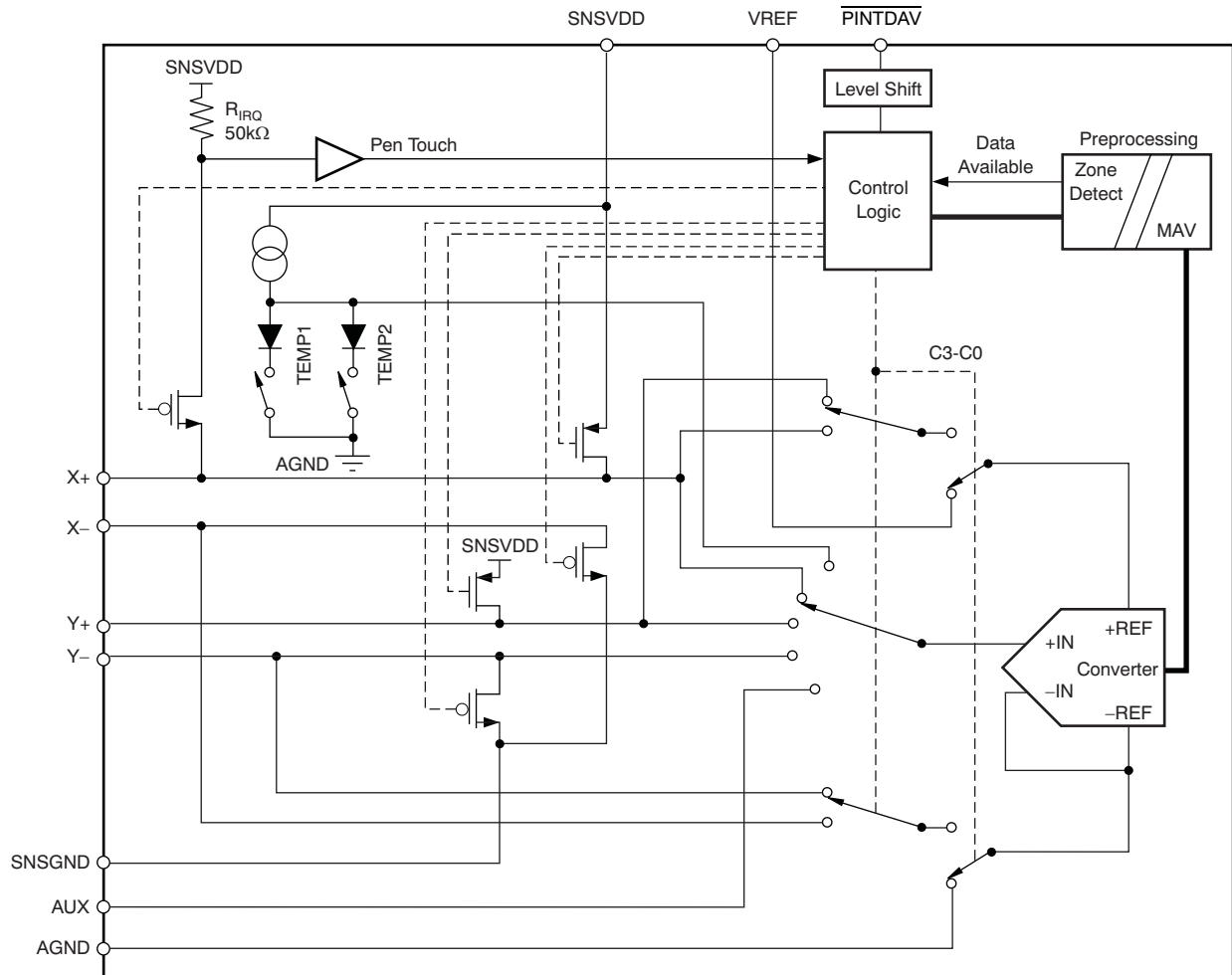


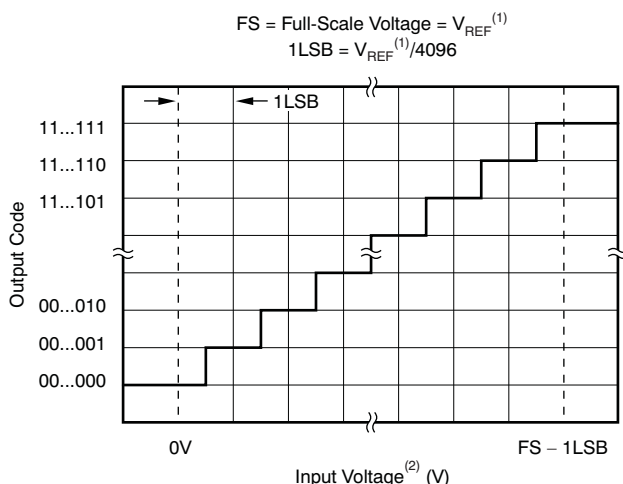
Figure 24. Simplified Diagram of the Analog Input Section

A unique configuration of low on-resistance switches allows an unselected A/D converter input channel to provide power and an accompanying pin to provide ground for driving the touch panel. By maintaining a differential input to the converter and a differential reference input architecture, it is possible to negate errors caused by the driver switch on-resistances.

The A/D converter is controlled by two A/D Converter Control registers. Several modes of operation are possible, depending on the bits set in the control registers. Channel selection, scan operation, preprocessing, resolution, and conversion rate may all be programmed through these registers. These modes are outlined in the sections that follow for each type of analog input. The conversion results are stored in the appropriate result register.

Data Format

The TSC2005 output data is in Straight Binary format as shown in Figure 25. This figure shows the ideal output code for the given input voltage and does not include the effects of offset, gain, or noise.



- (1) Reference voltage at converter: +REF – (–REF). See Figure 24.
 (2) Input voltage at converter, after multiplexer: +IN – (–IN). See Figure 24.

Figure 25. Ideal Input Voltages and Output Codes

Reference

The TSC2005 uses an external voltage reference that applied to the VREF pin. It is possible to use VDD as the reference voltage because the upper reference voltage range is the same as the supply voltage range, .

Variable Resolution

The TSC2005 provides either 10-bit or 12-bit resolution for the A/D converter. Lower resolution is often practical for measuring slow changing signals such as touch pressure. Performing the conversions at lower resolution reduces the amount of time it takes for the A/D converter to complete its conversion process, which also lowers power consumption.

Conversion Clock and Conversion Time

The TSC2005 contains an internal clock (oscillator) that drives the internal state machines that perform the many functions of the part. This clock is divided down to provide a conversion clock for the A/D converter. The division ratio for this clock is set in the A/D Converter Control register (see Table 15). The ability to change the conversion clock rate allows the user to choose the optimal values for resolution, speed, and power dissipation. If the 4MHz (oscillator) clock is used directly as the A/D converter clock (when CL[1:0] = (0,0)), the A/D converter resolution is limited to 10-bits. Using higher resolutions at this speed does not result in more accurate conversions. 12-bit resolution requires that CL[1:0] is set to (0,1) or (1,0).

Regardless of the conversion clock speed, the internal clock runs nominally at 3.8MHz at a 3V supply (SNSVDD) and slows down to 3.6MHz at a 1.6V supply. The conversion time of the TSC2005 depends on several functions. While the conversion clock speed plays an important role in the time it takes for a conversion to complete, a certain number of internal clock cycles are needed for proper sampling of the signal. Moreover, additional times (such as the panel voltage stabilization time), can add significantly to the time it takes to perform a conversion. Conversion time can vary depending on the mode in which the TSC2005 is used. Throughout this data sheet, internal and conversion clock cycles are used to describe the amount of time that many functions take. These times must be taken into account when considering the total system design.

Touch Detect

$\overline{\text{PINTDAV}}$ can be programmed to generate an interrupt to the host. Figure 26 details an example for the Y-position measurement. While in the power-down mode, the Y– driver is on and connected to GND. The internal pen-touch signal depends on whether or not the X+ input is driven low. When the panel is touched, the X+ input is pulled to ground through the touch screen and the internal pen-touch output is set to low because of the detection on the current path through the panel to GND, which initiates an interrupt to the processor. During the measurement cycles for X- and Y-Position, the X+ input is disconnected, which eliminates any leakage current from the pull-up resistor to flow through the touch screen, thus causing no errors.

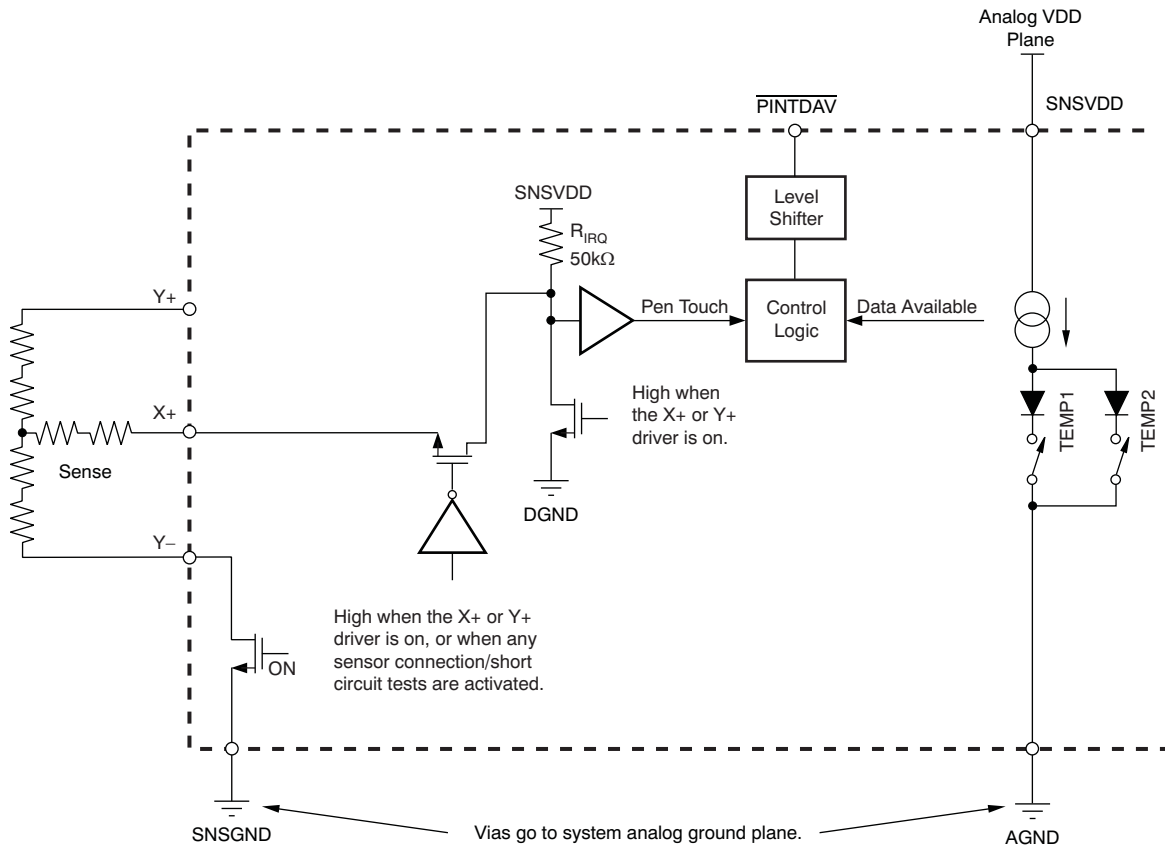


Figure 26. Example of a Pen-Touch Induced Interrupt via the $\overline{\text{PINTDAV}}$ Pin

In modes where the TSC2005 must detect whether or not the screen is still being touched (for example, when doing a pen-touch initiated X, Y, and Z conversion), the TSC2005 must reset the drivers so that the R_{IRQ} resistor is connected again. Because of the high value of this pull-up resistor, any capacitance on the touch screen inputs will cause a long delay time, and may prevent the detection from occurring correctly. To prevent this possible delay, the TSC2005 has a circuit that allows any screen capacitance to be *precharged*, so that the pull-up resistor does not have to be the only source for the charging current. The time allowed for this precharge, as well as the time needed to sense if the screen is still touched, can be set in the configuration register.

This configuration underscores the need to use the minimum possible capacitor values on the touch screen inputs. These capacitors may be needed to reduce noise, but too large a value will increase the needed precharge and sense times, as well as the panel voltage stabilization time.

Preprocessing

The TSC2005 offers an array of powerful preprocessing operations that reduce unnecessary traffic on the bus and reduce host processor loading. This reduction is especially critical for the serial interface, where limited bandwidth is a tradeoff, keeping the connection lines to a minimum.

All data acquisition tasks are looking for specific data that meet certain criteria. Many of these tasks fall into a predefined range, while other tasks may be looking for a value in a noisy environment. If these data are all to be retrieved by host processor for processing, the limited bus bandwidth will be quickly saturated, along with the host processor processing capability. In any case, the host processor must always be reserved for more critical tasks, not for routine work.

The preprocessing unit consists of two main functions: the combined MAV filter (median value filter and averaging filter), followed by the zone detection.

Preprocessing - Median Value Filter and Averaging Value Filter

The first preprocessing function, a combined MAV filter, can be operated independently as a median value filter (MVF), an averaging value filter (AVF) and a combined filter (MAVF).

If the acquired signal source is noisy because of the digital switching circuit, it may be necessary to evaluate the data without noise. In this case, the median value filter (MVF) operation helps to discard the noise. The array of N converted results is first sorted. The return value is either the middle (median value) of an array of M converted results, or the average value of a window size of W of converted results:

- N = the total number of converted results used by the MAV filter
- M = the median value filter size programmed
- W = the averaging window size programmed

If $M = 1$, then $N = W$. A special case is $W = 1$, which means the MAVF is bypassed. Otherwise, if $W > 1$, only averaging is performed on these converted results. In either case, the return value is the averaged value of window size W of converted results. If $M > 1$ and $W = 1$, then $N = M$, meaning only the median value filter is operating. The return value is the middle position converted result from the array of M converted results. If $M > 1$ and $W > 1$, then $N = M$. In this case, $W < M$. The return value is the averaged value of middle portion W of converted results out of the array of M converted results. Since the value of W is an odd number in this case, the averaging value is calculated with the middle position converted result counted twice (so a total of $W + 1$ converted results are averaged).

Table 1. Median Value Filter Size Selection

| M1 | M0 | MEDIAN VALUE FILTER M = | POSSIBLE AVERAGING WINDOW SIZE W = |
|----|----|----------------------------|---------------------------------------|
| 0 | 0 | 1 | 1, 4, 8, 16 |
| 0 | 1 | 3 | 1 |
| 1 | 0 | 7 | 1, 3 |
| 1 | 1 | 15 | 1, 3, 7 |

Table 2. Averaging Value Filter Size Selection

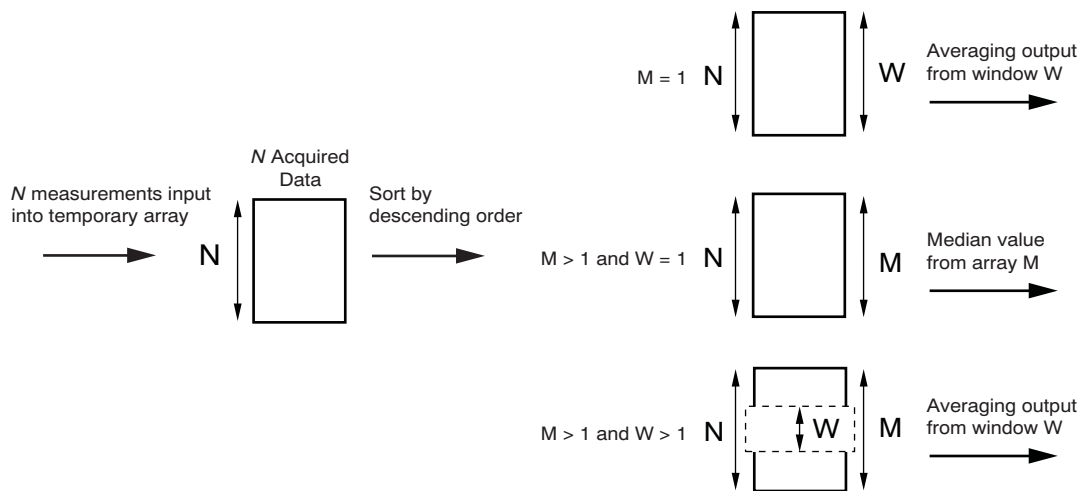
| W1 | W0 | AVERAGING VALUE FILTER SIZE SELECTION W = | |
|----|----|--|----------|
| | | M = 1 (Averaging Only) | M > 1 |
| 0 | 0 | 1 | 1 |
| 0 | 1 | 4 | 3 |
| 1 | 0 | 8 | 7 |
| 1 | 1 | 16 | Reserved |

NOTE: The default setting for MAVF is MVF (median value filter with averaging bypassed) for any invalid configuration. For example, if $(M1, M0, W1, W0) = (1,0,1,0)$, the MAVF performs as it was configured for $(1,0,0,0)$, median filter only with filter size = 7 and no averaging. The only exception is $M > 1$ and $(W1, W0) = (1,1)$. This setting is reserved and should not be used.

Table 3. Combined MAV Filter Setting

| M | W | INTERPRETATION | N = | OUTPUT |
|-----|-----|-------------------------|-----|--|
| = 1 | = 1 | Bypass both MAF and AVF | W | The converted result |
| = 1 | > 1 | Bypass MVF only | W | Average of W converted results |
| > 1 | = 1 | Bypass AVF only | M | Median of M converted results |
| > 1 | > 1 | $M > W$ | M | Average of middle W of M converted results with the median counted twice |

The MAV filter is available for all analog inputs including the touch screen inputs, temperature measurements TEMP1 and TEMP2, and the AUX measurement.

**Figure 27. MAV Filter Operation (patent pending)**

Zone Detection

The Zone Detection unit is capable of screening all processed data from the MAVF and retaining only the data of interest (data that fit the prerequisite). This unit can be programmed to send an alert if a predefined condition set by two threshold value registers is met. Three different zones may be set:

1. Above the upper limit ($X \geq \text{Threshold High}$)
2. Between the two thresholds ($\text{Threshold Low} < X < \text{Threshold High}$)
3. Below the lower limit ($X \leq \text{Threshold Low}$)

The AUX and temperatures TEMP1 and TEMP2 have separate threshold value registers that can be enabled or disabled. This function is not available to the touch screen inputs. Once the preset condition is met, the $\overline{\text{DAV}}$ output to the $\overline{\text{PINTDAV}}$ pin is pulled low and the corresponding DAV bit is set.

DIGITAL INTERFACE

The TSC2005 communicates through a standard SPI bus. The SPI allows full-duplex, synchronous, serial communication between a host processor (the master) and peripheral devices (slaves). The SPI master generates the synchronizing clock and initiates transmissions. The SPI slave devices depend on a master to start and synchronize transmissions.

A transmission begins when initiated by a master SPI. The byte from the master SPI begins shifting in on the slave SDI (MOSI—master out, slave in) pin under the control of the master serial clock. As the byte shifts in on the SDI (MOSI) pin, a byte shifts out on the SDO (MISO—master in, slave out) pin to the master shift register.

The idle state of the TSC2005 serial clock is logic low, which corresponds to a clock polarity setting of 0 (typical microprocessor SPI control bit CPOL = 0). The TSC2005 interface is designed so that with a clock phase bit setting of 0 (typical microprocessor SPI control bit CPHA = 0), the master begins driving its MOSI pin and the slave begins driving its MISO pin half an SCLK before the first serial clock edge. The \overline{CS} (\overline{SS} , slave select) pin can remain low between transmissions.

Table 4. Standard SPI Signal Names vs Common Serial Interface Signal Names

| SPI SIGNAL NAMES | COMMON SERIAL INTERFACE NAMES |
|--------------------------------|-------------------------------|
| \overline{SS} (Slave Select) | \overline{CS} (Chip Select) |
| MISO (Master In Slave Out) | SDO (Serial Data Out) |
| MOSI (Master Out Slave In) | SDI (Serial Data In) |

CONTROL BYTE

**Table 5. Control Byte Format:
Start a Conversion and Mode Setting**

| MSB D7 | D6 | D5 | D4 | D3 | D2 | D1 | LSB D0 |
|-----------------------|----|----|----|----|-------------------------|-------|-------------------|
| 1 (Control Byte 1) | C3 | C2 | C1 | C0 | RM | SWRST | STS |
| 0 (Control Byte 0) | A3 | A2 | A1 | A0 | Reserved (Write '0') | PND0 | R/ \overline{W} |

Table 6. Control Byte 1 Bit Register Description (D7 = 1)

| BIT | NAME | DESCRIPTION |
|-------|-----------------|--|
| D7 | Control Byte ID | 1 |
| D6-D3 | C3-C0 | Converter Function Select as detailed in Table 7 |
| D2 | RM | 0: 10 Bit 1: 12 Bit |
| D1 | SWRST | Software Reset 1: Reset all register values to default |
| D0 | STS | Stop bit for all converter functions |

Bit D7: Control Byte ID

1: Control Byte 1 (start conversion and channel select and conversion-related configuration).

0: Control Byte 0 (read/write data registers and non-conversion-related controls).

Bits D6-D3: C3-C0

Converter function select bits. These bits select the input to be converted, and the converter function to be executed. [Table 7](#) lists the possible converter functions.

Table 7. Converter Function Select

| C3 | C2 | C1 | C0 | FUNCTION |
|----|----|----|----|--|
| 0 | 0 | 0 | 0 | Touch screen scan function: X, Y, Z ₁ , and Z ₂ coordinates converted and the results returned to X, Y, Z ₁ , and Z ₂ data registers. Scan continues until either the pen is lifted or a stop bit is sent. |
| 0 | 0 | 0 | 1 | Touch screen scan function: X and Y coordinates converted and the results returned to X and Y data registers. Scan continues until either the pen is lifted or a stop bit is sent. |
| 0 | 0 | 1 | 0 | Touch screen scan function: X coordinate converted and the results returned to X data register. |
| 0 | 0 | 1 | 1 | Touch screen scan function: Y coordinate converted and the results returned to Y data register. |
| 0 | 1 | 0 | 0 | Touch screen scan function: Z ₁ and Z ₂ coordinates converted and the results returned to Z ₁ and Z ₂ data registers. |
| 0 | 1 | 0 | 1 | Auxiliary input converted and the results returned to the AUX data register. |
| 0 | 1 | 1 | 0 | A temperature measurement is made and the results returned to the Temperature Measurement 1 data register. |
| 0 | 1 | 1 | 1 | A differential temperature measurement is made and the results returned to the Temperature Measurement 2 data register. |
| 1 | 0 | 0 | 0 | Auxiliary input is converted <i>continuously</i> and the results returned to the AUX data register. |
| 1 | 0 | 0 | 1 | Touch screen panel connection to X-axis drivers is tested. The test result is output to $\overline{\text{PINTDAV}}$ and shown in STATUS register. |
| 1 | 0 | 1 | 0 | Touch screen panel connection to Y-axis drivers is tested. The test result is output to $\overline{\text{PINTDAV}}$ and shown in STATUS register. |
| 1 | 0 | 1 | 1 | Touch screen panel short-circuit (between X and Y plates) is tested through X-axis. The test result is output to $\overline{\text{PINTDAV}}$ and shown in the STATUS register. |
| 1 | 1 | 0 | 0 | RESERVED (Note: any condition caused by this command can be cleared by setting the STS bit to 1). |
| 1 | 1 | 0 | 1 | Turn on X+, X– drivers |
| 1 | 1 | 1 | 0 | Turn on Y+, Y– drivers |
| 1 | 1 | 1 | 1 | Turn on Y+, X– drivers |

Touch Screen Scan Function for XYZ or XY

C3-C0 = 0000 or 0001: These scan functions can collaborate with the PSM bit that defines the control mode of converter functions. If the PSM bit is set to '1', these scan function select commands are recommended to be issued before a pen touch is detected in order to allow the TSC2005 to initiate and control the scan processes immediately after the screen is touched. If these functions are not issued before a pen touch is detected, the TSC2005 waits for the host to write these functions before starting a scan process. If PSM stays as '1' after a TSC-initiated scan function is complete, the host is not required to write these function select bits again for each of the following pen touches after the detected touch. In the host-controlled converter function mode (PSM = 0), the host must send these functions select bits repeatedly for each scan function after a detected pen touch.

Touch Screen Sensor Connection Tests for X-Axis and Y-Axis

Range of resistances of different touch screen panels can be selected by setting the TBM bits in CFR1; see [Table 20](#). Once the resistance of the sensor panel is selected, two continuity tests are run separately for the X-axis and Y-axis. The unit under test must pass both connection tests to ensure that a proper connection is secured.

C3-C0 = 1001: $\overline{\text{PINTDAV}} = 0$ during this connection test. A '1' shown at end of the test indicates the X-axis drivers are well-connected to the sensor; otherwise, X-axis drivers are poorly connected. If drivers fail to connect, then $\overline{\text{PINTDAV}}$ stays low until a stop bit (STS set to '1') is issued.

C3-C0 = 1010: $\overline{\text{PINTDAV}} = 0$ during this connection test. A '1' shown at end of the test indicates the Y-axis drivers are well-connected to the sensor; otherwise, Y-axis drivers are poorly connected. If the drivers are fail to connect, then $\overline{\text{PINTDAV}}$ stays low until a stop bit (STS set to '1') is issued.

Touch Sensor Short-Circuit Test

If the TBM bits of CFR1 detailed in [Table 20](#) are all set to '1', a short-circuit in the touch sensor can be detected.

C3-C0 = 1011: $\overline{\text{PINTDAV}} = 0$ during this short-circuit test. A '1' shown at end of the test indicates there is no short-circuit detected (through X-axis) between the flex and stable layers. If there is a short-circuit detected, $\overline{\text{PINTDAV}}$ stays low until a stop bit (STS set to '1') is issued.

C3-C0 = 1100: Reserved.

RM—Resolution select. If $\text{RM} = 1$, the conversion result resolution is 12-bit; otherwise, the resolution is 10-bit. This bit is the same RM bit shown in CFR0.

SWRST—Software reset input. All register values are set to default value if a '1' is written to this bit. This bit must be set to '0' in Control Byte 1 in order to cancel the software reset and resume normal operation.

STS—Stop bit for all converter functions. When writing a '1' to this register, this bit aborts the converter function currently running in the TSC2005. A '0' must be written to this register in order to end the stop bit. This bit can only stop converter functions; it does not reset any data, status, or configuration registers. This bit is the same STS bit shown in CFR0, but can only be read through the CFR0 register with different interpretations.

Table 8. STS Bit Operation

| OPERATION | VALUE | DESCRIPTION |
|-----------|-------|---|
| Write | 0 | Normal operation |
| Write | 1 | Stop converter functions and power down |

Table 9. Control Byte 0 Bit Register Description (D7 = 0)

| BIT | NAME | DESCRIPTION |
|-------|-------------------------|--|
| D7 | Control Byte ID | 1: Control Byte 1—start conversion, channel select, and conversion-related configuration 0: Control Byte 0—read/write data registers and non-conversion-related controls |
| D6-D3 | A3-A0 | Register Address Bits as detailed in Table 10 |
| D2 | RESERVED | A '0' must be set in this bit for normal operation |
| D1 | PND0 | Power Not Down Control 1: A/D converter biasing circuitry is always on between conversions, but is shut down after the converter function stops 0: A/D converter biasing circuitry is shut down either between conversions or after the converter function stops |
| D0 | $\overline{\text{R/W}}$ | TSC Internal Register Data Flow Control 1: Read from TSC internal registers 0: Write to TSC internal registers |

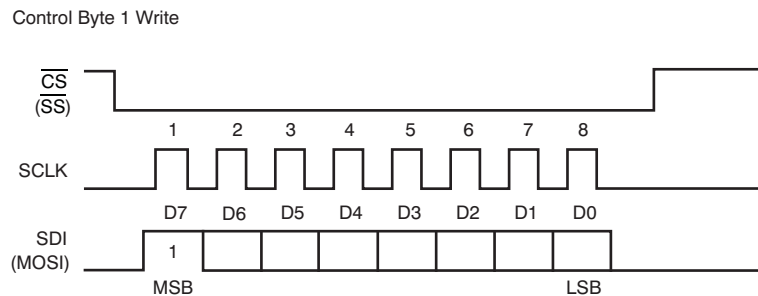
Table 10. Internal Register Map

| REGISTER ADDRESS | | | | REGISTER CONTENT | READ/WRITE |
|------------------|----|----|----|---|------------|
| A3 | A2 | A1 | A0 | | |
| 0 | 0 | 0 | 0 | X measurement result | R |
| 0 | 0 | 0 | 1 | Y measurement result | R |
| 0 | 0 | 1 | 0 | Z ₁ measurement result | R |
| 0 | 0 | 1 | 1 | Z ₂ measurement result | R |
| 0 | 1 | 0 | 0 | AUX measurement result | R |
| 0 | 1 | 0 | 1 | Temp1 measurement result | R |
| 0 | 1 | 1 | 0 | Temp2 measurement result | R |
| 0 | 1 | 1 | 1 | Status | R |
| 1 | 0 | 0 | 0 | AUX high threshold | R/W |
| 1 | 0 | 0 | 1 | AUX low threshold | R/W |
| 1 | 0 | 1 | 0 | Temp high threshold (apply to both TEMP1 and TEMP2) | R/W |
| 1 | 0 | 1 | 1 | Temp low threshold (apply to both TEMP1 and TEMP2) | R/W |
| 1 | 1 | 0 | 0 | CFR0 | R/W |
| 1 | 1 | 0 | 1 | CFR1 | R/W |
| 1 | 1 | 1 | 0 | CFR2 | R/W |
| 1 | 1 | 1 | 1 | Converter function select status | R |

R/W—Register read and write control. A '1' indicates the contents of the internal register addressed by A3-A0 are sent to SDO at the next SPI interface clock cycle. A '0' indicates the data following Control Byte 0 on SDI are written into registers addressed by A3-A0.

START A CONVERTER FUNCTION (CONTROL BYTE 1)

Control Byte 1 must begin with D7 = 1, as shown in [Figure 28](#). Control Byte 1 starts the converter function that is chosen by C3-C0, as shown in [Table 7](#). After sending Control Byte 1, the master does not need to hold \overline{CS} low, and can release \overline{CS} for operating other slave devices that share the same SCLK. After the converter function completes or stops, the preprocessed data or data set are stored in data registers and can be read by sending Control Byte 0 with Read Bit and a proper address in A3-A0. For the detailed operating procedures, see the [Operation](#) section.

**Figure 28. Interface Timing — Control Byte 1**

REGISTER ACCESS (Control Byte 0 with $\overline{R/\overline{W}}$ Bit)

Control byte 0, beginning with $D7 = 0$, is used to access the internal registers. This control byte uses the last bit, $D0$, to control the flow of data. If $D0$ is '1', then the content of the register pointed to by the address bits ($A3-A0$) is output to \overline{SDO} (\overline{MISO}) in the next cycle. Otherwise, the data coming from \overline{SDI} (\overline{MOSI}) are written to the register properly pointed to by the address bits in the control byte (if the write mode is available for the pointed register). After Control Byte 0 with Read/Write Bit followed by a 16-bit word on $\overline{SDO}/\overline{SDI}$ completes, the master can hold \overline{CS} low to send another Control Byte 0 with Read/Write Bit followed by a 16-bit word on $\overline{SDO}/\overline{SDI}$ as many times as the master is able to operate.

Read Register Via Control Byte 0

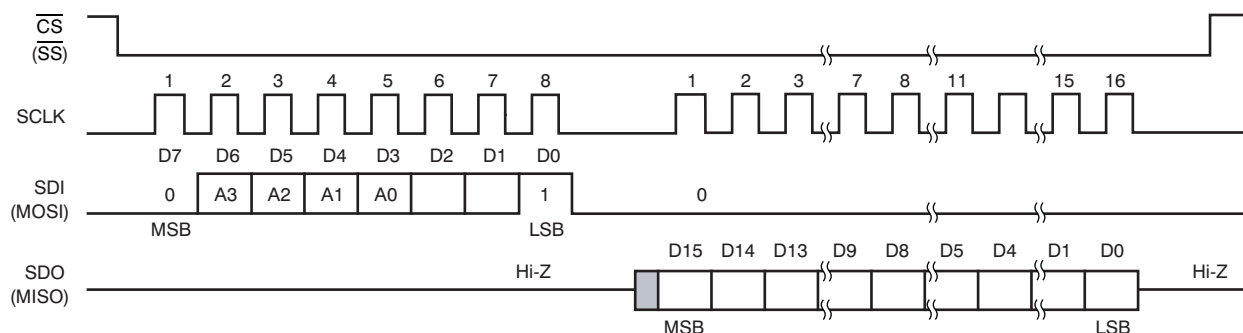


Figure 29. Interface Timing — Sending Control Byte 0 with Read Bit

Write to Register Via Control Byte 0

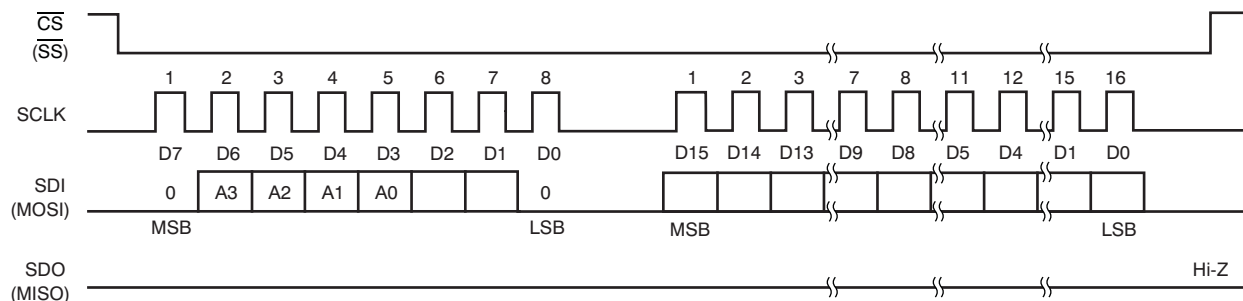


Figure 30. Interface Timing — Sending Control Byte 0 with Write Bit

COMMUNICATION PROTOCOL

The TSC2005 is controlled entirely by registers. Reading and writing to these registers are accomplished by the use of Control Byte 0, which includes a 4-bit address plus one read/write TSC register control bit. The data registers defined in [Table 10](#) are all 16-bit, right-adjusted. **NOTE:** Except for some configuration registers and the Status register that are full 16-bit registers, the value registers are 12-bit (or 10-bit) data preceded by four (or six) zeros.

Configuration Register 0

Table 11. Configuration Register 0 (Reset Value = 4000h for Read; 0000h for Write)

| MSB D15 | D14 | D13 | D12 | D11 | D10 | D9 | D8 | D7 | D6 | D5 | D4 | D3 | D2 | D1 | LSB D0 |
|------------|-----|-----|-----|-----|-----|-----|-----|-----|-----|-----|-----|-----|-----|-----|-----------|
| PSM | STS | RM | CL1 | CL0 | PV2 | PV1 | PV0 | PR2 | PR1 | PR0 | SN2 | SN1 | SN0 | DTW | LSM |

PSM—Pen status/control mode. Reading this bit allows the host to determine if the screen is touched. Writing to this bit selects the mode used to control the flow of converter functions that are either initiated and/or controlled by host or under control of the TSC2005 responding to a pen touch. When reading, the PSM bit indicates if the pen is down or not. When writing to this register, this bit determines if the TSC2005 controls the converter functions, or if the converter functions are host-controlled. The default state is the host-controlled converter function mode (0). The other state (1) is the TSC-initiated scan function mode that must only collaborate with C3-C0 = 0000 or 0001 in order to allow the TSC2005 to initiate and control the scan function for XYZ or XY when a pen touch is detected.

Table 12. PSM Bit Operation

| OPERATION | VALUE | DESCRIPTION |
|-----------|-------|---|
| Read | 0 | No screen touch detected |
| Read | 1 | Screen touch detected |
| Write | 0 | Converter functions initiated and/or controlled by host |
| Write | 1 | Converter functions initiated and controlled by the TSC2005 |

STS—A/D converter status. When reading, this bit indicates if the converter is busy or not busy. Continuous scans or conversions can be stopped by writing a '1' to this bit, immediately aborting the running converter function (even if the pen is still down) and causing the A/D converter to power down. The default state for write is 0 (normal operation), and the default state for read is 1 (converter is not busy). **NOTE:** The same bit can be written through Control Byte 1.

Table 13. STS Bit Operation

| OPERATION | VALUE | DESCRIPTION |
|-----------|-------|--|
| Read | 0 | Converter is busy |
| Read | 1 | Converter is not busy |
| Write | 0 | Normal operation |
| Write | 1 | Stop converter function and power down |

RM—Resolution control. The A/D converter resolution is specified with this bit. See [Table 14](#) for a description of these bits. This bit is the same whether reading or writing, and defaults to 0. Note that the same bit can be written through Control Byte 1.

Table 14. A/D Converter Resolution Control

| RM | FUNCTION |
|----|--|
| 0 | 10-bit resolution. Power-up and reset default. |
| 1 | 12-bit resolution |

CL1, CL0—Conversion clock control. These two bits specify the clock rate that the A/D converter uses to perform conversion, as shown in [Table 15](#). These bits are the same whether reading or writing.

Table 15. A/D Converter Conversion Clock Control

| CL1 | CL0 | FUNCTION |
|-----|-----|---|
| 0 | 0 | $f_{ADC} = f_{OSC}/1$. This is referred to as the 4MHz A/D converter clock rate, 10-bit resolution only. |
| 0 | 1 | $f_{ADC} = f_{OSC}/2$. This is referred to as the 2MHz A/D converter clock rate. |
| 1 | 0 | $f_{ADC} = f_{OSC}/4$. This is referred to as the 1MHz A/D converter clock rate. |
| 1 | 1 | Reserved |

PV2-PV0—Panel voltage stabilization time control. These bits specify a delay time from the moment the touch screen drivers are enabled to the time the voltage is sampled and a conversion is started. These bits allow the user to adjust the appropriate settling time for the touch panel and external capacitances. See [Table 16](#) for settings of these bits. The default state is 000, indicating a 0 μ s stabilization time. These bits are the same whether reading or writing.

Table 16. Panel Voltage Stabilization Time Control

| PV2 | PV1 | PV0 | STABILIZATION TIME (t_{PVS}) |
|-----|-----|-----|----------------------------------|
| 0 | 0 | 0 | 0 μ s |
| 0 | 0 | 1 | 100 μ s |
| 0 | 1 | 0 | 500 μ s |
| 0 | 1 | 1 | 1ms |
| 1 | 0 | 0 | 5ms |
| 1 | 0 | 1 | 10ms |
| 1 | 1 | 0 | 50ms |
| 1 | 1 | 1 | 100ms |

PR2-PR0—Precharge time selection. These bits set the amount of time allowed for precharging any pin capacitance on the touch screen prior to sensing if a pen touch is happening.

Table 17. Precharge Time Selection

| PR2 | PR1 | PR0 | PRECHARGE TIME(t_{PRE}) |
|-----|-----|-----|-----------------------------|
| 0 | 0 | 0 | 20 μ s |
| 0 | 0 | 1 | 84 μ s |
| 0 | 1 | 0 | 276 μ s |
| 0 | 1 | 1 | 340 μ s |
| 1 | 0 | 0 | 1.044ms |
| 1 | 0 | 1 | 1.108ms |
| 1 | 1 | 0 | 1.300ms |
| 1 | 1 | 1 | 1.364ms |

SNS2-SNS0—Sense time selection. These bits set the amount of time the TSC2005 waits to sense whether the screen is touched after converting a coordinate.

Table 18. Sense Time Selection

| SNS2 | SNS1 | SNS0 | SENSE TIME (t_{SNS}) |
|------|------|------|--------------------------|
| 0 | 0 | 0 | 32 μ s |
| 0 | 0 | 1 | 96 μ s |
| 0 | 1 | 0 | 544 μ s |
| 0 | 1 | 1 | 608 μ s |
| 1 | 0 | 0 | 2.080ms |
| 1 | 0 | 1 | 2.144ms |
| 1 | 1 | 0 | 2.592ms |
| 1 | 1 | 1 | 2.656ms |

DTW—Detection of pen touch in wait (patent pending). Writing a '1' to this bit enables the pen touch detection in background while waiting for the host to issue the converter function in host-initiated/controlled modes. This detection in background allows the TSC2005 to pull high at PINTDAV to indicate no pen touch detected while waiting for the host to issue the converter function. If the host polls a high state at PINTDAV before the convert function is sent, the host can abort the issuance of the convert function and stay in the polling PINTDAV mode until the next pen touch is detected.

LSM—Longer sampling mode. When this bit is set to '1', the extra 500ns of sampling time is added to the normal sampling cycles of each conversion. This additional time is represented as approximately two internal oscillator clock cycles.

Configuration Register 1

Configuration register 1 (CFR1) defines the connection test-bit modes configuration and the batch delay selection.

Table 19. Configuration Register 1 (Reset Value = 0000h)

| MSB D15 | D14 | D13 | D12 | D11 | D10 | D9 | D8 | D7 | D6 | D5 | D4 | D3 | D2 | D1 | LSB D0 |
|------------|--------|--------|--------|------|------|------|------|--------|--------|--------|--------|--------|------|------|-----------|
| Resrvd | Resrvd | Resrvd | Resrvd | TBM3 | TBM2 | TBM1 | TBM0 | Resrvd | Resrvd | Resrvd | Resrvd | Resrvd | BTD2 | BTD1 | BTD0 |

TBM3-TBM0—Connection test-bit modes (patent pending). These bits specify the mode of test bits used for the predefined range of the combined X-axis and Y-axis touch screen panel resistance (R_{TS}).

Table 20. Touch Screen Resistance Range and Test-Bit Modes

| TEST-BIT MODES | | | | R_{TS} (k Ω) |
|----------------|------|------|------|-----------------------------------|
| TBM3 | TBM2 | TBM1 | TBM0 | |
| 0 | 0 | 0 | 0 | 0.17 |
| 0 | 0 | 0 | 1 | $0.17 < R_{TS} \leq 0.52$ |
| 0 | 0 | 1 | 0 | $0.52 < R_{TS} \leq 0.86$ |
| 0 | 0 | 1 | 1 | $0.86 < R_{TS} \leq 1.6$ |
| 0 | 1 | 0 | 0 | $1.6 < R_{TS} \leq 2.2$ |
| 0 | 1 | 0 | 1 | $2.2 < R_{TS} \leq 3.6$ |
| 0 | 1 | 1 | 0 | $3.6 < R_{TS} \leq 5.0$ |
| 0 | 1 | 1 | 1 | $5.0 < R_{TS} \leq 7.8$ |
| 1 | 0 | 0 | 0 | $7.8 < R_{TS} \leq 10.5$ |
| 1 | 0 | 0 | 1 | $10.5 < R_{TS} \leq 16.0$ |
| 1 | 0 | 1 | 0 | $16.0 < R_{TS} \leq 21.6$ |
| 1 | 0 | 1 | 1 | $21.6 < R_{TS} \leq 32.6$ |
| 1 | 1 | 0 | 0 | Reserved |
| 1 | 1 | 0 | 1 | Reserved |
| 1 | 1 | 1 | 0 | Reserved |
| 1 | 1 | 1 | 1 | Only for short-circuit panel test |

BTD2-BTD0—Batch Time Delay mode. These are the selection bits that specify the delay before a sample/conversion scan cycle is triggered. When it is set, Batch Time Delay mode uses a set of timers to automatically trigger a sequence of sample-and-conversion events. The mode works for both TSC-initiated scans (XYZ or XY) and host-initiated scans (XYZ or XY).

A TSC-initiated scan (XYZ or XY) can be configured by setting the PSM bit in CFR0 to '1' and C[3:0] in Control Byte 1 to '0000' or '0001'. In the case of a TSC-initiated scan (XYZ or XY), the sequence begins with the TSC responding to a pen touch. After the first processed sample set completes during the batch delay, the scan enters a wait mode until the end of the batch delay is reached. If a pen touch is still detected at that moment, the scan continues to process the next sample set, and the batch delay is resumed. The throughput of the processed sample sets (shown in [Table 21](#) as sample sets per second, or SSPS) is regulated by the selected batch delay during the time of the detected pen touch. A TSC-initiated scan (XYZ or XY) can be configured by setting the PSM bit in CFR0 to '1' and C[3:0] in Control Byte 1 to '0000' or '0001'. Note that the throughput of the processed sample set also depends on the settings of stabilization, precharge, and sense times, and the total number of samples to be processed per coordinates. If the accrual time of these factors exceeds the batch delay time, the accrual time dominates. Batch delay time starts when the pen touch initiates the scan function that converts coordinates.

A host-initiated scan (XYZ or XY) can be configured by setting the PSM bit in CFR0 to '0' and C[3:0] in Control Byte 1 to '0000' or '0001'. For the host-initiated scan (XYZ or XY), the host must set TSC internal register C[3:0] in Control Byte 1 to '0000' or '0001' initially after a pen touch is detected; see [Conversion Controlled by TSC2005 Initiated by Host \(TSMODE 2\)](#), in the *Theory of Operation* section. After the scan (XYZ or XY) is engaged, the throughput of the processed sample sets is regulated by the selected batch delay timer, as long as the initial detected touch is not interrupted.

Table 21. Touch Screen Throughput and Batch Selection Bits

| BATCH DELAY SELECTION | | | DELAY TIME (ms) | THROUGHPUT FOR TSC-INITIATED OR HOST-INITIATED SCAN, XYZ OR XY (SSPS) |
|-----------------------|------|------|--------------------|---|
| BTD2 | BTD1 | BTD0 | | |
| 0 | 0 | 0 | 0 | Normal operation throughput depends on settings. |
| 0 | 0 | 1 | 1 | 1000 |
| 0 | 1 | 0 | 2 | 500 |
| 0 | 1 | 1 | 4 | 250 |
| 1 | 0 | 0 | 10 | 100 |
| 1 | 0 | 1 | 20 | 50 |
| 1 | 1 | 0 | 40 | 25 |
| 1 | 1 | 1 | 100 | 10 |

For example, if stabilization time, precharge time, and sense time are selected as 100 μ s, 84 μ s, and 96 μ s, respectively, and the batch delay time is 2ms, then the scan function enters wait mode after the first processed sample set until the 2ms of batch delay time is reached. When the scan function starts to process the second sample set (if the screen is still touched), the batch delay restarts at 2ms (in this example). This procedure remains regulated by 2ms until the pen touch is not detected or the scan function is stopped by a stop bit or any reset form.

Configuration Register 2

Configuration register 2 (CFR2) defines the preprocessor configuration.

Table 22. Configuration Register 2 (Reset Value = 0000h)

| MSB D15 | D14 | D13 | D12 | D11 | D10 | D9 | D8 | D7 | D6 | D5 | D4 | D3 | D2 | D1 | LSB D0 |
|------------|--------|-----|-----|-----|-----|-----|-----|-----|-----|--------|-----------|-----------|-----------|-------------|--------------|
| PINTS1 | PINTS0 | M1 | M0 | W1 | W0 | TZ1 | TZ0 | AZ1 | AZ0 | Resrvd | MAVE X | MAVE Y | MAVE Z | MAVE AUX | MAVE TEMP |

PINTS1 (default 0)—This bit controls the output format of the $\overline{\text{PINTDAV}}$ pin. When this bit is set to '0', the output format is shown as the AND-form of internal signals of $\overline{\text{PENIRQ}}$ and DAV). When this bit is set to '1', $\overline{\text{PINTDAV}}$ outputs $\overline{\text{PENIRQ}}$ only.

PINTS0 (default 0)—This bit selects what is output on the $\overline{\text{PINTDAV}}$ pin. If this bit set to '0', the output format of $\overline{\text{PINTDAV}}$ depends on the selection made on the PINTS1 bit. If this bit set to '1', the internal signal of DAV is output on $\overline{\text{PINTDAV}}$.

Table 23. PINTSx Selection

| PINTS1 | PINTS0 | $\overline{\text{PINTDAV}}$ PIN OUTPUT = |
|--------|--------|--|
| 0 | 0 | An AND combination of $\overline{\text{PENIRQ}}$ (active low) and DAV (active high). |
| 0 | 1 | Data available, $\overline{\text{DAV}}$ (active low). |
| 1 | 0 | An interrupt, $\overline{\text{PENIRQ}}$ (active low) generated by pen-touch. |
| 1 | 1 | Data available, $\overline{\text{DAV}}$ (active low). |

M1, M0, W1, W0 (default 0000)—Preprocessing MAV filter control. Note that when the MAV filter is processing data, the STS bit and the corresponding DAV bits in the status register indicate that the converter is busy until all conversions necessary for the preprocessing are complete. The default state for these bits is 0000, which bypasses the preprocessor. These bits are the same whether reading or writing.

TZ1 and TZ0, or AZ1 and AZ0 (default 00)—Zone detection bit definition (for TEMP or AUX measurements). TZ1 and TZ0 are for the TEMP measurement. AZ1 and AZ0 are for the AUX measurement. The action taken in zone detection is to store the processed data in the corresponding data registers and to update the corresponding DAV bits in status register. If the processed data do not meet the selected criteria, these data are ignored and the corresponding DAV bits are not updated. When zone detection is disabled, the processed data are simply stored in the corresponding data registers and the corresponding DAV bits are updated without any comparison of criteria. Note that the converted samples are always processed according to the setting of the MAVE bits for AUX/TEMP before zone detection takes effect. See [Table 30](#) for thresholds.

Table 24. Zone Detection Bit Definition

| TZ1/AZ1 | TZ0/AZ0 | FUNCTION |
|---------|---------|--|
| 0 | 0 | Zone detection is disabled. |
| 0 | 1 | When the processed data is below low threshold |
| 1 | 0 | When the processed data is between low and high thresholds |
| 1 | 1 | When the processed data is above high threshold |

MAVE (default is 00000)—MAV filter function enable bit. When the corresponding bit is set to 1, the MAV filter setup is applied to the corresponding measurement.

Converter Function Select Register

The Converter Function Select (CFN) register reflects the converter function select status.

Table 25. Converter Function Select Status Register (Reset Value = 0000h)

| MSB D15 | D14 | D13 | D12 | D11 | D10 | D9 | D8 | D7 | D6 | D5 | D4 | D3 | D2 | D1 | LSB D0 |
|------------|-------|-------|-------|-------|-------|------|------|------|------|------|------|------|------|------|-----------|
| CFN15 | CFN14 | CFN13 | CFN12 | CFN11 | CFN10 | CFN9 | CFN8 | CFN7 | CFN6 | CFN5 | CFN4 | CFN3 | CFN2 | CFN1 | CFN0 |

CFN15-CFN0—Converter function select status. These bits represent the converter function currently running, which is set in bits C3-C0 of Control Byte 1. When the CFNx bit shows '1', where x is the decimal value of converter function select bits C3-C0, it indicates that the converter function that is set in bits C3-C0 is running. For example, when CFN2 shows '1', it indicates the converter function set in bits C3-C0 ('0010') is running. The CFNx bits are reset to 0000h whenever the converter function is complete, stopped by STS bit, or reset (by the hardware reset from the **RESET** pin or the software reset from SWRST bit in Control Byte 1). However, if the TSC-initiated scan function mode is issued (by setting the PSM bit in the CFR0 register to '1'), the CFN0 or CFN1 bit will not be reset when the corresponding converter function is complete because there is no pen touch. This event allows the TSC2005 to immediately initiate the scan process (corresponding to CFN0 or CFN1 set to '1') when the next pen touch is detected.

Table 26. STATUS Register (Reset Value = 0004h)

| MSB D15 | D14 | D13 | D12 | D11 | D10 | D9 | D8 | D7 | D6 | D5 | D4 | D3 | D2 | D1 | LSB D0 |
|-----------------|-----------------|------------------|------------------|-------------------|---------------------|---------------------|----------------------|---------------|----------|----------|----------------------|----------|------|-----|-----------|
| DAV Due X | DAV Due Y | DAV Due Z1 | DAV Due Z2 | DAV Due AUX | DAV Due TEMP1 | DAV Due TEMP2 | RESRVD (read '0') | RESET Flag | X CON | Y CON | RESRVD (read '0') | Y SHR | PDST | ID1 | ID0 |

DAV Bits—Data available bits. These seven bits mirror the operation of the internal signals of DAV. When any processed data are stored in data registers, the corresponding DAV bit is set to '1'. It stays at '1' until the register(s) updated to the processed data have been read out by the host.

Table 27. DAV Function

| DAV | DESCRIPTION |
|-----|--|
| 0 | No new processed data are available. |
| 1 | Processed data are available. This bit stays at 1 until the host has read out all updated registers. |

RESET Flag—See [Table 28](#) for the interpretation of the RESET flag bits.

Table 28. RESET Flag Bits

| RESET Flag | DESCRIPTION |
|------------|---|
| 0 | Device was reset since last status poll (hardware or software reset). |
| 1 | Device has not been reset since last status poll. |

X CON—This bit is '1' if the X axis of the touch screen panel is properly connected to the X drivers. This bit is the connection test result.

Y CON—This bit is '1' if the Y axis of the touch screen panel is properly connected to the Y drivers. This bit is the connection test result.

Y SHR—This bit is '1' if there is no short-circuit tested at the Y axis of the touch screen panel. This bit is the short-circuit test result.

PDST—Power down status. This bit reflects the setting of the PND0 bit in Control Byte 0. When this bit shows '0', it indicates A/D converter bias circuitry is still powered on after each conversion and before the next sampling; otherwise, it indicates A/D converter bias circuitry is powered down after each conversion and before the next sampling. However, it is powered down between conversion sets. Because this status bit is synchronized with the internal clock, it does not reflect the setting of the PND0 bit until a pen touch is detected or a converter function is running.

ID[1:0] Device ID bits: These bits represent the version ID of TSC2005. This version defaults to '00'.

DATA REGISTERS

The data registers of the TSC2005 hold data results from conversions. All data registers default to 0000h upon device reset.

X, Y, Z1, Z2, AUX, TEMP1 and TEMP2 REGISTERS

The results of all A/D conversions are placed in the appropriate data registers, as described in [Table 10](#). The data format of the result word (R) of these registers is right-justified, as shown in [Table 29](#):

Table 29. Internal Register Format

| MSB D15 | D14 | D13 | D12 | D11 | D10 | D9 | D8 | D7 | D6 | D5 | D4 | D3 | D2 | D1 | LSB D0 |
|------------|-----|-----|-----|-----|-----|----|----|----|----|----|----|----|----|----|-----------|
| 0 | 0 | 0 | 0 | R11 | R10 | R9 | R8 | R7 | R6 | R5 | R4 | R3 | R2 | R1 | R0 |

Register Map

The TSC2005 has several 16-bit registers that allow control of the device, as well as providing a location to store results from the TSC2005 until read out by the host microprocessor. [Table 30](#) shows the memory map.

Table 30. Register Content and Reset Values⁽¹⁾

| A3-A0 (HEX) | REGISTER NAME | D15 | D14 | D13 | D12 | D11 | D10 | D9 | D8 | D7 | D6 | D5 | D4 | D3 | D2 | D1 | D0 | RESET VALUE (HEX) |
|----------------|--|-----|-----|-----|-----|-------------|-----|----|----|----|----|----|-------------|----|----|----|----|-------------------------|
| 0 | X | 0 | 0 | 0 | 0 | R11 | R10 | R9 | R8 | R7 | R6 | R5 | R4 | R3 | R2 | R1 | R0 | 0000 |
| 1 | Y | 0 | 0 | 0 | 0 | R11 | R10 | R9 | R8 | R7 | R6 | R5 | R4 | R3 | R2 | R1 | R0 | 0000 |
| 2 | Z1 | 0 | 0 | 0 | 0 | R11 | R10 | R9 | R8 | R7 | R6 | R5 | R4 | R3 | R2 | R1 | R0 | 0000 |
| 3 | Z2 | 0 | 0 | 0 | 0 | R11 | R10 | R9 | R8 | R7 | R6 | R5 | R4 | R3 | R2 | R1 | R0 | 0000 |
| 4 | AUX | 0 | 0 | 0 | 0 | R11 | R10 | R9 | R8 | R7 | R6 | R5 | R4 | R3 | R2 | R1 | R0 | 0000 |
| 5 | Temp1 | 0 | 0 | 0 | 0 | R11 | R10 | R9 | R8 | R7 | R6 | R5 | R4 | R3 | R2 | R1 | R0 | 0000 |
| 6 | Temp2 | 0 | 0 | 0 | 0 | R11 | R10 | R9 | R8 | R7 | R6 | R5 | R4 | R3 | R2 | R1 | R0 | 0000 |
| 7 | Status | S15 | S14 | S13 | S12 | S11 | S10 | S9 | 0 | S7 | S6 | S5 | Rsvd (2) | S3 | S2 | S1 | S0 | 0004 |
| 8 | AUX High | 0 | 0 | 0 | 0 | R11 | R10 | R9 | R8 | R7 | R6 | R5 | R4 | R3 | R2 | R1 | R0 | 0FFF |
| 9 | AUX Low | 0 | 0 | 0 | 0 | R11 | R10 | R9 | R8 | R7 | R6 | R5 | R4 | R3 | R2 | R1 | R0 | 0000 |
| A | Temp High | 0 | 0 | 0 | 0 | R11 | R10 | R9 | R8 | R7 | R6 | R5 | R4 | R3 | R2 | R1 | R0 | 0FFF |
| B | Temp Low | 0 | 0 | 0 | 0 | R11 | R10 | R9 | R8 | R7 | R6 | R5 | R4 | R3 | R2 | R1 | R0 | 0000 |
| C | CFR0 | R15 | R14 | R13 | R12 | R11 | R10 | R9 | R8 | R7 | R6 | R5 | R4 | R3 | R2 | R1 | R0 | 4000 |
| D | CFR1 | 0 | 0 | 0 | 0 | R11 | R10 | R9 | R8 | 0 | 0 | 0 | 0 | 0 | R2 | R1 | R0 | 0000 |
| E | CFR2 | R15 | R14 | R13 | R12 | R11 | R10 | R9 | R8 | R7 | R6 | 0 | R4 | R3 | R2 | R1 | R0 | 0000 |
| F | Converter Function Select Status | R15 | R14 | R13 | R12 | Rsvd (2) | R10 | R9 | R8 | R7 | R6 | R5 | R4 | R3 | R2 | R1 | R0 | 0000 |

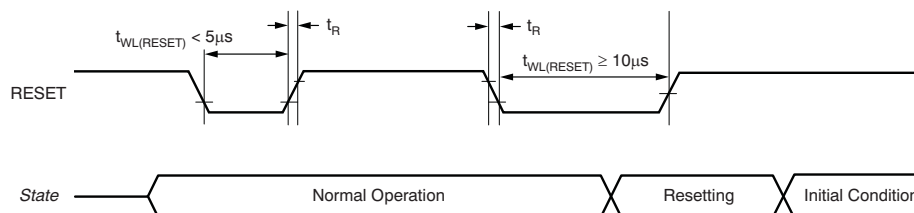
(1) For all combination bits, the pattern marked as reserved must not be used. The default pattern is read back after reset.

(2) This bit is reserved.

REGISTER RESET

There are three way to reset the TSC2005. First, at power-on, a power good signal will generate a prolonged reset pulse internally to all registers.

Second, an external pin, $\overline{\text{RESET}}$, is available to perform a system reset or allow other peripherals (such as a display) to reset the device if the pulse meets the timing requirement (at least $10\mu\text{s}$ wide). Any $\overline{\text{RESET}}$ pulse less than $5\mu\text{s}$ is rejected. To accommodate the timing drift between devices because of process variation, a $\overline{\text{RESET}}$ pulse width between $5\mu\text{s}$ to $10\mu\text{s}$ falls into the gray area that will not be recognized and the result is undetermined; this situation should be avoided. Refer to [Figure 31](#) for details. A good reset pulse must be low for at least $10\mu\text{s}$. There is an internal spike filter to reject spikes up to 20ns wide.



NOTE: See [Timing Requirements](#) for more information.

Figure 31. External Reset Timing

Finally, a software reset can be activated by writing a '1' to CB1.1 (bit 1 of control byte 1). It should be noted this reset is not self-cleared, so the user must write a '0' to remove the software reset.

A reset clears all registers and loads default values. A power-on reset and external (hardware) reset take precedence over a software reset. If a software reset is not cleared by the user, it will be cleared by either a power-on reset or an external (hardware) reset.

THEORY OF OPERATION

TOUCH SCREEN MEASUREMENTS

As noted previously in the discussion of the A/D converter, several operating modes can be used that allow great flexibility for the host processor. This section examines these different modes.

Conversion Controlled by TSC2005 Initiated by TSC2005 (TSMODE 1)

In TSMODE 1, before a pen touch can be detected, the TSC2005 must be programmed with PSM = 1 and one of two scan modes:

1. X-Y-Z Scan (converter function select bits C[3:0] = Control Byte 1 D[6:3] = 0000); or
2. X-Y Scan (converter function select bits C[3:0] = Control Byte 1 D[6:3] = 0001).

See [Table 7](#) for more information on the converter function select bits.

When the touch panel is touched, and the internal pen-touch signal to activates, the $\overline{\text{PINTDAV}}$ output is lowered if it is programmed as $\overline{\text{PENIRQ}}$. The TSC2005 then executes the preprogrammed scan function without a host intervention.

At the same time, the TSC2005 starts up its internal clock. It then turns on the Y-drivers, and after a programmed panel voltage stabilization time, powers up the A/D converter and converts the Y coordinate. If preprocessing is selected, several conversions may take place. When data preprocessing is complete, the Y coordinate result is stored in a temporary register.

If the screen is still touched at this time, the X-drivers are enabled, and the process repeats, but measures the X coordinate instead, and stores the result in a temporary register.

If only X and Y coordinates are to be measured, then the conversion process is complete. A set of X and Y coordinates are stored in the X and Y registers. [Figure 32](#) shows a flowchart for this process. The time it takes to go through this process depends upon the selected resolution, internal conversion clock rate, panel voltage stabilization time, precharge and sense times, and whether preprocessing is selected. The time needed to get a complete X and Y coordinate (sample set) reading can be calculated by:

$$t_{\text{COORDINATE}} = \frac{\text{OH}_1}{f_{\text{OSC}}} + 2 \cdot \left(t_{\text{PVS}} + t_{\text{PRE}} + t_{\text{SNS}} + \frac{\text{OH}_{\text{DLY1}}}{f_{\text{OSC}}} \right) + 2 \cdot \left(N \cdot \left((B + 2) \cdot \frac{f_{\text{OSC}}}{f_{\text{ADC}}} + \text{OH}_{\text{CONV}} \right) \cdot \left(\frac{1}{f_{\text{OSC}}} \right) + \left(\frac{L_{\text{PPRO}}}{f_{\text{OSC}}} \right) \right) \quad (5)$$

Where:

$t_{\text{COORDINATE}}$ = time to complete X/Y coordinate reading.

t_{PVS} = panel voltage stabilization time, as given in [Table 16](#).

t_{PRE} = precharge time, as given in [Table 17](#).

t_{SNS} = sense time, as given in [Table 18](#).

N = number of measurements for MAV filter input, as given in [Table 3](#) as N.

(For no MAV: M1-0[1:0] = '00', W1-0[1:0] = '00', N = 1.)

B = number of bits of resolution.

f_{OSC} = TSC onboard OSC clock frequency. See [Electrical Characteristics](#) for supply frequency (SNSVDD).

f_{ADC} = A/D converter clock frequency, as given in [Table 15](#).

OH_1 = overhead time #1 = 2.5 internal clock cycles.

OH_{DLY1} = total overhead time for t_{PVS} , t_{PRE} , and t_{SNS} = 10 internal clock cycles.

OH_{CONV} = total overhead time for A/D conversion = 3 internal clock cycles.

L_{PPRO} = pre-processor preprocessing time as given in [Table 31](#).

Table 31. Preprocessing Delay

| M = | W = | L _{PRO} = | |
|------|-------------|--------------------|----------------|
| | | FOR B = 12 BIT | FOR B = 10 BIT |
| 1 | 1, 4, 8, 16 | 2 | 2 |
| 3, 7 | 1 | 28 | 24 |
| 7 | 3 | 31 | 27 |
| 15 | 1 | 31 | 29 |
| 15 | 3 | 34 | 32 |
| 15 | 7 | 38 | 36 |

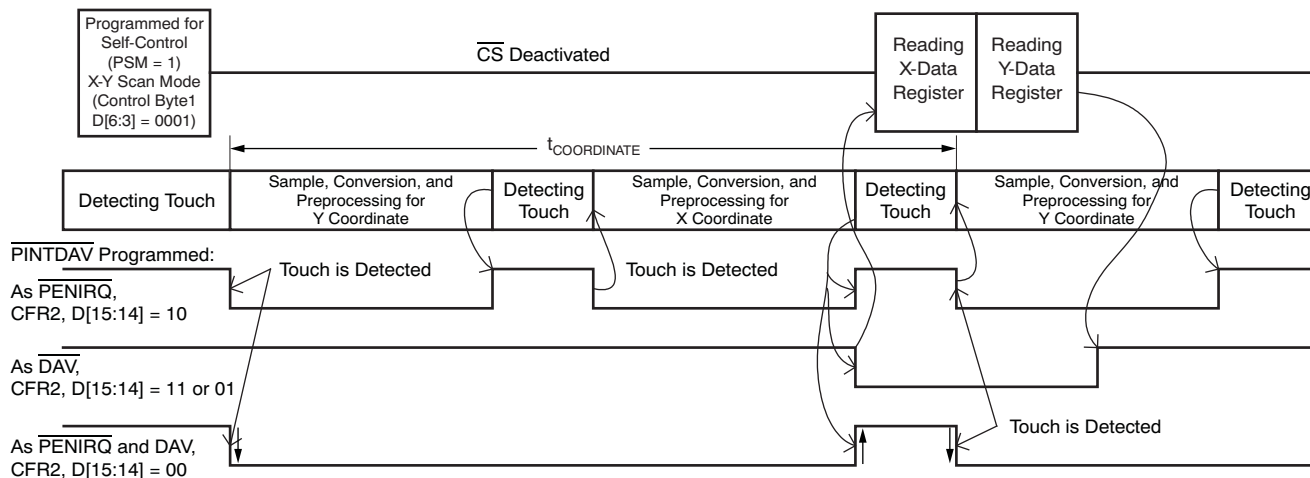


Figure 32. Example of X and Y Coordinate Touch Screen Scan using TSMODE 1

If the pressure of the touch is also to be measured, the process continues in the same way, but measuring the Z_1 and Z_2 values instead, and storing the results in temporary registers. Once the complete sample set of data (X , Y , Z_1 , and Z_2) are available, they are loaded in the X , Y , Z_1 , and Z_2 registers. This process is illustrated in Figure 33. As before, this process time depends upon the settings previously described. The time for a complete X , Y , Z_1 , and Z_2 coordinate reading is given by:

$$t_{\text{COORDINATE}} = \frac{\text{OH2}}{f_{\text{OSC}}} + 3 \cdot \left(t_{\text{PVS}} + t_{\text{PRE}} + t_{\text{SNS}} + \frac{\text{OH}_{\text{DLY1}}}{f_{\text{OSC}}} \right) + 4 \cdot \left(N \cdot \left((B + 2) \cdot \frac{f_{\text{OSC}}}{f_{\text{ADC}}} + \text{OH}_{\text{CONV}} \right) \cdot \left(\frac{1}{f_{\text{OSC}}} \right) + \left(\frac{L_{\text{PPRO}}}{f_{\text{OSC}}} \right) \right) \quad (6)$$

Where:

OH2 = overhead time #2 = 3.5 internal clock cycles.

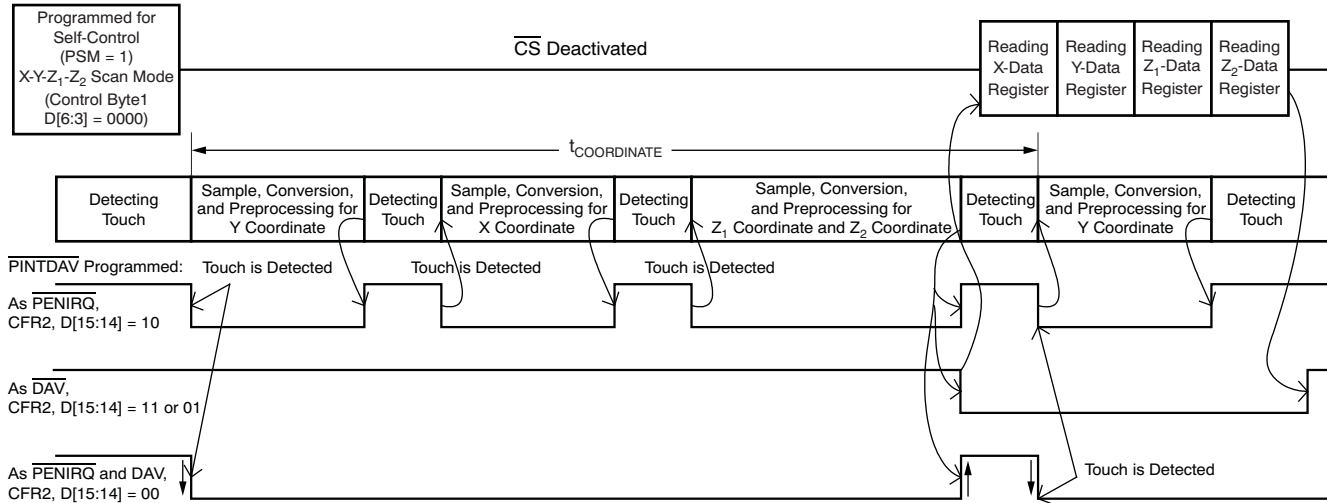


Figure 33. Example of X, Y, and Z Coordinate Touch Screen Scan using TSMODE 1

Conversion Controlled by TSC2005 Initiated by Host (TSMODE 2)

In TSMODE 2, the TSC2005 detects when the touch panel is touched and causes the internal Pen-Touch signal to activate, which lowers the $\overline{\text{PINTDAV}}$ output if it is programmed as $\overline{\text{PENIRQ}}$. The host recognizes the interrupt request, and then writes to the A/D Converter Control register to select one of the two touch screen scan functions:

1. X-Y-Z Scan (converter function select bits C[3:0] = Control Byte 1 D[6:3] = 0000); or
2. X-Y Scan (converter function select bits C[3:0] = Control Byte 1 D[6:3] = 0001).

See [Table 7](#) for more information on the converter function select bits.

The conversion process then as shown in [Figure 34](#); see previous sections for more details.

The main difference between this mode and the previous mode is that the host, not the TSC2005, decides when the touch screen scan begins.

The time needed to convert both X and Y coordinates under host control (not including the time needed to send the command over the SPI bus) is given by:

$$t_{\text{COORDINATE}} = \frac{\text{OH}_1}{f_{\text{OSC}}} + 2 \cdot \left(t_{\text{PVS}} + t_{\text{PRE}} + t_{\text{SNS}} + \frac{\text{OH}_{\text{DLY1}}}{f_{\text{OSC}}} \right) + 2 \cdot \left(N \cdot \left((B+2) \cdot \frac{f_{\text{OSC}}}{f_{\text{ADC}}} + \text{OH}_{\text{CONV}} \right) \cdot \left(\frac{1}{f_{\text{OSC}}} \right) + \left(\frac{L_{\text{PPRO}}}{f_{\text{OSC}}} \right) \right) \quad (7)$$

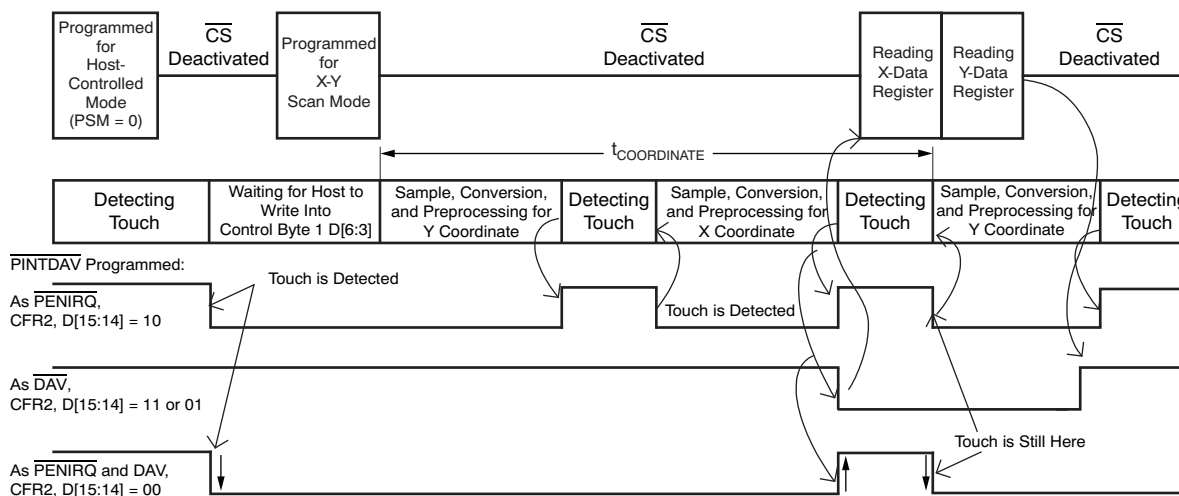


Figure 34. Example of an X and Y Coordinate Touch Screen Scan using TSMODE 2

Conversion Controlled by Host (TSMODE 3)

In TSMODE 3, the TSC2005 detects when the touch panel is touched and causes the internal Pen-Touch signal to be active, which lowers the $\overline{\text{PINTDAV}}$ output if it is programmed as $\overline{\text{PENIRQ}}$. The host recognizes the interrupt request. Instead of starting a sequence in the TSC2005, which then reads each coordinate in turn, the host must now control all aspects of the conversion. Generally, upon receiving the interrupt request, the host turns on the X drivers. (**NOTE:** If drivers are not turned on, the device detects this condition and turns them on before the scan starts. This situation is why the event of *turn on drivers* is shown as optional in Figure 35 and Figure 36.) After waiting for the settling time, the host then addresses the TSC2005 again, this time requesting an X coordinate conversion.

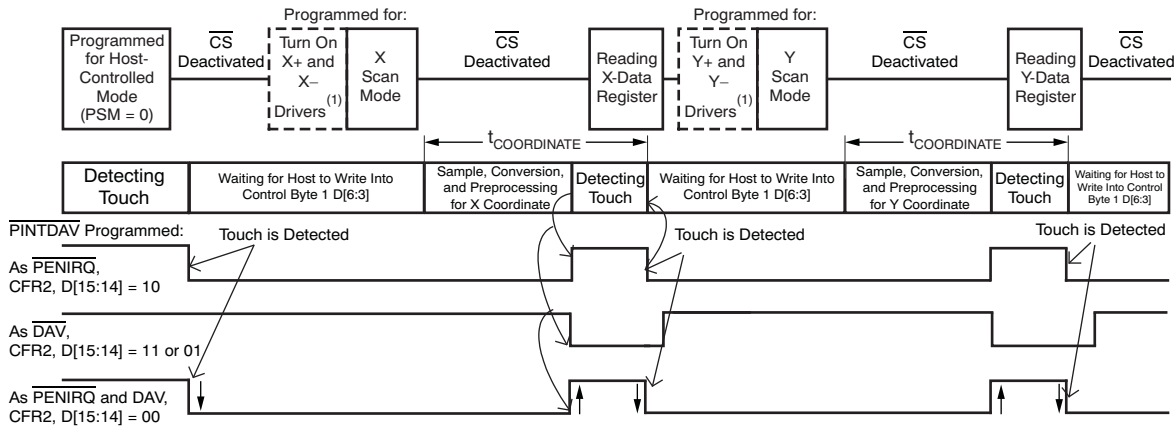
The process is then repeated for the Y and Z coordinates. The processes are outlined in Figure 35 and Figure 36. Figure 35 shows two consecutive scans on X and Y. Figure 36 shows a single Z scan.

The time needed to convert any single coordinate X or Y under host control (not including the time needed to send the command over the SPI bus) is given by:

$$t_{\text{COORDINATE}} = \frac{\text{OH}_1}{f_{\text{OSC}}} + \left(t_{\text{PRE}} + t_{\text{SNS}} + \frac{\text{OH}_{\text{DLY2}}}{f_{\text{OSC}}} \right) + N \cdot \left((B + 2) \cdot \frac{f_{\text{OSC}}}{f_{\text{ADC}}} + \text{OH}_{\text{CONV}} \right) \cdot \left(\frac{1}{f_{\text{OSC}}} \right) + \left(\frac{L_{\text{PPRO}}}{f_{\text{OSC}}} \right) \tag{8}$$

Where:

OH_{DLY2} = total overhead time for t_{PRE} and $t_{\text{SNS}} = 6$ internal clock cycles.

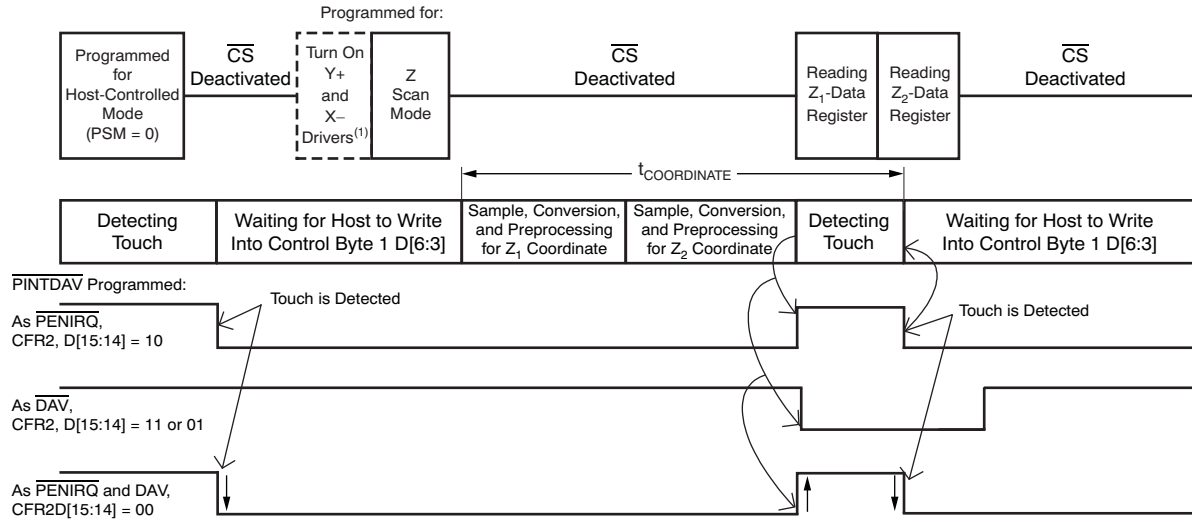


NOTE: (1) Optional. If not turned on, it will be turned on by the Scan mode, once detected.

Figure 35. Example of X and Y Coordinate Touch Screen Scan using TSMODE 3

The time needed to convert any Z₁ and Z₂ coordinate under host control (not including the time needed to send the command over the SPI bus) is given by:

$$t_{\text{COORDINATE}} = \frac{OH_2}{f_{\text{OSC}}} + \left(t_{\text{PRE}} + t_{\text{SNS}} + \frac{OH_{\text{DLY2}}}{f_{\text{OSC}}} \right) + N \cdot \left((B + 2) \cdot \frac{f_{\text{OSC}}}{f_{\text{ADC}}} + OH_{\text{CONV}} \right) \cdot \left(\frac{1}{f_{\text{OSC}}} \right) + \left(\frac{L_{\text{PPRO}}}{f_{\text{OSC}}} \right) \quad (9)$$



NOTE: (1) Optional. If not turned on, it will be turned on by the Scan mode, once detected.

Figure 36. Example of Z₁ and Z₂ Coordinate Touch Screen Scan (without Panel Stabilization Time) using TSMODE 3

If the drivers are not turned on before the touch screen mode is programmed, the panel stabilization time should be included. In this case, the time needed to convert an single X or Y under host control (not including the time needed to send the command over the SPI bus) is given by:

$$t_{\text{COORDINATE}} = \frac{OH_2}{f_{\text{OSC}}} + \left(t_{\text{PVS}} + t_{\text{PRE}} + t_{\text{SNS}} + \frac{OH_{\text{DLY1}}}{f_{\text{OSC}}} \right) + N \cdot \left((B + 2) \cdot \frac{f_{\text{OSC}}}{f_{\text{ADC}}} + OH_{\text{CONV}} \right) \cdot \left(\frac{1}{f_{\text{OSC}}} \right) + \left(\frac{L_{\text{PPRO}}}{f_{\text{OSC}}} \right) \quad (10)$$

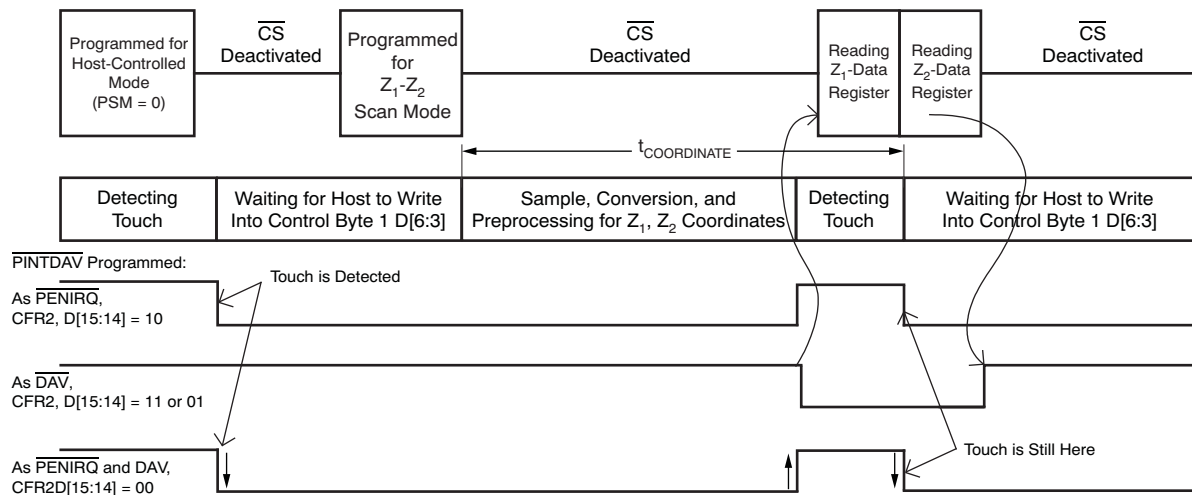


Figure 37. Example of a Z₁ and Z₂ Coordinate Touch Screen Scan (with Panel Stabilization Time) using TSMODE 3

The time needed to convert any single coordinate (either X or Y) under host control (not including the time needed to send the command over the SPI bus) is given by:

$$t_{\text{COORDINATE}} = \frac{OH_1}{f_{\text{OSC}}} + \left(t_{\text{PVS}} + t_{\text{PRE}} + t_{\text{SNS}} + \frac{OH_{\text{DLY1}}}{f_{\text{OSC}}} \right) + N \cdot \left((B + 2) \cdot \frac{f_{\text{OSC}}}{f_{\text{ADC}}} + OH_{\text{CONV}} \right) \cdot \left(\frac{1}{f_{\text{OSC}}} \right) + \left(\frac{L_{\text{PPRO}}}{f_{\text{OSC}}} \right) \tag{11}$$

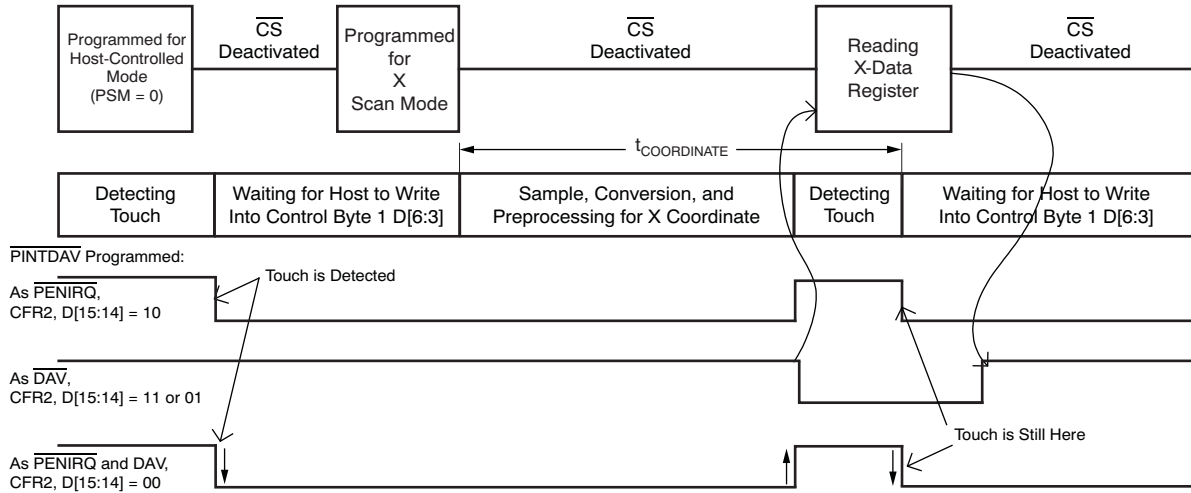


Figure 38. Example of a Single X Coordinate Touch Screen Scan (with Panel Stabilization Time) using TSMODE 3

AUXILIARY AND TEMPERATURE MEASUREMENT

The TSC2005 can measure the voltage from the auxiliary input (AUX) and from the internal temperature sensor. Applications for the AUX can include external temperature sensing, ambient light monitoring for controlling backlighting, or sensing the current drawn from batteries. There are two converter functions that can be used for the measurement of the AUX:

1. Non-continuous AUX measurement shown in [Figure 39](#) (converter function select bits C[3:0] = Control Byte 1 D[6:3] = 0101); or
2. Continuous AUX Measurement shown in [Figure 40](#) (converter function select bits C[3:0] = Control Byte 1 D[6:3] = 1000).

See [Table 7](#) for more information on the converter function select bits.

There are also two converter functions for the measurement of the internal temperature sensor:

1. TEMP1 measurement (converter function select bits C[3:0] = Control Byte 1 D[6:3] = 0110); or
2. TEMP2 measurement (converter function select bits C[3:0] = Control Byte 1 D[6:3] = 0111).

See [Table 7](#) for more information on the converter function select bits.

For the detailed calculation of the internal temperature sensor, please see the [SubSec1 9.3](#) section. These two converter functions have the same timing as the non-continuous AUX measurement operation as shown in [Figure 39](#); therefore, [Equation 12](#) can also be used for internal temperature sensor measurement. The time needed to make a non-continuous auxiliary measurement or an internal temperature sensor measurement is given by:

$$t_{\text{COORDINATE}} = \frac{\text{OH3}}{f_{\text{OSC}}} + N \cdot \left((B + 2) \cdot \frac{f_{\text{OSC}}}{f_{\text{ADC}}} + \text{OH}_{\text{CONV}} \right) \cdot \left(\frac{1}{f_{\text{OSC}}} \right) + \left(\frac{L_{\text{PPRO}}}{f_{\text{OSC}}} \right) \quad (12)$$

Where:

OH3 = overhead time #3 = 3.5 internal clock cycles.

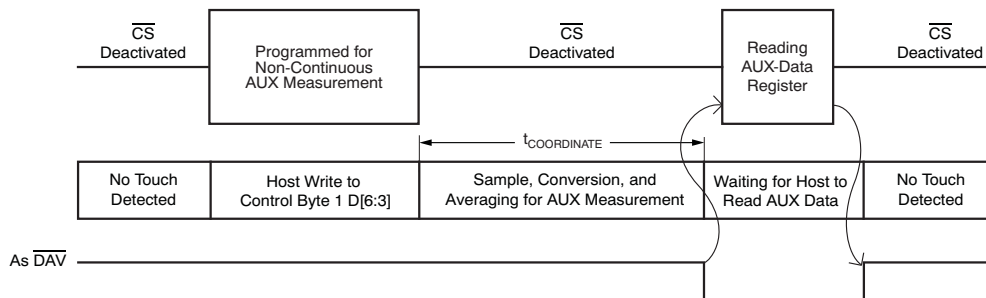


Figure 39. Non-Touch Screen, Non-Continuous AUX Measurement

The time needed to make continuous auxiliary measurement is given by:

$$t_{\text{COORDINATE}} = \frac{\text{OH3}}{f_{\text{OSC}}} + N \cdot \left((B + 2) \cdot \frac{f_{\text{OSC}}}{f_{\text{ADC}}} + \text{OH}_{\text{CONV}} \right) \cdot \left(\frac{1}{f_{\text{OSC}}} \right) + \left(\frac{L_{\text{PPRO}}}{f_{\text{OSC}}} \right) \quad (13)$$

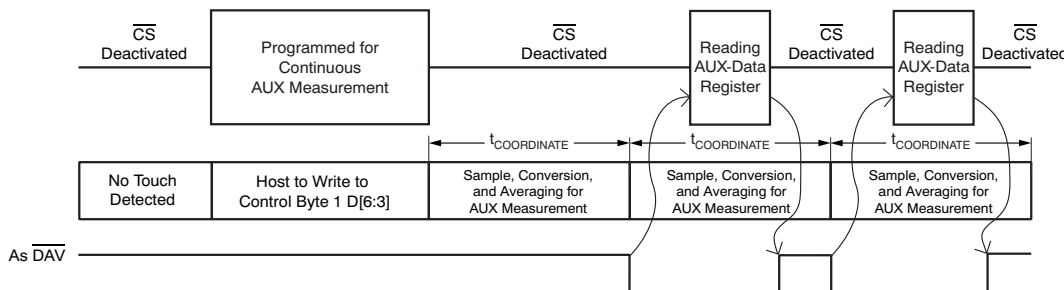


Figure 40. Non-Touch Screen, Continuous AUX Measurement

LAYOUT

The following layout suggestions should obtain optimum performance from the TSC2005. However, many portable applications have conflicting requirements for power, cost, size, and weight. In general, most portable devices have fairly clean power and grounds because most of the internal components are very low power. This situation would mean less bypassing for the converter power and less concern regarding grounding. Still, each application is unique and the following suggestions should be reviewed carefully.

For optimum performance, care should be taken with the physical layout of the TSC2005 circuitry. The basic SAR architecture is sensitive to glitches or sudden changes on the power supply, reference, ground connections, and digital inputs that occur just prior to latching the output of the analog comparator. Therefore, during any single conversion for an n -bit SAR converter, there are n windows in which large external transient voltages can easily affect the conversion result. Such glitches might originate from switching power supplies, nearby digital logic, and high power devices. The degree of error in the digital output depends on the reference voltage, layout, and the exact timing of the external event. The error can change if the external event changes in time with respect to the SCLK input.

With this in mind, power to the TSC2005 should be clean and well-bypassed. A 0.1 μ F ceramic bypass capacitor should be added between (SNSVDD to AGND and SNSGND) or (I/OVDD to DGND). A 0.1 μ F decoupling capacitor between VREF to AGND is also needed unless the SNSVDD is used as a reference input and is connected to VREF. These capacitors must be placed as close to the device as possible. A 1 μ F to 10 μ F capacitor may also be needed if the impedance of the connection between SNSVDD and the power supply is high. The I/OVDD must be shorted to the same supply plane as the SNSVDD. Short both SNSVDD and I/OVDD to the analog VDD plane.

The A/D converter architecture offers no inherent rejection of noise or voltage variation in regards to using an external reference input, which is of particular concern when the reference input is tied to the power supply for auxiliary input and temperature measurements. Any noise and ripple from the supply appears directly in the digital results. While high-frequency noise can be filtered out by the built-in MAV filter, voltage variation due to line frequency (50Hz or 60Hz) can be difficult to remove. Some package options have pins labeled as *NC* (no connection). It is recommended that these *NC* pins be connected to the ground plane. Avoid any active trace going under the analog pins listed in the [Pin Assignments](#) table, unless they are shielded by a ground or power plane.

All GND (AGND, DGND, SUBGND and SNSGND) pins should be connected to a clean ground point. In many cases, this point is the analog ground. Avoid connections that are too near the grounding point of a microcontroller or digital signal processor. If needed, run a ground trace directly from the converter to the power-supply entry or battery connection point. The ideal layout includes an analog ground plane dedicated to the converter and associated analog circuitry.

In the specific case of use with a resistive touch screen, care should be taken with the connection between the converter and the touch screen. Since resistive touch screens have fairly low resistance, the interconnection should be as short and robust as possible. Loose connections can be a source of error when the contact resistance changes with flexing or vibrations.

As indicated previously, noise can be a major source of error in touch-screen applications (for example, applications that require a back-lit LCD panel). This electromagnetic interference (EMI) noise can be coupled through the LCD panel to the touch screen and cause flickering of the converted A/D converter data. Several things can be done to reduce this error; for example, use a touch screen with a bottom-side metal layer connected to ground to couple the majority of noise to ground. Another way to filter out this type of noise is by using the TSC2005 built-in MAV filter (see the [Preprocessing](#) section). Filtering capacitors, from Y+, Y–, X+, and X– to ground, can also help. Note, however, that the use of these capacitors increases screen settling time and requires longer panel voltage stabilization times, and also increases precharge and sense times for the PINTADV circuitry of the TSC2005. The resistor value varies, depending on the touch screen sensor used. The internal 50k Ω pull-up resistor (R_{IRQ}) may be adequate for most of sensors.

REVISION HISTORY

NOTE: Page numbers for previous revisions may differ from page numbers in the current version.

| Changes from Revision B (December 2007) to Revision C | Page |
|---|------|
| • Changed resistance ratio from 80 to 91 | 13 |
| • Changed resistance ratio from 80 to 91 | 13 |
| • Changed T factor from 2.648 to 2.573 | 13 |
| • Swapped function text of 1011 with 1100 in Table 7 | 20 |
| • Changed "Y-axis" to "X-axis" in 1011 function text in Table 7 | 20 |
| • Swapped text from C3-C0 = 1011 with text from 1011..... | 21 |
| • Changed "Y-axis" to "X-axis" in C3-C0 = 1011 text..... | 21 |

| Changes from Revision A (May, 2007) to Revision B | Page |
|---|------|
| • Changed <i>ADC</i> to <i>A/D converter</i> throughout document | 1 |
| • Changed <i>51kΩ</i> to <i>50kΩ</i> throughout document except in the Electrical Characteristic table..... | 1 |
| • Changed <i>Power-Supply Requirements</i> section of Electrical Characteristic table | 3 |
| • Changed Power-down supply current condition, and typical value from 0 to 0.023 | 3 |
| • Changed <i>Pin Assignments</i> table..... | 5 |
| • Changed first five rows of Timing Requirements table | 6 |
| • Changed Figure 4 | 7 |
| • Added Figure 5 | 7 |
| • Changed <i>LSM</i> paragraph..... | 26 |
| • Changed <i>CFN15-CFN0</i> paragraph..... | 29 |
| • Added note to Figure 31 | 31 |
| • Changed Equation 8 ; moved paren. | 36 |
| • Changed Equation 9 ; moved paren. | 37 |
| • Changed Equation 10 ; moved paren. | 37 |
| • Changed Equation 11 ; moved paren. | 38 |
| • Changed Equation 12 ; moved paren. | 39 |
| • Changed Equation 13 ; moved paren. | 39 |
| • Changed <i>Layout</i> section | 40 |

PACKAGING INFORMATION

| Orderable Device | Status (1) | Package Type | Package Drawing | Pins | Package Qty | Eco Plan (2) | Lead/Ball Finish | MSL Peak Temp (3) | Op Temp (°C) | Top-Side Markings (4) | Samples |
|------------------|---------------|--------------|-----------------|------|-------------|-------------------------|------------------|----------------------|--------------|--------------------------|-------------------------|
| TSC2005IYZLR | ACTIVE | DSBGA | YZL | 28 | 3000 | Green (RoHS & no Sb/Br) | SNAGCU | Level-1-260C-UNLIM | -40 to 85 | TSC2005I | Samples |
| TSC2005IYZLT | ACTIVE | DSBGA | YZL | 28 | 250 | Green (RoHS & no Sb/Br) | SNAGCU | Level-1-260C-UNLIM | -40 to 85 | TSC2005I | Samples |

(1) The marketing status values are defined as follows:

ACTIVE: Product device recommended for new designs.

LIFEBUY: TI has announced that the device will be discontinued, and a lifetime-buy period is in effect.

NRND: Not recommended for new designs. Device is in production to support existing customers, but TI does not recommend using this part in a new design.

PREVIEW: Device has been announced but is not in production. Samples may or may not be available.

OBSOLETE: TI has discontinued the production of the device.

(2) Eco Plan - The planned eco-friendly classification: Pb-Free (RoHS), Pb-Free (RoHS Exempt), or Green (RoHS & no Sb/Br) - please check <http://www.ti.com/productcontent> for the latest availability information and additional product content details.

TBD: The Pb-Free/Green conversion plan has not been defined.

Pb-Free (RoHS): TI's terms "Lead-Free" or "Pb-Free" mean semiconductor products that are compatible with the current RoHS requirements for all 6 substances, including the requirement that lead not exceed 0.1% by weight in homogeneous materials. Where designed to be soldered at high temperatures, TI Pb-Free products are suitable for use in specified lead-free processes.

Pb-Free (RoHS Exempt): This component has a RoHS exemption for either 1) lead-based flip-chip solder bumps used between the die and package, or 2) lead-based die adhesive used between the die and leadframe. The component is otherwise considered Pb-Free (RoHS compatible) as defined above.

Green (RoHS & no Sb/Br): TI defines "Green" to mean Pb-Free (RoHS compatible), and free of Bromine (Br) and Antimony (Sb) based flame retardants (Br or Sb do not exceed 0.1% by weight in homogeneous material)

(3) MSL, Peak Temp. -- The Moisture Sensitivity Level rating according to the JEDEC industry standard classifications, and peak solder temperature.

(4) Multiple Top-Side Markings will be inside parentheses. Only one Top-Side Marking contained in parentheses and separated by a "~" will appear on a device. If a line is indented then it is a continuation of the previous line and the two combined represent the entire Top-Side Marking for that device.

Important Information and Disclaimer: The information provided on this page represents TI's knowledge and belief as of the date that it is provided. TI bases its knowledge and belief on information provided by third parties, and makes no representation or warranty as to the accuracy of such information. Efforts are underway to better integrate information from third parties. TI has taken and continues to take reasonable steps to provide representative and accurate information but may not have conducted destructive testing or chemical analysis on incoming materials and chemicals. TI and TI suppliers consider certain information to be proprietary, and thus CAS numbers and other limited information may not be available for release.

In no event shall TI's liability arising out of such information exceed the total purchase price of the TI part(s) at issue in this document sold by TI to Customer on an annual basis.

TAPE AND REEL INFORMATION



QUADRANT ASSIGNMENTS FOR PIN 1 ORIENTATION IN TAPE



*All dimensions are nominal

| Device | Package Type | Package Drawing | Pins | SPQ | Reel Diameter (mm) | Reel Width W1 (mm) | A0 (mm) | B0 (mm) | K0 (mm) | P1 (mm) | W (mm) | Pin1 Quadrant |
|--------------|--------------|-----------------|------|------|--------------------|--------------------|---------|---------|---------|---------|--------|---------------|
| TSC2005IYZLR | DSBGA | YZL | 28 | 3000 | 180.0 | 8.4 | 2.75 | 3.25 | 0.81 | 4.0 | 8.0 | Q1 |
| TSC2005IYZLT | DSBGA | YZL | 28 | 250 | 180.0 | 8.4 | 2.75 | 3.25 | 0.81 | 4.0 | 8.0 | Q1 |

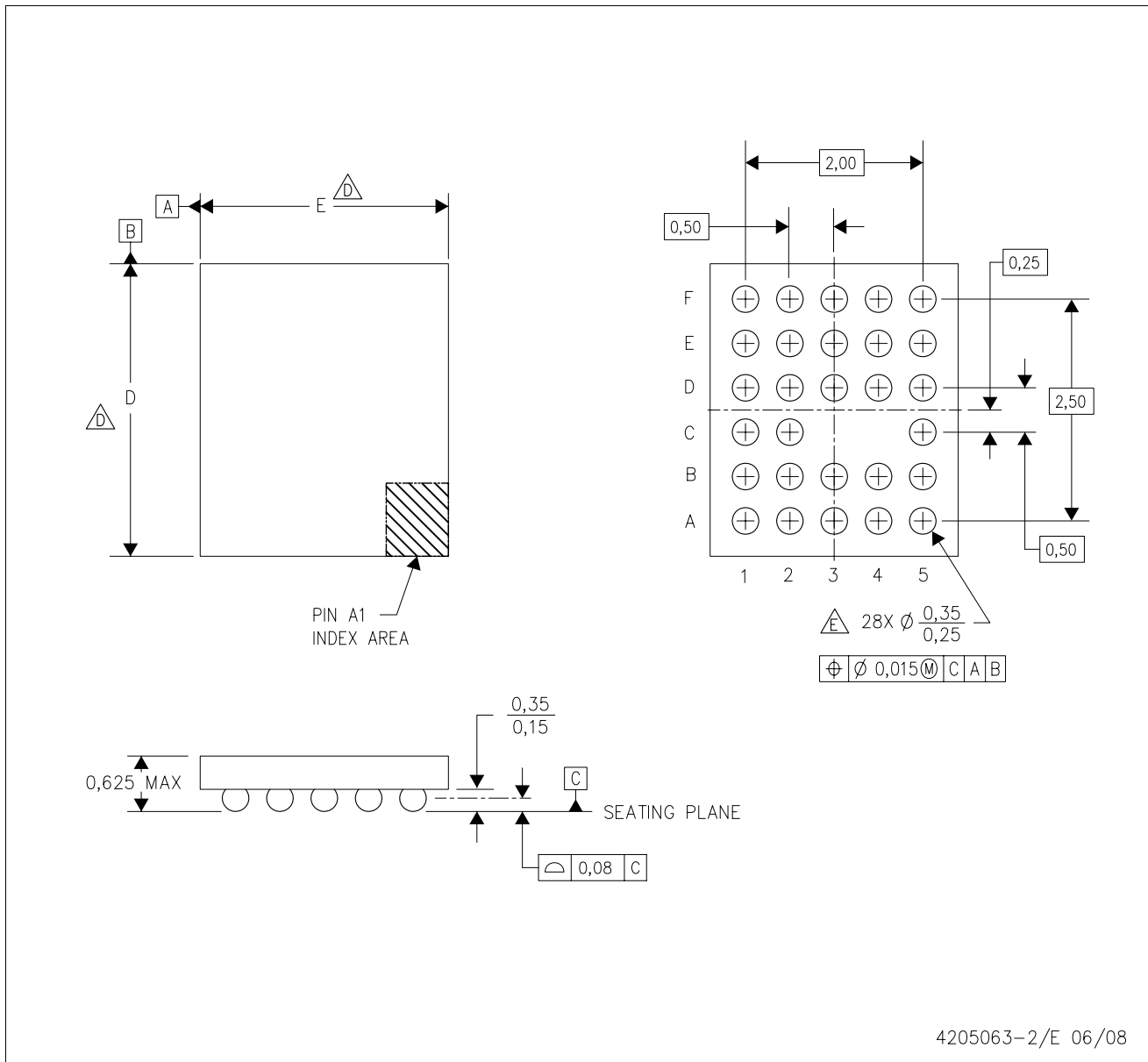
TAPE AND REEL BOX DIMENSIONS


*All dimensions are nominal

| Device | Package Type | Package Drawing | Pins | SPQ | Length (mm) | Width (mm) | Height (mm) |
|--------------|--------------|-----------------|------|------|-------------|------------|-------------|
| TSC2005IYZLR | DSBGA | YZL | 28 | 3000 | 182.0 | 182.0 | 20.0 |
| TSC2005IYZLT | DSBGA | YZL | 28 | 250 | 182.0 | 182.0 | 20.0 |

YZL (R-XBGA-N28)

DIE-SIZE BALL GRID ARRAY



- NOTES:
- A. All linear dimensions are in millimeters.
 - B. This drawing is subject to change without notice.
 - C. NanoFree™ package configuration.
 - $\triangle D$ Devices in YZL package can have dimension D ranging from 2.94 to 3.65 mm and dimension E ranging from 2.44 to 3.15 mm. To determine the exact package size of a particular device, refer to the device datasheet or contact a local TI representative.
 - E. Reference Product Data Sheet for array population.
6 x 5 matrix pattern is shown for illustration only.
 - F. This package contains lead-free balls.
Refer to YEL (Drawing #4204186) for tin-lead (SnPb) balls.

NanoFree is a trademark of Texas Instruments.

IMPORTANT NOTICE

Texas Instruments Incorporated and its subsidiaries (TI) reserve the right to make corrections, enhancements, improvements and other changes to its semiconductor products and services per JESD46, latest issue, and to discontinue any product or service per JESD48, latest issue. Buyers should obtain the latest relevant information before placing orders and should verify that such information is current and complete. All semiconductor products (also referred to herein as "components") are sold subject to TI's terms and conditions of sale supplied at the time of order acknowledgment.

TI warrants performance of its components to the specifications applicable at the time of sale, in accordance with the warranty in TI's terms and conditions of sale of semiconductor products. Testing and other quality control techniques are used to the extent TI deems necessary to support this warranty. Except where mandated by applicable law, testing of all parameters of each component is not necessarily performed.

TI assumes no liability for applications assistance or the design of Buyers' products. Buyers are responsible for their products and applications using TI components. To minimize the risks associated with Buyers' products and applications, Buyers should provide adequate design and operating safeguards.

TI does not warrant or represent that any license, either express or implied, is granted under any patent right, copyright, mask work right, or other intellectual property right relating to any combination, machine, or process in which TI components or services are used. Information published by TI regarding third-party products or services does not constitute a license to use such products or services or a warranty or endorsement thereof. Use of such information may require a license from a third party under the patents or other intellectual property of the third party, or a license from TI under the patents or other intellectual property of TI.

Reproduction of significant portions of TI information in TI data books or data sheets is permissible only if reproduction is without alteration and is accompanied by all associated warranties, conditions, limitations, and notices. TI is not responsible or liable for such altered documentation. Information of third parties may be subject to additional restrictions.

Resale of TI components or services with statements different from or beyond the parameters stated by TI for that component or service voids all express and any implied warranties for the associated TI component or service and is an unfair and deceptive business practice. TI is not responsible or liable for any such statements.

Buyer acknowledges and agrees that it is solely responsible for compliance with all legal, regulatory and safety-related requirements concerning its products, and any use of TI components in its applications, notwithstanding any applications-related information or support that may be provided by TI. Buyer represents and agrees that it has all the necessary expertise to create and implement safeguards which anticipate dangerous consequences of failures, monitor failures and their consequences, lessen the likelihood of failures that might cause harm and take appropriate remedial actions. Buyer will fully indemnify TI and its representatives against any damages arising out of the use of any TI components in safety-critical applications.

In some cases, TI components may be promoted specifically to facilitate safety-related applications. With such components, TI's goal is to help enable customers to design and create their own end-product solutions that meet applicable functional safety standards and requirements. Nonetheless, such components are subject to these terms.

No TI components are authorized for use in FDA Class III (or similar life-critical medical equipment) unless authorized officers of the parties have executed a special agreement specifically governing such use.

Only those TI components which TI has specifically designated as military grade or "enhanced plastic" are designed and intended for use in military/aerospace applications or environments. Buyer acknowledges and agrees that any military or aerospace use of TI components which have **not** been so designated is solely at the Buyer's risk, and that Buyer is solely responsible for compliance with all legal and regulatory requirements in connection with such use.

TI has specifically designated certain components as meeting ISO/TS16949 requirements, mainly for automotive use. In any case of use of non-designated products, TI will not be responsible for any failure to meet ISO/TS16949.

Products

| | |
|------------------------------|--|
| Audio | www.ti.com/audio |
| Amplifiers | amplifier.ti.com |
| Data Converters | dataconverter.ti.com |
| DLP® Products | www.dlp.com |
| DSP | dsp.ti.com |
| Clocks and Timers | www.ti.com/clocks |
| Interface | interface.ti.com |
| Logic | logic.ti.com |
| Power Mgmt | power.ti.com |
| Microcontrollers | microcontroller.ti.com |
| RFID | www.ti-rfid.com |
| OMAP Applications Processors | www.ti.com/omap |
| Wireless Connectivity | www.ti.com/wirelessconnectivity |

Applications

| | |
|-------------------------------|--|
| Automotive and Transportation | www.ti.com/automotive |
| Communications and Telecom | www.ti.com/communications |
| Computers and Peripherals | www.ti.com/computers |
| Consumer Electronics | www.ti.com/consumer-apps |
| Energy and Lighting | www.ti.com/energy |
| Industrial | www.ti.com/industrial |
| Medical | www.ti.com/medical |
| Security | www.ti.com/security |
| Space, Avionics and Defense | www.ti.com/space-avionics-defense |
| Video and Imaging | www.ti.com/video |

TI E2E Community

e2e.ti.com