

## DRV10983 12- to 24-V, Three-Phase, Sensorless BLDC Motor Driver

### 1 Features

- Input Voltage Range: 8 to 28 V
- Total Driver H + L  $r_{DS(on)}$ : 250 m $\Omega$
- Drive Current: 2-A Continuous Winding Current (3-A Peak)
- Sensorless Proprietary Back Electromotive Force (BEMF) Control Scheme
- Continuous Sinusoidal 180° Commutation
- No External Sense Resistor Required
- For Flexibility User May Include External Sense Resistor to Monitor Power Delivered to Motor
- Flexible User Interface Options:
  - I<sup>2</sup>C Interface: Access Registers for Command and Feedback
  - Dedicated SPEED Pin: Accepts Either Analog or PWM Input
  - Dedicated FG Pin: Provides TACH Feedback
  - Spin-Up Profile Customizable With EEPROM
  - Forward-Reverse Control With DIR Pin
- Integrated Step-Down Regulator to Efficiently Provide Voltage (5 V or 3.3 V) for Internal and External Circuits
- Supply Current 3 mA With Standby Version (DRV10983)
- Supply Current 180  $\mu$ A With Sleep Version (DRV10983Z)
- Overcurrent Protection
- Lock Detection
- Voltage Surge Protection
- UVLO Protection
- Thermal Shutdown Protection
- Thermally-Enhanced 24-Pin HTSSOP

### 2 Applications

- Appliance Fan
- HVAC

### 3 Description

The DRV10983 device is a three-phase sensorless motor driver with integrated power MOSFETs, which can provide continuous drive current up to 2 A. The device is specifically designed for cost-sensitive, low-noise, low-external-component-count applications.

The DRV10983 device uses a proprietary sensorless control scheme to provide continuous sinusoidal drive, which significantly reduces the pure tone acoustics that typically occur as a result of commutation. The interface to the device is designed to be simple and flexible. The motor can be controlled directly through PWM, analog, or I<sup>2</sup>C inputs. Motor speed feedback is available through either the FG pin or I<sup>2</sup>C.

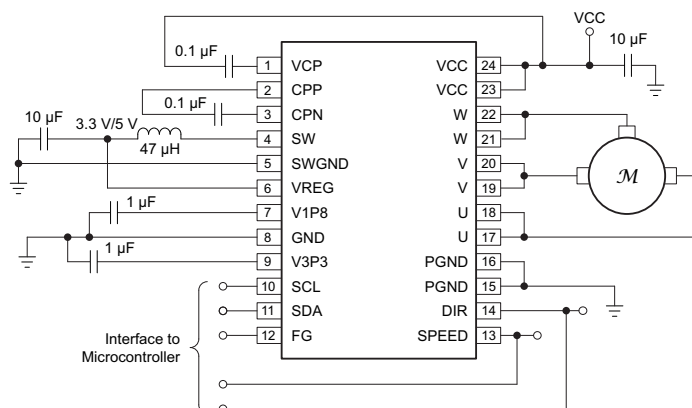
The DRV10983 device features an integrated step-down regulator to efficiently step down the supply voltage to either 5 or 3.3 V for powering both internal and external circuits. The device is available in either a sleep mode or a standby mode version to conserve power when the motor is not running. The standby mode (3-mA) version leaves the regulator running and the sleep mode (180- $\mu$ A) version shuts it off. Use the standby mode version in applications where the regulator is used to power an external microcontroller.

#### Device Information<sup>(1)</sup>

| PART NUMBER | PACKAGE     | BODY SIZE (NOM)   |
|-------------|-------------|-------------------|
| DRV10983    | HTSSOP (24) | 7.80 mm x 6.40 mm |
| DRV10983Z   |             |                   |

(1) For all available packages, see the orderable addendum at the end of the data sheet.

#### Application Schematic



Copyright © 2016, Texas Instruments Incorporated



## Table of Contents

|  |           |  |           |
|--|-----------|--|-----------|
| <b>1 Features</b> .....                        | <b>1</b>  | 8.5 Register Maps .....  | <b>40</b> |
| <b>2 Applications</b> .....                    | <b>1</b>  | <b>9 Application and Implementation</b> .....                    | <b>46</b> |
| <b>3 Description</b> .....                     | <b>1</b>  | 9.1 Application Information .....                                | <b>46</b> |
| <b>4 Revision History</b> .....                | <b>2</b>  | 9.2 Typical Application .....                                    | <b>46</b> |
| <b>5 Description (continued)</b> .....         | <b>4</b>  | <b>10 Power Supply Recommendations</b> .....                     | <b>48</b> |
| <b>6 Pin Configuration and Functions</b> ..... | <b>4</b>  | <b>11 Layout</b> .....   | <b>48</b> |
| <b>7 Specifications</b> .....                  | <b>5</b>  | 11.1 Layout Guidelines .....                                     | <b>48</b> |
| 7.1 Absolute Maximum Ratings .....             | <b>5</b>  | 11.2 Layout Example .....  | <b>49</b> |
| 7.2 ESD Ratings .....                          | <b>5</b>  | <b>12 Device and Documentation Support</b> .....                 | <b>50</b> |
| 7.3 Recommended Operating Conditions .....     | <b>6</b>  | 12.1 Device Support .....  | <b>50</b> |
| 7.4 Thermal Information .....                  | <b>6</b>  | 12.2 Documentation Support .....                                 | <b>50</b> |
| 7.5 Electrical Characteristics .....           | <b>7</b>  | 12.3 Trademarks .....  | <b>50</b> |
| 7.6 Typical Characteristics .....              | <b>9</b>  | 12.4 Electrostatic Discharge Caution .....                       | <b>50</b> |
| <b>8 Detailed Description</b> .....            | <b>10</b> | 12.5 Receiving Notification of Documentation Updates .....       | <b>50</b> |
| 8.1 Overview .....                             | <b>10</b> | 12.6 Community Resources .....                                   | <b>50</b> |
| 8.2 Functional Block Diagram .....             | <b>11</b> | 12.7 Glossary .....  | <b>50</b> |
| 8.3 Feature Description .....                  | <b>12</b> | <b>13 Mechanical, Packaging, and Orderable Information</b> ..... | <b>50</b> |
| 8.4 Device Functional Modes .....              | <b>15</b> |  |           |

## 4 Revision History

NOTE: Page numbers for previous revisions may differ from page numbers in the current version.

| <b>Changes from Revision E (May 2017) to Revision F</b>   | <b>Page</b> |
|---|-------------|
| • Added the internal SPEED pin pulldown resistance to ground parameter to the <i>Electrical Characteristics</i> table ..... | <b>8</b>    |
| • Changed the <i>Step-Down Regulator</i> section .....  | <b>12</b>   |
| • Updated the <i>Motor Phase Resistance</i> section .....   | <b>15</b>   |
| • Deleted the <i>Inductive AVS Function</i> section .....   | <b>35</b>   |
| • Changed the default value for register address 0x29 from 0xB7 to 0xB9 in the <i>Default EEPROM Value</i> table .....      | <b>41</b>   |
| • Added application information for the sleep mode device .....   | <b>46</b>   |

| <b>Changes from Revision D (May 2017) to Revision E</b>         | <b>Page</b> |
|---|-------------|
| • Changed pin numbering in the <i>Pin Functions</i> table ..... | <b>4</b>    |

| <b>Changes from Revision C (May 2016) to Revision D</b>   | <b>Page</b> |
|---|-------------|
| • Added the DRV10983Z part number to the data sheet header and to the <i>Device Information</i> table ..... | <b>1</b>    |
| • Added DRV10983Z part number .....   | <b>6</b>    |
| • Corrected the link to the <i>DRV10983 and DRV10975 Tuning Guide</i> .....                                 | <b>15</b>   |
| • Added text to the <i>PWM Output</i> section .....   | <b>35</b>   |
| • Changed <a href="#">Figure 37</a> .....   | <b>36</b>   |
| • Changed "FGOLSet[1:0]" to "FGOLsel[1:0]" in <i>Register Map</i> address 0x2B .....                        | <b>40</b>   |
| • Added recommended minimum dead time to SysOpt7 register .....   | <b>45</b>   |
| • Added <i>External Components</i> table .....  | <b>47</b>   |
| • Changed the link to the <i>DRV10983 and DRV10975 Tuning Guide</i> .....                                   | <b>47</b>   |
| • Changed the layout example .....  | <b>49</b>   |

---

**Changes from Revision B (February 2015) to Revision C** **Page**


---

- Added "phase to phase" clarification for overcurrent protection..... **8**
  - Added more accurate description to clarify overcurrent protection operation ..... **13**
- 

**Changes from Revision A (October 2014) to Revision B** **Page**


---

- Updated data sheet with the DRV10983Z sleep version ..... **1**
- 

**Changes from Original (July 2014) to Revision A** **Page**

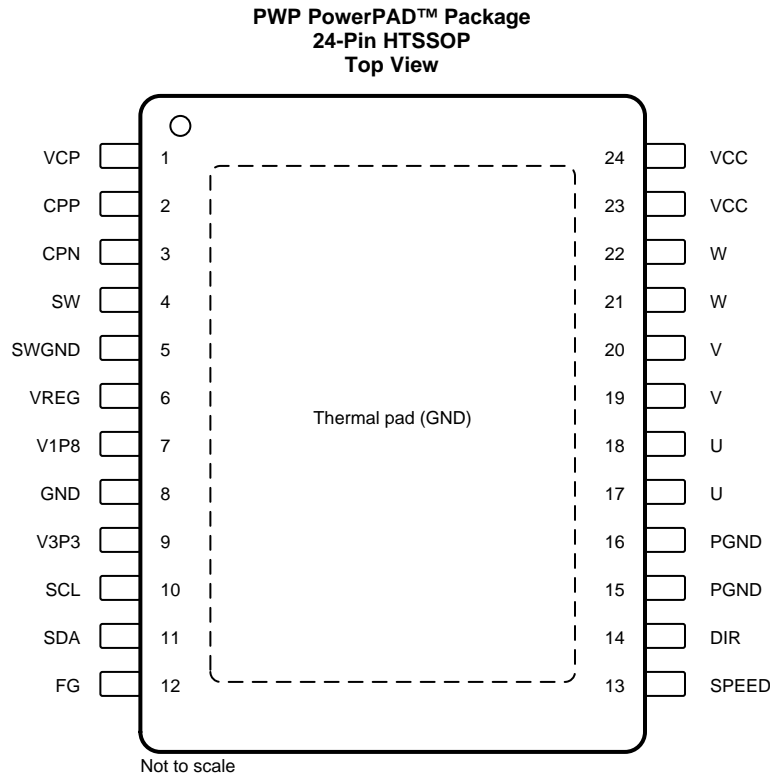

---

- Updated the input voltage range: 8 to 28 V..... **1**
  - Removed DRV10983Z sleep version part and updated standby mode supply current ..... **1**
  - Updated pin information for SW, SWGND, VREG, SDA, FG, and VCC pins ..... **4**
  - Added DIR, SW, and VREG pins to *Absolute Maximum Ratings* ..... **5**
  - Updated max supply voltage and voltage range ratings for VCC and U, V, W in *Recommended Operating Conditions* ..... **5**
  - Updated *Functional Block Diagram* ..... **11**
  - Changed "hardware current limit" to "lock detection current limit" and "software current" to "acceleration current limit" throughout data sheet..... **13**
  - Updated max value for open to closed loop threshold ..... **25**
  - Corrected description to "velocity constant of the motor" for [Equation 2](#) ..... **25**
  - Corrected register name in [Start-Up Current Setting](#) ..... **25**
  - Updated [Equation 3](#) ..... **25**
  - Updated [Figure 20](#) ..... **26**
  - Updated caption name for [Figure 24](#) ..... **28**
  - Corrected max speed command setting for SpdCtrl[8:0] ..... **28**
  - Updated register description for status register. .... **40**
  - Updated the data in the examples for MotorSpeed1 and MotorPeriod1 ..... **42**
  - Updated IPDPosition description in *Register Map* ..... **42**
  - Increased max motor voltage for Recommended Application Range ..... **47**
  - Updated graph callout for [Figure 41](#) ..... **48**
-

## 5 Description (continued)

An I<sup>2</sup>C interface allows the user to reprogram specific motor parameters in registers and program the EEPROM to help optimize the performance for a given application. The DRV10983 device is available in a thermally efficient HTSSOP, 24-pin package with an exposed thermal pad. The operating temperature is specified from –40°C to 125°C.

## 6 Pin Configuration and Functions



### Pin Functions

| PIN   |        | TYPE <sup>(1)</sup> | DESCRIPTION   |
|-------|--------|---------------------|---|
| NAME  | NO.    |                     |   |
| VCP   | 1      | P                   | Charge pump output.   |
| CPN   | 3      | P                   | Charge pump pin 1, use a ceramic capacitor between CPN and CPP. |
| CPP   | 2      | P                   | Charge pump pin 2, use a ceramic capacitor between CPN and CPP. |
| DIR   | 14     | I                   | Direction   |
| FG    | 12     | O                   | FG signal output.   |
| GND   | 8      | —                   | Digital and analog ground                                       |
| PGND  | 15, 16 | —                   | Power ground  |
| SCL   | 10     | I                   | I <sup>2</sup> C clock signal                                   |
| SDA   | 11     | I/O                 | I <sup>2</sup> C data signal                                    |
| SPEED | 13     | I                   | Speed control signal for PWM or analog input speed command      |
| SW    | 4      | O                   | Step-down regulator switching node output                       |
| SWGND | 5      | P                   | Step-down regulator ground                                      |
| U     | 17, 18 | O                   | Motor U phase   |
| V     | 19, 20 | O                   | Motor V phase   |

(1) I = input, O = output, I/O = input/output, P = power

### Pin Functions (continued)

| PIN               |        | TYPE <sup>(1)</sup> | DESCRIPTION   |
|-------------------|--------|---------------------|---|
| NAME              | NO.    |                     |   |
| V1P8              | 7      | P                   | Internal 1.8-V digital core voltage. V1P8 capacitor must connect to GND. This is an output, but not specified to drive external loads.  |
| V3P3              | 9      | P                   | Internal 3.3-V supply voltage. V3P3 capacitor must connect to GND. This is an output and may drive external loads not to exceed I <sub>V3P3_MAX</sub> .   |
| V <sub>CC</sub>   | 23, 24 | P                   | Device power supply   |
| VREG              | 6      | P                   | Step-down regulator output and feedback point   |
| W                 | 21, 22 | O                   | Motor W phase   |
| thermal pad (GND) | —      | —                   | The exposed thermal pad must be electrically connected to ground plane through soldering to PCB for proper operation and connected to bottom side of PCB through vias for better thermal spreading. |

## 7 Specifications

### 7.1 Absolute Maximum Ratings

over operating ambient temperature (unless otherwise noted)<sup>(1)</sup>

|  |          | MIN  | MAX                    | UNIT |
|--|----------|------|------------------------|------|
| Input voltage <sup>(2)</sup>                     | VCC      | −0.3 | 30                     | V    |
|  | SPEED    | −0.3 | 4                      |      |
|  | GND      | −0.3 | 0.3                    |      |
|  | SCL, SDA | −0.3 | 4                      |      |
|  | DIR      | −0.3 | 4                      |      |
| Output voltage <sup>(2)</sup>                    | U, V, W  | −1   | 30                     | V    |
|  | SW       | −1   | 30                     |      |
|  | VREG     | −0.3 | 7                      |      |
|  | FG       | −0.3 | 4                      |      |
|  | VCP      | −0.3 | V <sub>(VCC)</sub> + 6 |      |
|  | CPN      | −0.3 | 30                     |      |
|  | CPP      | −0.3 | V <sub>(VCC)</sub> + 6 |      |
|  | V3P3     | −0.3 | 4                      |      |
| V1P8   | −0.3     | 2.5  |                        |      |
| Maximum junction temperature, T <sub>J_MAX</sub> |          | −40  | 150                    | °C   |
| Storage temperature, T <sub>stg</sub>            |          | −55  | 150                    | °C   |

(1) Stresses beyond those listed under *Absolute Maximum Ratings* may cause permanent damage to the device. These are stress ratings only, which do not imply functional operation of the device at these or any other conditions beyond those indicated under *Recommended Operating Conditions*. Exposure to absolute-maximum-rated conditions for extended periods may affect device reliability.

(2) All voltage values are with respect to the network ground terminal unless otherwise noted.

### 7.2 ESD Ratings

|                    |                         |  | VALUE | UNIT |
|--------------------|-------------------------|--|-------|------|
| V <sub>(ESD)</sub> | Electrostatic discharge | Human body model (HBM), per ANSI/ESDA/JEDEC JS-001, all pins <sup>(1)</sup>              | ±2500 | V    |
|                    |                         | Charged device model (CDM), per JEDEC specification JESD22-C101, all pins <sup>(2)</sup> | ±1500 |      |

(1) JEDEC document JEP155 states that 500-V HBM allows safe manufacturing with a standard ESD control process.

(2) JEDEC document JEP157 states that 250-V CDM allows safe manufacturing with a standard ESD control process.

### 7.3 Recommended Operating Conditions

over operating ambient temperature range (unless otherwise noted)

|  |  | MIN  | NOM | MAX | UNIT |
|--|--|------|-----|-----|------|
| Supply voltage                                 | VCC  | 8    | 24  | 28  | V    |
| Voltage  | U, V, W  | -0.7 |     | 29  | V    |
|  | SCL, SDA, FG, SPEED, DIR                         | -0.1 | 3.3 | 3.6 |      |
|  | PGND, GND  | -0.1 |     | 0.1 |      |
| Current  | Step-down regulator output current (buck mode)   |      |     | 100 | mA   |
|  | Step-down regulator output current (linear mode) |      |     | 0   |      |
|  | V3P3 LDO output current                          |      |     | 5   |      |
| Operating junction temperature, T <sub>J</sub> |  | -40  |     | 125 | °C   |

### 7.4 Thermal Information

| THERMAL METRIC <sup>(1)</sup> |  | DRV10983, DRV10983Z |  | UNIT |
|-------------------------------|--|---------------------|--|------|
|                               |  | PWP (HTSSOP)        |  |      |
|                               |  | 24 PINS             |  |      |
| R <sub>θJA</sub>              | Junction-to-ambient thermal resistance       | 36.1                |  | °C/W |
| R <sub>θJC(top)</sub>         | Junction-to-case (top) thermal resistance    | 17.4                |  | °C/W |
| R <sub>θJB</sub>              | Junction-to-board thermal resistance         | 14.8                |  | °C/W |
| Ψ <sub>JT</sub>               | Junction-to-top characterization parameter   | 0.4                 |  | °C/W |
| Ψ <sub>JB</sub>               | Junction-to-board characterization parameter | 14.5                |  | °C/W |
| R <sub>θJC(bot)</sub>         | Junction-to-case (bottom) thermal resistance | 1.1                 |  | °C/W |

- (1) For more information about traditional and new thermal metrics, see the [Semiconductor and IC Package Thermal Metrics application report](#).

## 7.5 Electrical Characteristics

over operating ambient temperature range (unless otherwise noted)

| PARAMETER                         |  | TEST CONDITIONS  | MIN                | TYP                     | MAX          | UNIT          |
|-----------------------------------|--|--|--------------------|-------------------------|--------------|---------------|
| <b>SUPPLY CURRENT (DRV10983)</b>  |  |  |                    |                         |              |               |
| $I_{VCC}$                         | Supply current                         | $T_A = 25^\circ\text{C}$ ; sleepDis = 1; SPEED = 0 V; $V_{(VCC)} = 24$ V; buck regulator                               |                    | 3.5                     | 5            | mA            |
|                                   |  | $T_A = 25^\circ\text{C}$ ; sleepDis = 1; SPEED = 0 V; $V_{(VCC)} = 24$ V; linear regulator                             |                    | 11                      |              |               |
| $I_{VCCSTBY}$                     | Standby current                        | $T_A = 25^\circ\text{C}$ ; SPEED = 0 V; $V_{(VCC)} = 24$ V; standby mode device; buck regulator                        |                    | 3                       | 4            | mA            |
|                                   |  | $T_A = 25^\circ\text{C}$ ; SPEED = 0 V; $V_{(VCC)} = 24$ V; standby mode device; linear regulator                      |                    | 9                       |              |               |
| <b>SUPPLY CURRENT (DRV10983Z)</b> |  |  |                    |                         |              |               |
| $I_{VCC}$                         | Supply current                         | $T_A = 25^\circ\text{C}$ ; sleepDis = 1; SPEED = 0 V; $V_{(VCC)} = 24$ V; buck regulator                               |                    | 3.5                     | 5            | mA            |
|                                   |  | $T_A = 25^\circ\text{C}$ ; sleepDis = 1; SPEED = 0 V; $V_{(VCC)} = 24$ V; linear regulator                             |                    | 11                      |              |               |
| $I_{VCCSLEEP}$                    | Sleep current                          | $T_A = 25^\circ\text{C}$ ; SPEED = 0 V; $V_{(VCC)} = 24$ V; sleep mode device; buck regulator                          |                    | 160                     | 200          | $\mu\text{A}$ |
| <b>UVLO</b>                       |  |  |                    |                         |              |               |
| $V_{UVLO\_R}$                     | UVLO threshold voltage                 | Rise threshold, $T_A = 25^\circ\text{C}$   | 7                  | 7.4                     | 8            | V             |
| $V_{UVLO\_F}$                     | UVLO threshold voltage                 | Fall threshold, $T_A = 25^\circ\text{C}$   | 6.7                | 7.1                     | 7.5          | V             |
| $V_{UVLO\_HYS}$                   | UVLO threshold voltage hysteresis      | $T_A = 25^\circ\text{C}$   | 200                | 300                     | 400          | mV            |
| <b>LDO OUTPUT</b>                 |  |  |                    |                         |              |               |
| V3P3                              |  | $V_{(VCC)} = 24$ V, $T_A = 25^\circ\text{C}$ , VregSel = 0, 5-mA load  | 3                  | 3.3                     | 3.6          | V             |
|                                   |  | $V_{(VCC)} = 24$ V, $T_A = 25^\circ\text{C}$ , VregSel = 1, $V_{(VREG)} < 3.3$ V, 5-mA load                            | $V_{(VREG)} - 0.3$ | $V_{(VREG)} - 0.1$      | $V_{(VREG)}$ |               |
|                                   |  | $V_{(VCC)} = 24$ V, $T_A = 25^\circ\text{C}$ , VregSel = 1, $V_{(VREG)} \geq 3.3$ V, 5-mA load                         | 3                  | 3.3                     | 3.6          |               |
| $I_{V3P3\_MAX}$                   | Maximum load from V3P3                 | $V_{(VCC)} = 24$ V, $T_A = 25^\circ\text{C}$   |                    | 5                       |              | mA            |
| V1P8                              |  | $V_{(VCC)} = 24$ V, $T_A = 25^\circ\text{C}$ , VregSel = 0   | 1.6                | 1.78                    | 2            | V             |
|                                   |  | $V_{(VCC)} = 24$ V, $T_A = 25^\circ\text{C}$ , VregSel = 1   | 1.6                | 1.78                    | 2            |               |
| <b>STEP-DOWN REGULATOR</b>        |  |  |                    |                         |              |               |
| $V_{REG}$                         | Regulator output voltage               | $T_A = 25^\circ\text{C}$ ; VregSel = 0, $L_{SW} = 47$ $\mu\text{H}$ , $C_{SW} = 10$ $\mu\text{F}$ , $I_{load} = 50$ mA | 4.5                | 5                       | 5.5          | V             |
|                                   |  | $T_A = 25^\circ\text{C}$ ; VregSel = 1, $L_{SW} = 47$ $\mu\text{H}$ , $C_{SW} = 10$ $\mu\text{F}$ , $I_{load} = 50$ mA | 3.06               | 3.4                     | 3.6          |               |
| $V_{REG\_L}$                      | Regulator output voltage (linear mode) | $T_A = 25^\circ\text{C}$ , VregSel = 0, $R_{SW} = 39$ $\Omega$ , $C_{SW} = 10$ $\mu\text{F}$                           |                    | 5                       |              | V             |
|                                   |  | $T_A = 25^\circ\text{C}$ , VregSel = 1, $R_{SW} = 39$ $\Omega$ , $C_{SW} = 10$ $\mu\text{F}$                           |                    | 3.4                     |              |               |
| $I_{REG\_MAX}$                    | Maximum load from $V_{REG}$            | $T_A = 25^\circ\text{C}$ , $L_{SW} = 47$ $\mu\text{H}$ , $C_{SW} = 10$ $\mu\text{F}$                                   |                    | 100                     |              | mA            |
| <b>INTEGRATED MOSFET</b>          |  |  |                    |                         |              |               |
| $r_{DS(on)}$                      | Series resistance (H + L)              | $T_A = 25^\circ\text{C}$ ; $V_{(VCC)} = 24$ V; $V_{(VCP)} = 29$ V; $I_{out} = 1$ A                                     |                    | 0.25                    | 0.4          | $\Omega$      |
|                                   |  | $T_A = 85^\circ\text{C}$ ; $V_{(VCC)} = 24$ V; $V_{(VCP)} = 29$ V; $I_{out} = 1$ A                                     |                    | 0.325                   |              |               |
| <b>SPEED – ANALOG MODE</b>        |  |  |                    |                         |              |               |
| $V_{ANA\_FS}$                     | Analog full speed voltage              |  |                    | $V_{(V3P3)} \times 0.9$ |              | V             |
| $V_{ANA\_ZS}$                     | Analog zero speed voltage              |  |                    | 100                     |              | mV            |
| $t_{SAM}$                         | Analog speed sample period             |  |                    | 320                     |              | $\mu\text{s}$ |
| $V_{ANA\_RES}$                    | Analog voltage resolution              |  |                    | 5.8                     |              | mV            |
| <b>SPEED – PWM DIGITAL MODE</b>   |  |  |                    |                         |              |               |

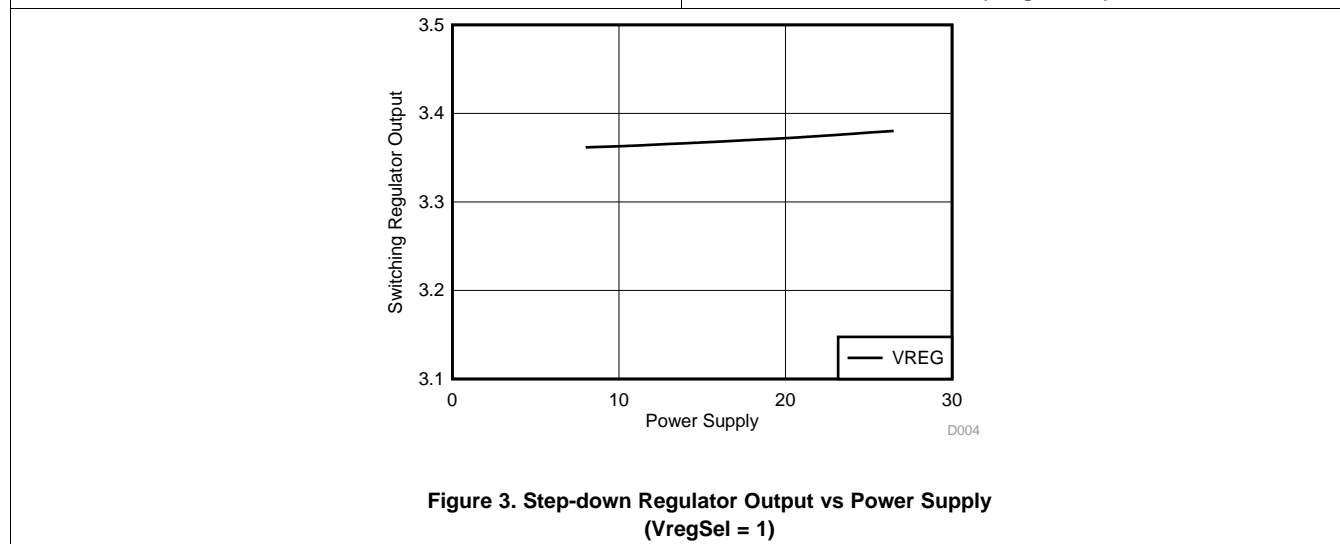
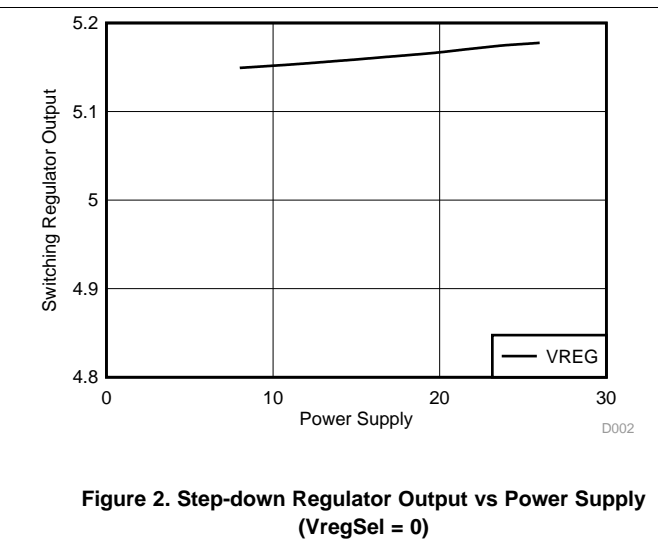
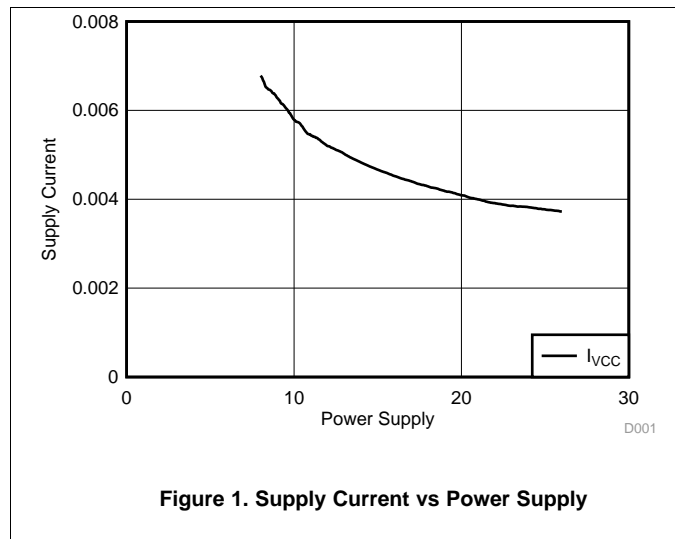
## Electrical Characteristics (continued)

over operating ambient temperature range (unless otherwise noted)

| PARAMETER                                    | TEST CONDITIONS                                  | MIN  | TYP | MAX | UNIT |
|--|--|--|-----|-----|------|
| V <sub>DIG_IH</sub>                          | PWM input high voltage                           | 2.2  |     |     | V    |
| V <sub>DIG_IL</sub>                          | PWM input low voltage                            |  |     | 0.6 | V    |
| f <sub>PWM</sub>                             | PWM input frequency                              | 1  |     | 100 | kHz  |
| <b>SLEEP OR STANDBY CONDITION</b>            |  |  |     |     |      |
| V <sub>EN_SL_SB</sub>                        | Analog voltage-to-enter sleep or standby         | SpdCtrlMd = 0 (analog mode)                                | 30  |     | mV   |
| V <sub>EX_SL</sub>                           | Analog voltage-to-exit sleep                     | SpdCtrlMd = 0 (analog mode)                                | 2.2 | 3.3 | V    |
| V <sub>EX_SB</sub>                           | Analog voltage-to-exit standby                   | SpdCtrlMd = 0 (analog mode)                                |     | 120 | mV   |
| t <sub>EX_SL</sub>                           | Time-to-exit from sleep mode                     | SpdCtrlMd = 0 (analog mode)<br>SPEED > V <sub>DIG_IH</sub> |     | 1   | μs   |
| t <sub>EX_SB</sub>                           | Time-to-exit from standby mode                   | SpdCtrlMd = 0 (analog mode)<br>SPEED > V <sub>EX_SB</sub>  |     | 700 | ms   |
| t <sub>EX_SL_SB</sub>                        | Time-to-exit from sleep or standby condition     | SpdCtrlMd = 1 (PWM mode)<br>SPEED > V <sub>DIG_IH</sub>    |     | 1   | μs   |
| t <sub>EN_SL_SB</sub>                        | Time-to-enter sleep or standby condition         | SpdCtrlMd = 1 (PMW mode)<br>SPEED < V <sub>DIG_IL</sub>    |     | 5   | ms   |
| R <sub>PD_SPEED_SL</sub>                     | Internal SPEED pin pulldown resistance to ground | V <sub>SPEED</sub> = 0 (sleep mode)                        | 55  |     | kΩ   |
| <b>DIGITAL I/O (DIR INPUT AND FG OUTPUT)</b> |  |  |     |     |      |
| V <sub>DIR_H</sub>                           | Input high                                       |  | 2.2 |     | V    |
| V <sub>DIR_L</sub>                           | Input low  |  |     | 0.6 | V    |
| I <sub>FG_SINK</sub>                         | Output sink current                              | V <sub>out</sub> = 0.3 V                                   | 5   |     | mA   |
| <b>I<sup>2</sup>C SERIAL INTERFACE</b>       |  |  |     |     |      |
| V <sub>I2C_H</sub>                           | Input high                                       |  | 2.2 |     | V    |
| V <sub>I2C_L</sub>                           | Input low  |  |     | 0.6 | V    |
| <b>LOCK DETECTION RELEASE TIME</b>           |  |  |     |     |      |
| t <sub>LOCK_OFF</sub>                        | Lock release time                                |  |     | 5   | s    |
| t <sub>LCK_ETR</sub>                         | Lock enter time                                  |  |     | 0.3 | s    |
| <b>OVERCURRENT PROTECTION</b>                |  |  |     |     |      |
| I <sub>OC_limit</sub>                        | Overcurrent protection                           | T <sub>A</sub> = 25°C; phase to phase                      | 3   | 4   | A    |
| <b>THERMAL SHUTDOWN</b>                      |  |  |     |     |      |
| T <sub>SDN</sub>                             | Shutdown temperature threshold                   | Shutdown temperature                                       |     | 150 | °C   |
| T <sub>SDN_HYS</sub>                         | Shutdown temperature threshold                   | Hysteresis   |     | 10  | °C   |



## 7.6 Typical Characteristics



## 8 Detailed Description

### 8.1 Overview

The DRV10983 is a three-phase sensorless motor driver with integrated power MOSFETs, which provide drive current capability up to 2 A continuous. The device is specifically designed for low-noise, low external component count, 12- to 24-V motor drive applications. The device is configurable through a simple I<sup>2</sup>C interface to accommodate different motor parameters and spin-up profiles for different customer applications.

A 180° sensorless control scheme provides continuous sinusoidal output voltages to the motor phases to enable ultra-quiet motor operation by keeping the electrically induced torque ripple small.

The DRV10983 features extensive protection and fault detect mechanisms to ensure reliable operation. Voltage surge protection prevents the input V<sub>cc</sub> capacitor from overcharging, which is typical during motor deceleration. The device provides phase to phase overcurrent protection without the need for an external current sense resistor. Rotor lock detect is available through several methods. These methods can be configured with register settings to ensure reliable operation. The device provides additional protection for undervoltage lockout (UVLO) and for thermal shutdown.

The commutation control algorithm continuously measures the motor phase current and periodically measures the V<sub>CC</sub> supply voltage. The device uses this information for BEMF estimation, and the information is also provided through the I<sup>2</sup>C register interface for debug and diagnostic use in the system, if desired.

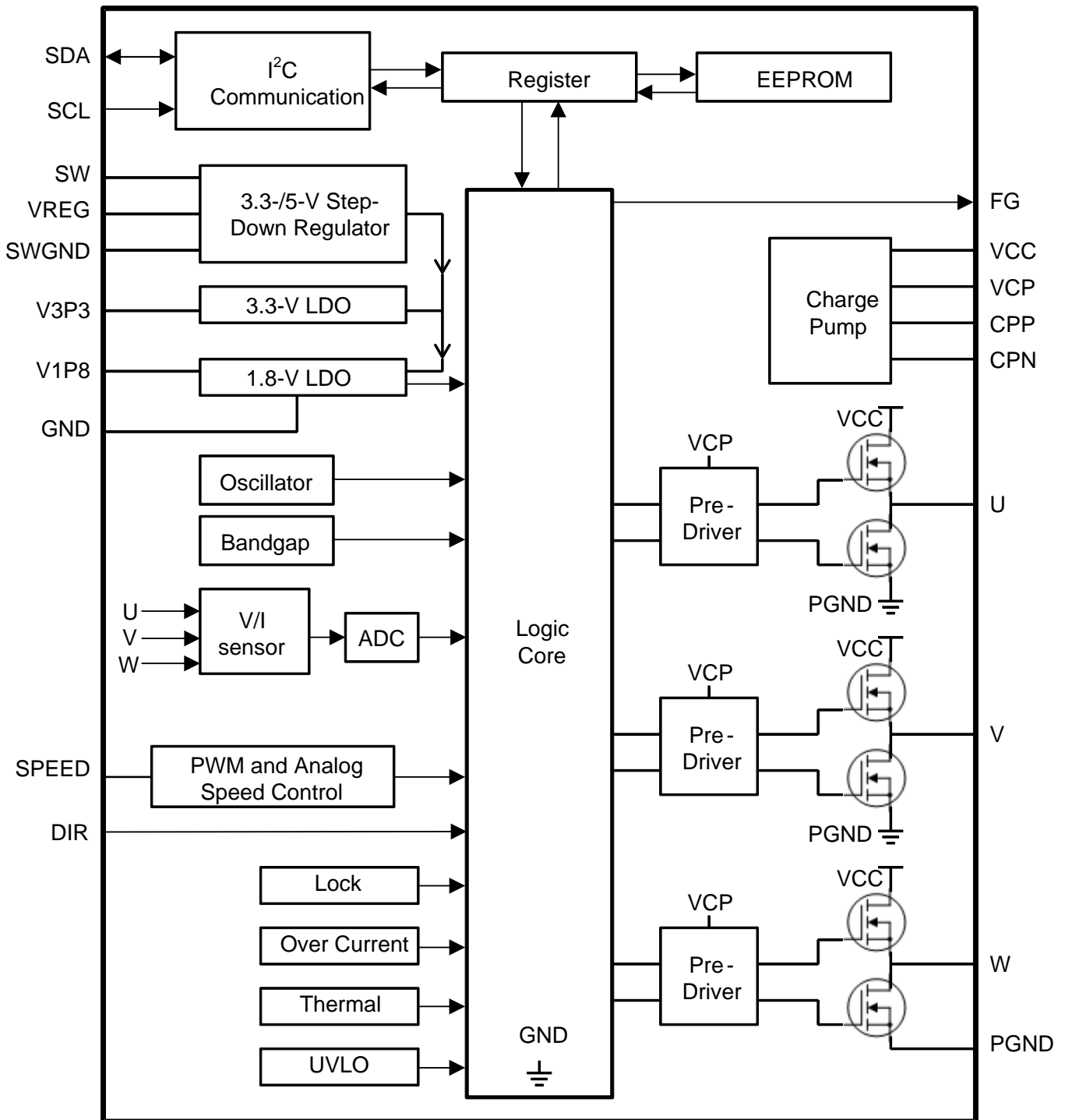
A buck step-down regulator efficiently steps down the supply voltage. The output of this regulator provides power for the internal circuits and can also be used to provide power for an external circuit such as a microcontroller. If providing power for an external circuit is not necessary (and to reduce system cost), configure the buck step-down regulator as a linear regulator by replacing the inductor with resistor.

TI designed the interfacing to the DRV10983 to be flexible. In addition to the I<sup>2</sup>C interface, the system can use the discrete FG pin, DIR pin, and SPEED pin. SPEED is the speed command input pin. It controls the output voltage amplitude. DIR is the direction control input pin. FG is the speed indicator output, which shows the frequency of the motor commutation.

EEPROM is integrated in the DRV10983 as memory for the motor parameter and operation settings. EEPROM data transfers to the register after power on and exit from sleep mode.

The DRV10983 device can also operate in register mode. If the system includes a microcontroller communicating through the I<sup>2</sup>C interface, the device can dynamically update the motor parameter and operation settings by writing to the registers. In this configuration, the EEPROM data is bypassed by the register settings.

## 8.2 Functional Block Diagram



## 8.3 Feature Description

### 8.3.1 Regulators

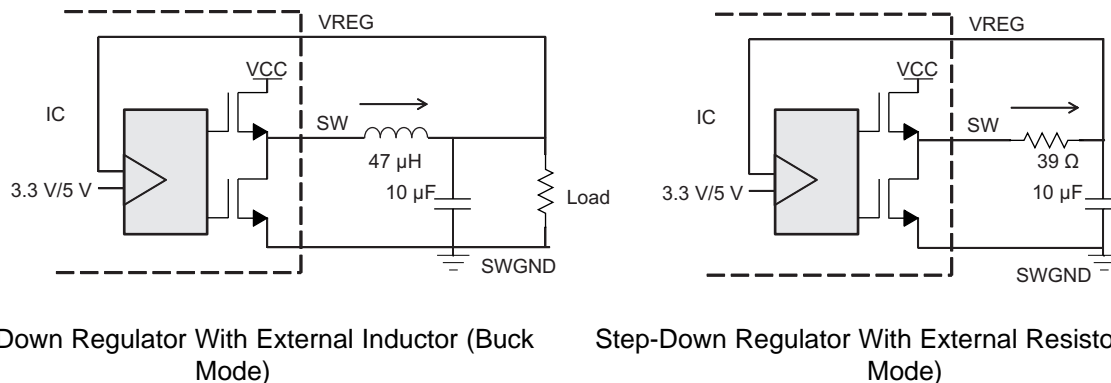
#### 8.3.1.1 Step-Down Regulator

The DRV10983 includes a hysteretic step-down voltage regulator that can be operated as either a switching buck regulator using an external inductor or as a linear regulator using an external resistor (see [Figure 4](#)). The best efficiency is achieved when the step-down regulator is in buck mode. However, the DRV10983Z device (sleep mode version) only operates with the step-down regulator in linear mode and with a Zener diode as described in the [Typical Application](#) section. The regulator output voltage can be configured by register bit VregSel. When VregSel = 0, the regulator output voltage is 5 V, and when VregSel = 1, the regulator output voltage is 3.3 V. When the regulated voltage drops by the hysteresis level, the high-side FET turns on to increase the regulated voltage back to the target of 3.3 V or 5 V. The switching frequency of the hysteretic regulator is not constant and changes with the load.

If the step-down regulator is configured in buck mode, see  $I_{REG\_MAX}$  in the [Electrical Characteristics](#) to determine the amount of current provided for external load. If the step-down regulator is configured as linear mode, it is used for the device internal circuit only.

#### NOTE

The DRV10983Z step-down regulator only operates in linear mode (using an external resistor) and with a Zener diode as described in the [Typical Application](#) section. The DRV10983Z device does not support buck mode (using an external inductor) as shown in [Figure 4](#).



**Figure 4. Step-Down Regulator Configurations**

#### 8.3.1.2 3.3-V and 1.8-V LDO

The DRV10983 includes a 3.3-V LDO and an 1.8-V LDO. The 1.8-V LDO is for internal circuit only. The 3.3-V LDO is mainly for internal circuits, but can also drive external loads not to exceed  $I_{V3P3\_MAX}$  listed in the [Electrical Characteristics](#). For example, it can work as a pullup voltage for the FG, DIR, SDA, and SCL interface.

Both V1P8 and V3P3 capacitor must be connected to GND.

### 8.3.2 Protection Circuits

#### 8.3.2.1 Thermal Shutdown

The DRV10983 has a built-in thermal shutdown function, which shuts down the device when junction temperature is more than  $T_{SDN}$  °C and recovers operating conditions when junction temperature falls to  $T_{SDN} - T_{SDN\_HYS}$  °C.

The OverTemp status bit (address 0x10 bit 7) is set during thermal shutdown.

## Feature Description (continued)

### 8.3.2.2 Undervoltage Lockout (UVLO)

The DRV10983 has a built-in UVLO function block. The hysteresis of UVLO threshold is  $V_{UVLO-HYS}$ . The device is locked out when  $V_{CC}$  is down to  $V_{UVLO-F}$  and woke up at  $V_{UVLO-R}$ .

### 8.3.2.3 Overcurrent Protection (OCP)

The overcurrent protection function acts to protect the device if the current, as measured from the FETs, exceeds the  $I_{OC-limit}$  threshold. It protects the device from phase-to-phase short-circuit conditions; the DRV10983 places the output drivers into a high-impedance state and maintains this condition until the overcurrent is no longer present. The OverCurr status bit (address 0x10 bit 5) is set.

The DRV10983 also provides acceleration current limit and lock detection current limit functions to protect the device and motor (see [Current Limit](#) and [Lock Detect and Fault Handling](#)).

### 8.3.2.4 Lock

When the motor is blocked or stopped by an external force, the lock protection is triggered, and the device stops driving the motor immediately. After the lock release time  $t_{LOCK\_OFF}$ , the DRV10983 resumes driving the motor again. If the lock condition is still present, it enters the next lock protection cycle until the lock condition is removed. With this lock protection, the motor and device does not get overheated or damaged due to the motor being locked (see [Lock Detect and Fault Handling](#)).

During lock condition, the MtrLck Status bit (address 0x10, bit 4) is set. To further diagnose, check the register FaultCode.

## 8.3.3 Motor Speed Control

The DRV10983 offers four methods for indirectly controlling the speed of the motor by adjusting the output voltage amplitude. This can be accomplished by varying the supply voltage ( $V_{CC}$ ) or by controlling the Speed Command. The Speed Command can be controlled in one of three ways. The user can set the Speed Command on the SPEED pin by adjusting either the PWM input (SPEED pin configured for PWM mode) or the analog input (SPEED pin configured for analog mode), or by writing the Speed Command directly through the I<sup>2</sup>C serial port to SpdCtrl[8:0]. The Speed Command is used to determine the PWM duty cycle output (PWM\_DCO) (see [Figure 5](#)).

The Speed Command may not always be equal to the PWM\_DCO because DRV10983 has implemented the AVS function (see [AVS Function](#)), the acceleration current limit function (see [Acceleration Current Limit](#)), and the closed loop accelerate function (see [Closed Loop Accelerate](#)) to optimize the control performance. These functions can limit the PWM\_DCO, which affects the output amplitude.

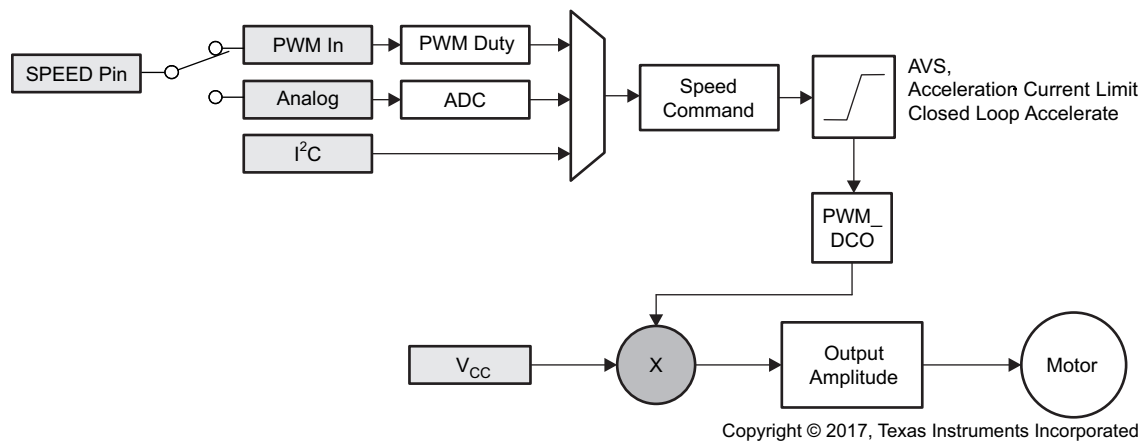


Figure 5. Multiplexing the Speed Command to the Output Amplitude Applied to the Motor

The output voltage amplitude applied to the motor is accomplished through sine wave modulation so that the phase-to-phase voltage is sinusoidal.

### Feature Description (continued)

When any phase is measured with respect to ground, the waveform is sinusoidally coupled with third-order harmonics. This encoding technique permits one phase to be held at ground while the other two phases are pulse-width modulated. Figure 6 and Figure 7 show the sinusoidal encoding technique used in the DRV10983.

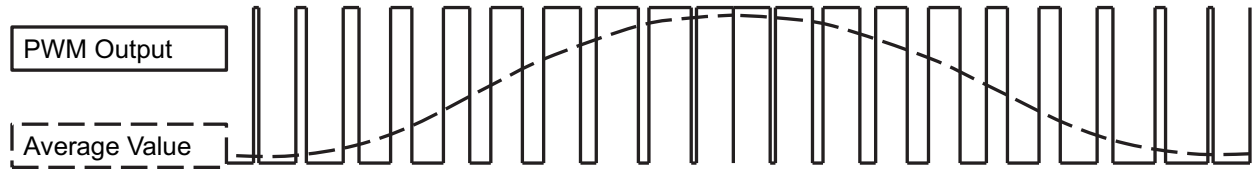
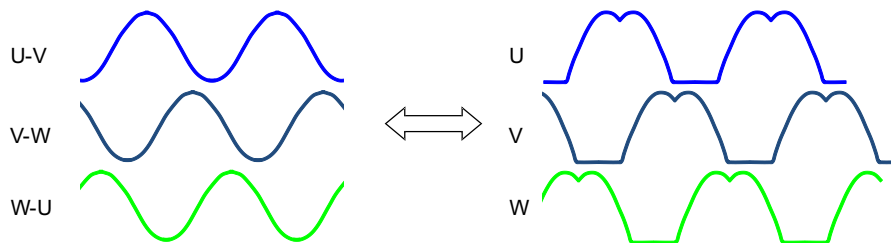


Figure 6. PWM Output and the Average Value



Sinusoidal voltage from phase to phase

Sinusoidal voltage with third order harmonics from phase to GND

Figure 7. Representing Sinusoidal Voltages With Third-Order Harmonic Output

The output amplitude is determined by the magnitude of  $V_{CC}$  and the PWM duty cycle output (PWM\_DCO). The PWM\_DCO represents the peak duty cycle that is applied in one electrical cycle. The maximum amplitude is reached when PWM\_DCO is at 100%. The peak output amplitude is  $V_{CC}$ . When the PWM\_DCO is at 50%, the peak amplitude is  $V_{CC} / 2$  (see Figure 8).

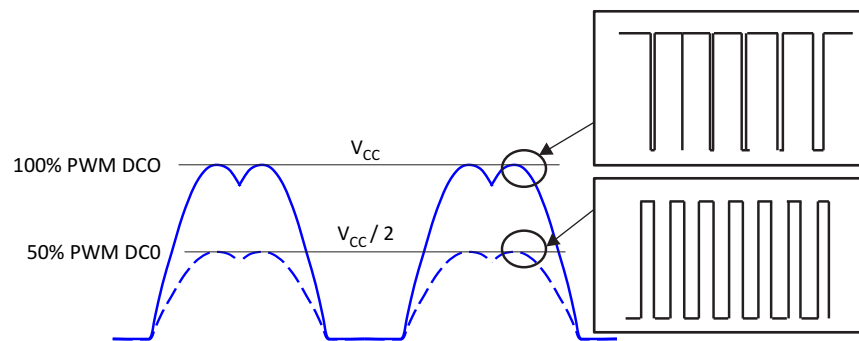


Figure 8. Output Voltage Amplitude Adjustment

#### 8.3.4 Sleep or Standby Condition

The DRV10983 is available in either a sleep mode or standby mode version. The DRV10983 enters either sleep or standby to conserve energy. When the device enters either sleep or standby, the motor stops driving. The step-down regulator is disabled in the sleep mode version to conserve more energy. The I<sup>2</sup>C interface is disabled and any register data not stored in EEPROM will be reset. The step-down regulator remains active in the standby mode version. The register data is maintained, and the I<sup>2</sup>C interface remains active.

Setting sleepDis = 1 prevents the device from entering into the sleep or standby condition. If the device has already entered into sleep or standby condition, setting sleepDis = 1 will not take it out of the sleep or standby condition. During a sleep or standby condition, the Slp\_Stdb status bit (address 0x10, bit 6) will be set.

## Feature Description (continued)

For different speed command modes, [Table 1](#) shows the timing and command to enter the sleep or standby condition.

**Table 1. Conditions to Enter or Exit Sleep or Standby Condition**

| SPEED COMMAND MODE | ENTER SLEEP OR STANDBY CONDITION                          | EXIT FROM STANDBY CONDITION                                 | EXIT FROM SLEEP CONDITION                                 |
|--------------------|---|---|---|
| Analog             | SPEED pin voltage < $V_{EN\_SL\_SB}$ for $T_{EN\_SL\_SB}$ | SPEED pin voltage > $V_{EX\_SB}$ for $T_{EX\_SB}$           | SPEED pin high ( $V > V_{DIG\_IH}$ ) for $T_{EX\_SL\_SB}$ |
| PWM                | SPEED pin low ( $V < V_{DIG\_IL}$ ) for $T_{EN\_SL\_SB}$  | SPEED pin high ( $V > V_{DIG\_IH}$ ) for $T_{EX\_SL\_SB}$   | SPEED pin high ( $V > V_{DIG\_IH}$ ) for $T_{EX\_SL\_SB}$ |
| I <sup>2</sup> C   | SpdCtrl[8:0] is programmed as 0 for $T_{EN\_SL\_SB}$      | SpdCtrl[8:0] is programmed as non-zero for $T_{EX\_SL\_SB}$ | SPEED pin high ( $V > V_{DIG\_IH}$ ) for $T_{EX\_SL\_SB}$ |

Note that using the analog speed command, a higher voltage is required to exit from the sleep condition than the standby condition. The I<sup>2</sup>C speed command cannot take the device out of the sleep condition because I<sup>2</sup>C communication is disabled during the sleep condition.

### 8.3.5 Non-Volatile Memory

The DRV10983 has 96-bits of EEPROM data, which are used to program the motor parameters as described in the [I<sup>2</sup>C Serial Interface](#).

The procedure for programming the EEPROM is as follows. TI recommends to perform the EEPROM programming without the motor spinning, power cycle after the EEPROM write, and read back the EEPROM to verify the programming is successful.

1. Set Sldata = 1.
2. Write the desired motor parameters into the corresponding registers (address 0x20:0x2B) (see [I<sup>2</sup>C Serial Interface](#)).
3. Write 1011 0110 (0xB6) to enProgKey in the DevCtrl register.
4. Ensure that  $V_{CC}$  is at or above 22 V.
5. Write eeWrite = 1 in EECtrl register to start the EEPROM programming.

The programming time is about 24 ms, and eeWrite bit is reset to 0 when programming is done.

## 8.4 Device Functional Modes

This section includes the logic required to be able to reliably start and drive the motor. It describes the processes used in the logic core and provides the information needed to effectively configure the parameters to work over a wide range of applications.

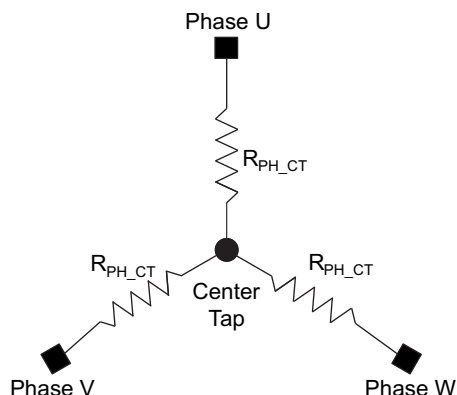
### 8.4.1 Motor Parameters

For the motor parameter measurement, see the [DRV10983 and DRV10975 Tuning Guide](#).

The motor phase resistance and the BEMF constant (Kt) are two important parameters used to characterize a BLDC motor. The DRV10983 requires these parameters to be configured in the register. The motor phase resistance is programmed by writing the values for Rm[6:0] in the MotorParam1 register. The BEMF constant is programmed by writing the values for Kt[6:0] in the MotorParam2 register.

#### 8.4.1.1 Motor Phase Resistance

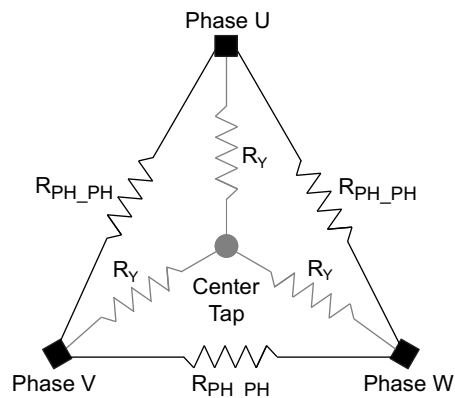
For a wye-connected motor, the motor phase resistance refers to the resistance from the phase output to the center tap,  $R_{PH\_CT}$  (see [Figure 9](#)).

**Device Functional Modes (continued)**

**Figure 9. Wye-Connected Motor Phase Resistance**

For a delta-connected motor, the motor phase resistance refers to the equivalent phase to center tap in the wye configuration, which is represented as  $R_Y$ .  $R_{PH\_CT} = R_Y$  (see [Figure 10](#)).

For both the delta-connected motor and the wye-connected motor, calculating the equivalent  $R_{PH\_CT}$  is easy by measuring the resistance between two phase terminals ( $R_{PH\_PH}$ ), and then dividing this value by two as shown in [Equation 1](#).

$$R_{PH\_CT} = \frac{1}{2}R_{PH\_PH} \quad (1)$$


**Figure 10. Delta-Connected Motor and the Equivalent Wye Connections**

The motor phase resistance ( $R_{PH\_CT}$ ) must be converted to a 7-bit digital register value  $Rm[6:0]$  to program the motor phase resistance value. The digital register value can be determined as follows:

1. Convert the motor phase resistance ( $R_{PH\_CT}$ ) to a digital value where the LSB is weighted to represent 9.67 mΩ:  $Rmdig = R_{PH\_CT} / 0.00967$ .
2. Encode the digital value such that  $Rmdig = Rm[3:0] \ll Rm[6:4]$ .

The maximum resistor value,  $R_{PH\_CT}$ , that can be programmed for the DRV10983 is 18.5 Ω, which represents  $Rmdig = 1920$  and an encoded  $Rm[6:0]$  value of 0x7Fh. The minimum resistor the DRV10983 supports is 0.029 Ω,  $R_{PH\_CT}$ , which represents  $Rmdig = 3$ .



## Device Functional Modes (continued)

For convenience, the encoded value for Rm[6:0] can also be obtained from [Table 2](#).

**Table 2. Motor Phase Resistance Look-Up Table**

| R <sub>PH_CT</sub> (Ω) | RM[6:0]  | HEX | R <sub>PH_CT</sub> (Ω) | RM[6:0]  | HEX | R <sub>PH_CT</sub> (Ω) | RM[6:0]  | HEX |
|------------------------|----------|-----|------------------------|----------|-----|------------------------|----------|-----|
| 0.0000                 | 000 0000 | 00  | 0.309                  | 010 1000 | 28  | 2.47                   | 101 1000 | 58  |
| 0.0097                 | 000 0001 | 01  | 0.348                  | 010 1001 | 29  | 2.78                   | 101 1001 | 59  |
| 0.0193                 | 000 0010 | 02  | 0.387                  | 010 1010 | 2A  | 3.09                   | 101 1010 | 5A  |
| 0.029                  | 000 0011 | 03  | 0.426                  | 010 1011 | 2B  | 3.4                    | 101 1011 | 5B  |
| 0.0387                 | 000 0100 | 04  | 0.464                  | 010 1100 | 2C  | 3.71                   | 101 1100 | 5C  |
| 0.0484                 | 000 0101 | 05  | 0.503                  | 010 1101 | 2D  | 4.02                   | 101 1101 | 5D  |
| 0.058                  | 000 0110 | 06  | 0.542                  | 010 1110 | 2E  | 4.33                   | 101 1110 | 5E  |
| 0.0677                 | 000 0111 | 07  | 0.58                   | 010 1111 | 2F  | 4.64                   | 101 1111 | 5F  |
| 0.0774                 | 000 1000 | 08  | 0.619                  | 011 1000 | 38  | 4.95                   | 110 1000 | 68  |
| 0.087                  | 000 1001 | 09  | 0.696                  | 011 1001 | 39  | 5.57                   | 110 1001 | 69  |
| 0.0967                 | 000 1010 | 0A  | 0.773                  | 011 1010 | 3A  | 6.18                   | 110 1010 | 6A  |
| 0.106                  | 000 1011 | 0B  | 0.851                  | 011 1011 | 3B  | 6.8                    | 110 1011 | 6B  |
| 0.116                  | 000 1100 | 0C  | 0.928                  | 011 1100 | 3C  | 7.42                   | 110 1100 | 6C  |
| 0.126                  | 000 1101 | 0D  | 1                      | 011 1101 | 3D  | 8.04                   | 110 1101 | 6D  |
| 0.135                  | 000 1110 | 0E  | 1.08                   | 011 1110 | 3E  | 8.66                   | 110 1110 | 6E  |
| 0.145                  | 000 1111 | 0F  | 1.16                   | 011 1111 | 3F  | 9.28                   | 110 1111 | 6F  |
| 0.155                  | 001 1000 | 18  | 1.23                   | 100 1000 | 48  | 9.9                    | 111 1000 | 78  |
| 0.174                  | 001 1001 | 19  | 1.39                   | 100 1001 | 49  | 11.1                   | 111 1001 | 79  |
| 0.193                  | 001 1010 | 1A  | 1.54                   | 100 1010 | 4A  | 12.3                   | 111 1010 | 7A  |
| 0.213                  | 001 1011 | 1B  | 1.7                    | 100 1011 | 4B  | 13.6                   | 111 1011 | 7B  |
| 0.232                  | 001 1100 | 1C  | 1.85                   | 100 1100 | 4C  | 14.8                   | 111 1100 | 7C  |
| 0.251                  | 001 1101 | 1D  | 2.01                   | 100 1101 | 4D  | 16                     | 111 1101 | 7D  |
| 0.271                  | 001 1110 | 1E  | 2.16                   | 100 1110 | 4E  | 17.3                   | 111 1110 | 7E  |
| 0.29                   | 001 1111 | 1F  | 2.32                   | 100 1111 | 4F  | 18.5                   | 111 1111 | 7F  |

### 8.4.1.2 BEMF Constant

The BEMF constant, Kt[6:0] describes the motors phase-to-phase BEMF voltage as a function of the motor velocity.

The measured BEMF constant (Kt) needs to be converted to a 7-bit digital register value Kt[6:0] to program the BEMF constant value. The digital register value can be determined as follows:

1. Convert the measured Kt to a weighted digital value:  $K_{t_{ph\_dig}} = 1090 \times Kt$
2. Encode the digital value such that  $K_{t_{ph\_dig}} = Kt[3:0] \ll Kt[4:6]$ .

The maximum Kt that can be programmed is 1760 mV/Hz. This represents a digital value of 1920 and an encoded Kt[6:0] value of 0x7Fh. The minimum Kt that can be programmed is 0.92 mV/Hz, which represents a digital value of 1 and an encoded Kt[6:0] value of 0x01h.

For convenience, the encoded value of Kt[6:0] may also be obtained from [Table 3](#).

**Table 3. BEMF Constant Look-Up Table**

| Kt (mV/Hz) | Kt[6:0]  | HEX | Kt (mV/Hz) | Kt [6:0] | HEX | Kt (mV/Hz) | Kt [6:0] | HEX |
|------------|----------|-----|------------|----------|-----|------------|----------|-----|
| 0          | 000 0000 | 00  | 29.3       | 010 1000 | 28  | 234        | 101 1000 | 58  |
| 0.92       | 000 0001 | 01  | 33         | 010 1001 | 29  | 264        | 101 1001 | 59  |
| 1.83       | 000 0010 | 02  | 36.6       | 010 1010 | 2A  | 293        | 101 1010 | 5A  |
| 2.75       | 000 0011 | 03  | 40.3       | 010 1011 | 2B  | 322        | 101 1011 | 5B  |
| 3.66       | 000 0100 | 04  | 44         | 010 1100 | 2C  | 352        | 101 1100 | 5C  |
| 4.58       | 000 0101 | 05  | 47.7       | 010 1101 | 2D  | 381        | 101 1101 | 5D  |
| 5.5        | 000 0110 | 06  | 51.3       | 010 1110 | 2E  | 411        | 101 1110 | 5E  |
| 6.42       | 000 0111 | 07  | 55         | 010 1111 | 2F  | 440        | 101 1111 | 5F  |
| 7.33       | 000 1000 | 08  | 58.7       | 011 1000 | 38  | 469        | 110 1000 | 68  |
| 8.25       | 000 1001 | 09  | 66         | 011 1001 | 39  | 528        | 110 1001 | 69  |
| 9.17       | 000 1010 | 0A  | 73.3       | 011 1010 | 3A  | 587        | 110 1010 | 6A  |
| 10         | 000 1011 | 0B  | 80.7       | 011 1011 | 3B  | 645        | 110 1011 | 6B  |
| 11         | 000 1100 | 0C  | 88         | 011 1100 | 3C  | 704        | 110 1100 | 6C  |
| 11.9       | 000 1101 | 0D  | 95.4       | 011 1101 | 3D  | 763        | 110 1101 | 6D  |
| 12.8       | 000 1110 | 0E  | 102        | 011 1110 | 3E  | 822        | 110 1110 | 6E  |
| 13.7       | 000 1111 | 0F  | 110        | 011 1111 | 3F  | 880        | 110 1111 | 6F  |
| 14.6       | 001 1000 | 18  | 117        | 100 1000 | 48  | 939        | 111 1000 | 78  |
| 16.5       | 001 1001 | 19  | 132        | 100 1001 | 49  | 1050       | 111 1001 | 79  |
| 18.3       | 001 1010 | 1A  | 146        | 100 1010 | 4A  | 1170       | 111 1010 | 7A  |
| 20.1       | 001 1011 | 1B  | 161        | 100 1011 | 4B  | 1290       | 111 1011 | 7B  |
| 22         | 001 1100 | 1C  | 176        | 100 1100 | 4C  | 1400       | 111 1100 | 7C  |
| 23.8       | 001 1101 | 1D  | 190        | 100 1101 | 4D  | 1520       | 111 1101 | 7D  |
| 25.6       | 001 1110 | 1E  | 205        | 100 1110 | 4E  | 1640       | 111 1110 | 7E  |
| 27.5       | 001 1111 | 1F  | 220        | 100 1111 | 4F  | 1760       | 111 1111 | 7F  |

### 8.4.2 Starting the Motor Under Different Initial Conditions

The motor can be in one of three states when the DRV10983 attempts to begin the start-up process. The motor may be stationary, or spinning in the forward or reverse directions. The DRV10983 includes a number of features to allow for reliable motor start under all of these conditions. [Figure 11](#) shows the motor start-up flow for each of the three initial motor states.

#### 8.4.2.1 Case 1 – Motor Is Stationary

If the motor is stationary, the commutation logic must be initialized to be in phase with the position of the motor. The DRV10983 provides for two options to initialize the commutation logic to the motor position. Initial position detect (IPD) determines the position of the motor based on the deterministic inductance variation, which is often present in BLDC motors. The Align and Go technique forces the motor into alignment by applying a voltage across a particular motor phase to force the motor to rotate in alignment with this phase. The following sections explain how to configure these techniques for use in the designer's system.

#### 8.4.2.2 Case 2 – Motor Is Spinning in the Forward Direction

If the motor is spinning forward with enough velocity, the DRV10983 may be configured to go directly into closed loop. By resynchronizing to the spinning motor, the user achieves the fastest possible start-up time for this initial condition.

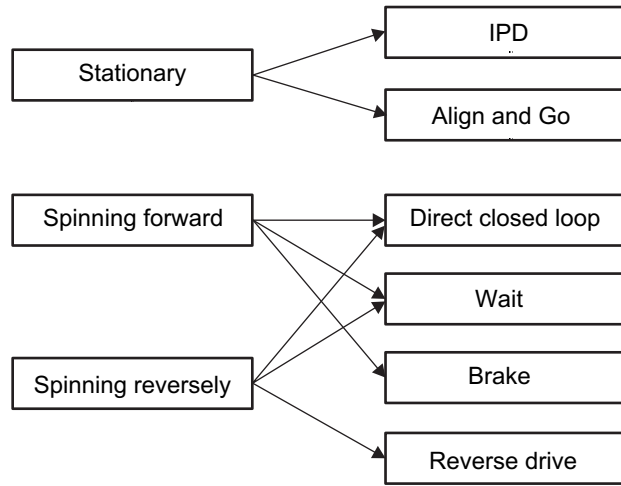
**8.4.2.3 Case 3 – Motor Is Spinning in the Reverse Direction**

If the motor is spinning in the reverse direction, the DRV10983 provides several methods to convert it back to forward direction.

One method, reverse drive, allows the motor to be driven so that it accelerates through zero velocity. The motor achieves the shortest possible spin-up time in systems where the motor is spinning in the reverse direction.

If this feature is not selected, then the DRV10983 may be configured to either wait for the motor to stop spinning or brake the motor. After the motor has stopped spinning, the motor start-up sequence proceeds as it would for a motor which is stationary.

Take care when using the feature reverse drive or brake to ensure that the current is limited to an acceptable level and that the supply voltage does not surge as a result of energy being returned to the power supply.



**Figure 11. Start the Motor Under Different Initial Conditions**

### 8.4.3 Motor Start Sequence

Figure 12 shows the motor start sequence implemented in the DRV10983.

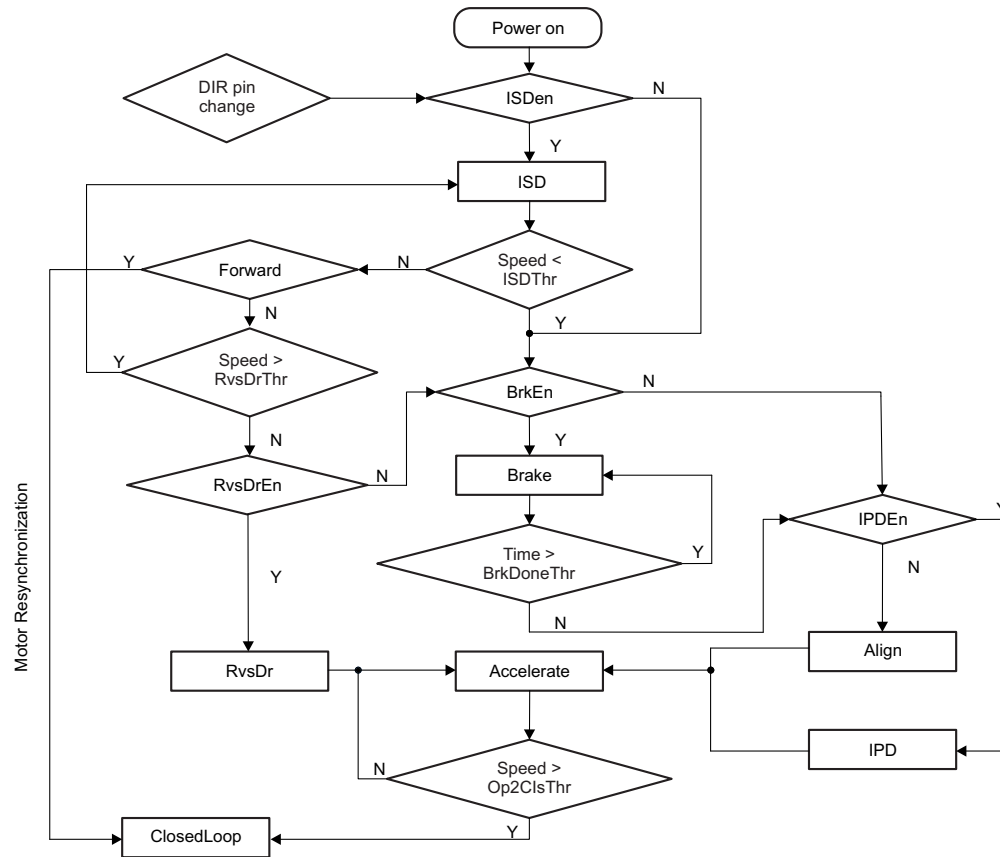


Figure 12. Motor Starting-Up Flow

**Power-On State** This is the initial power-on state of the motor start sequencer (MSS). The MSS starts in this state on initial power-up or whenever the DRV10983 comes out of either standby or sleep modes.

**ISDen Judgment** After power on, the DRV10983 MSS enters the ISDen Judgment where it checks to see if the Initial Speed Detect (ISD) function is enabled (ISDen = 1). If ISD is disabled, the MSS proceeds directly to the BrkEn Judgment. If ISD is enabled, the motor start sequence advances to the ISD state.

**ISD State** The MSS determines the initial condition of the motor (see [ISD](#)).

**Speed<ISDThr Judgment** If the motor speed is lower than the threshold defined by ISDThr[1:0], then the motor is considered to be stationary and the MSS proceeds to the BrkEn judgment. If the speed is greater than the threshold defined by ISDThr[1:0], the start sequence proceeds to the Forward judgment.

**Forward Judgment** The MSS determines whether the motor is spinning in the forward or the reverse direction. If the motor is spinning in the forward direction, the DRV10983 executes the resynchronization (see [Motor Resynchronization](#)) process by transitioning directly into the ClosedLoop state. If the motor is spinning in the reverse direction, the MSS proceeds to the Speed>RvsDrThr.

**Speed>RvsDrThr Judgment** The motor start sequencer checks to see if the reverse speed is greater than the threshold defined by RvsDrThr[2:0]. If it is, then the MSS returns to the ISD state to allow the motor to decelerate. This prevents the DRV10983 from attempting to reverse drive or brake a motor that is spinning too quickly. If the reverse speed of the motor is less than the threshold defined by RvsDrThr[2:0], then the MSS advances to the RvsDrEn judgment.

**RvsDrEn Judgment** The MSS checks to see if the reverse drive function is enabled (RvsDrEn = 1). If it is, the MSS transitions into the RvsDr state. If the reverse drive function is not enabled, the MSS

advances to the BrkEn judgment.

**RvsDr State** The DRV10983 drives the motor in the forward direction to force it to rapidly decelerate (see [Reverse Drive](#)). When it reaches zero velocity, the MSS transitions to the Accelerate state.

**BrkEn Judgment** The MSS checks to determine whether the brake function is enabled ( $\text{BrkDoneThr}[2:0] \neq 000$ ). If the brake function is enabled, the MSS advances to the Brake state.

**Brake State** The device performs the brake function (see [Motor Brake](#)).

**Time>BrkDoneThr Judgment** The MSS applies brake for time configured by  $\text{BRKDoneThr}[2:0]$ . After brake state, the MSS advances to the IPDEn judgment.

**IPDEn Judgment** The MSS checks to see if IPD has been enabled ( $\text{IPDCurrThr}[3:0] \neq 0000$ ). If the IPD is enabled, the MSS transitions to the IPD state. Otherwise, it transitions to the align state.

**Align State** The DRV10983 performs align function (see [Align](#)). After the align completes, the MSS transitions to the Accelerate state.

**IPD State** The DRV10983 performs the IPD function. The IPD function is described in [Initial Position Detect \(IPD\)](#). After the IPD completes, the MSS transitions to the Accelerate state.

**Accelerate State** The DRV10983 accelerates the motor according to the setting  $\text{StAccel}$  and  $\text{StAccel2}$ . After applying the accelerate settings, the MSS advances to the Speed >  $\text{Op2ClsThr}$  judgment.

**Speed>Op2ClsThr Judgment** The motor accelerates until the drive rate exceeds the threshold configured by the  $\text{Op2ClsThr}[4:0]$  settings. When this threshold is reached, the DRV10983 enters into the ClosedLoop state.

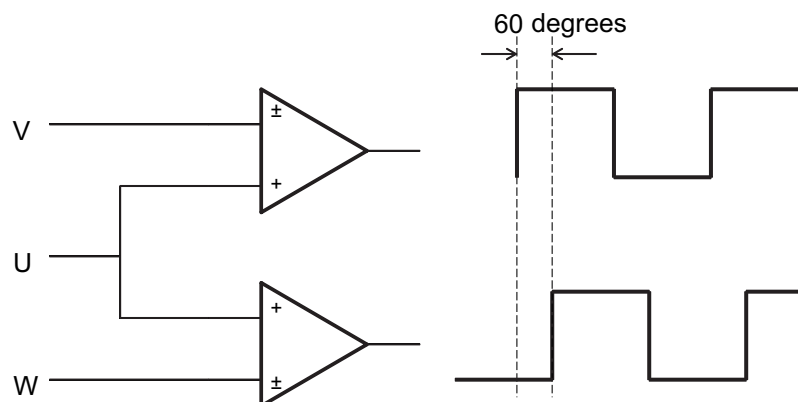
**ClosedLoop State** In this state, the DRV10983 drives the motor based on feedback from the commutation control algorithm.

**DIR Pin Change Judgment** If DIR pin get changed during any of above states, DRV10983 stops driving the motor and restarts from the beginning.

#### 8.4.3.1 ISD

The ISD function is used to identify the initial condition of the motor. If the function is disabled, the DRV10983 does not perform the initial speed detect function and treats the motor as if it is stationary.

Phase-to-phase comparators are used to detect the zero crossings of the BEMF voltage of the motor while it is coasting (motor phase outputs are in high-impedance state). [Figure 13](#) shows the configuration of the comparators.



**Figure 13. Initial Speed Detect Function**

If the UW comparator output is lagging the UV comparator by 60°, the motor is spinning forward. If the UW comparator output is leading the UV comparator by 60°, the motor is spinning in reverse.

The motor speed is determined by measuring the time between two rising edges of either of the comparators.

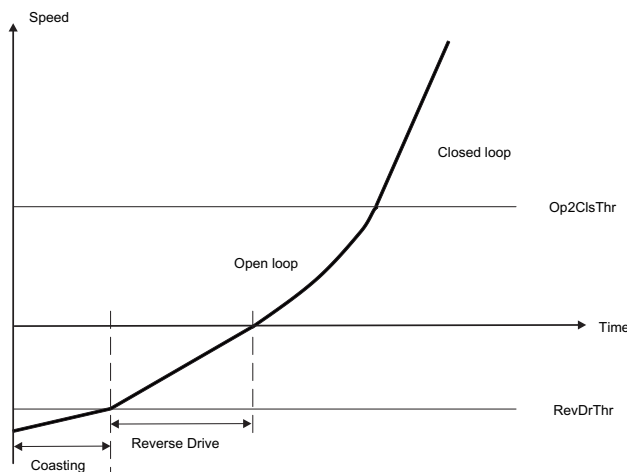
If neither of the comparator outputs toggle for a given amount of time, the condition is defined as stationary. The amount of time can be programmed by setting the register bits ISDThr[1:0].

### 8.4.3.2 Motor Resynchronization

The resynchronize function works when the ISD function is enabled and determines that the initial state of the motor is spinning in the forward direction. The speed and position information measured during ISD are used to initialize the drive state of the DRV10983, which can transition directly into the closed loop running state without needing to stop the motor.

### 8.4.3.3 Reverse Drive

The ISD function measures the initial speed and the initial position; the DRV10983 reverse drive function acts to reverse accelerate the motor through zero speed and to continue accelerating until the closed loop threshold is reached (see Figure 14). If the reverse speed is greater than the threshold configured in RvsDrThr[1:0], then the DRV10983 waits until the motor coasts to a speed that is less than the threshold before driving the motor to reverse accelerate.



**Figure 14. Reverse Drive Function**

Reverse drive is suitable for applications where the load condition is light at low speed and relatively constant and where the reverse speed is low (that is, a fan motor with little friction). For other load conditions, the motor brake function provides a method for helping force a motor which is spinning in the reverse direction to stop spinning before a normal start-up sequence.

### 8.4.3.4 Motor Brake

The motor brake function can be used to stop the spinning motor before attempting to start the motor. The brake is applied by turning on all three of the low-side driver FETs.

Brake is enabled by configuring non zero value for BrkDoneThr[2:0]. Braking is applied for time configured by BrkDoneThr[2:0] (reverse or forward). After the motor is stopped, the motor position is unknown. To proceed with restarting in the correct direction, the IPD or Align and Go algorithm needs to be implemented. The motor start sequence is the same as it would be for a motor starting in the stationary condition.

The motor brake function can be disabled. The motor skips the brake state and attempts to spin the motor as if it were stationary. If this happens while the motor is spinning in either direction, the start-up sequence may not be successful.

### 8.4.3.5 Motor Initialization

#### 8.4.3.5.1 Align

The DRV10983 aligns a motor by injecting dc current through a particular phase pattern which is current flowing into phase V, flowing out from phase W for a certain time (configured by AlignTime[2:0]). The current magnitude is determined by OpenLCurr[1:0]. The motor should be aligned at the known position.

The time of align affects the start-up timing (see [Start-Up Timing](#)). A bigger inertial motor requires longer align time.

#### 8.4.3.5.2 Initial Position Detect (IPD)

The inductive sense method is used to determine the initial position of the motor when IPD is enabled. IPD is enabled by selecting IPDCurrThr[3:0] to any value other than 0000.

IPD can be used in applications where reverse rotation of the motor is unacceptable. Because IPD does not need to wait for the motor to align with the commutation, it can allow for a faster motor start sequence. IPD works well when the inductance of the motor varies as a function of position. Because it works by pulsing current to the motor, it can generate acoustics which must be taken into account when determining the best start method for a particular application.

##### 8.4.3.5.2.1 IPD Operation

The IPD operates by sequentially applying voltage across two of the three motor phases according to the following sequence: VW WV UV VU WU UW (see [Figure 15](#)). When the current reaches the threshold configured in IPDCurrThr[3:0], the voltage across the motor is stopped. The DRV10983 measures the time it takes from when the voltage is applied until the current threshold is reached. The time varies as a function of the inductance in the motor windings. The state with the shortest time represents the state with the minimum inductance. The minimum inductance is because of the alignment of the north pole of the motor with this particular driving state.

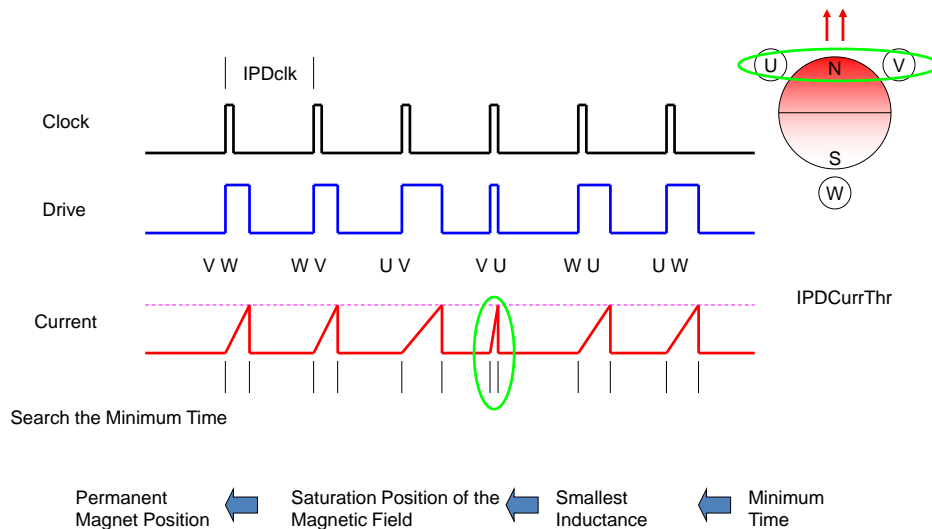


Figure 15. IPD Function

##### 8.4.3.5.2.2 IPD Release Mode

Two options are available for stopping the voltage applied to the motor when the current threshold is reached. If IPDRIsMd = 0, the recirculate mode is selected. The low-side (S6) MOSFET remains on to allow the current to recirculate between the MOSFET (S6) and body diode (S2) (see [Figure 16](#)). If IPDRIsMd = 1, the high-impedance (Hi-Z) mode is selected. Both the high-side (S1) and low-side (S6) MOSFETs are turned off and the current flies back across the body diodes into the power supply (see [Figure 17](#)).

The high-impedance mode has a faster settle-down time, but could result in a surge on  $V_{CC}$ . Manage this with appropriate selection of either a clamp circuit or by providing sufficient capacitance between  $V_{CC}$  and GND. If the voltage surge cannot be contained and if it is unacceptable for the application, then select the recirculate mode. When selecting the recirculate mode, select the IPDClk[1:0] bits to give the current in the motor windings enough time to decay to 0.

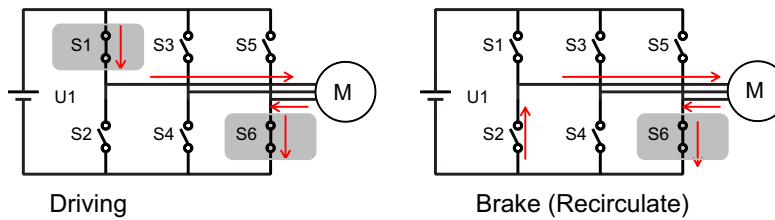


Figure 16. IPD Release Mode 0

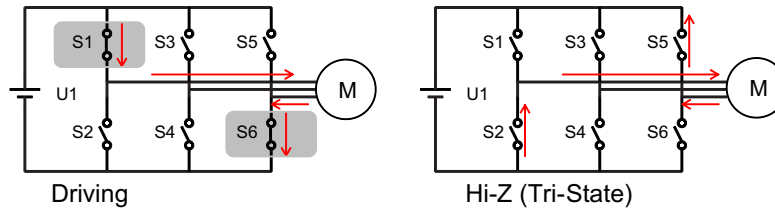


Figure 17. IPD Release Mode 1

#### 8.4.3.5.2.3 IPD Advance Angle

After the initial position is detected, the DRV10983 begins driving the motor at an angle specified by IPDAdvcAgI[1:0].

Advancing the drive angle anywhere from 0° to 180° results in positive torque. Advancing the drive angle by 90° results in maximum initial torque. Applying maximum initial torque could result in uneven acceleration to the rotor. Select the IPDAdvcAgI[1:0] to allow for smooth acceleration in the application (see Figure 18).

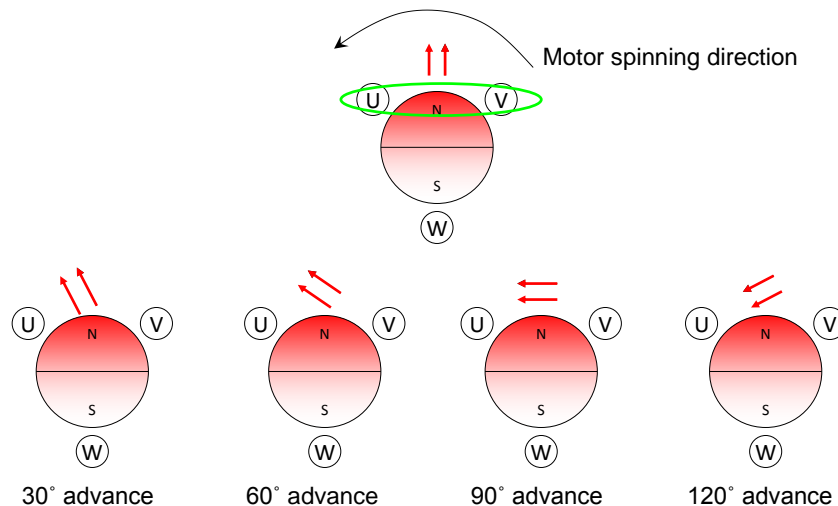


Figure 18. IPD Advance Angle

#### 8.4.3.5.3 Motor Start

After it is determined that the motor is stationary and after completing the motor initialization with either align or IPD, the DRV10983 begins to accelerate the motor. This acceleration is accomplished by applying a voltage determined by the open loop current setting (OpenLCurr[1:0]) to the appropriate drive state and by increasing the rate of commutation without regard to the real position of the motor (referred to as open loop operation). The function of the open loop operation is to drive the motor to a minimum speed so that the motor generates sufficient BEMF to allow the commutation control logic to accurately drive the motor.

Table 4 lists the configuration options that can be set in register to optimize the initial motor acceleration stage for different applications.

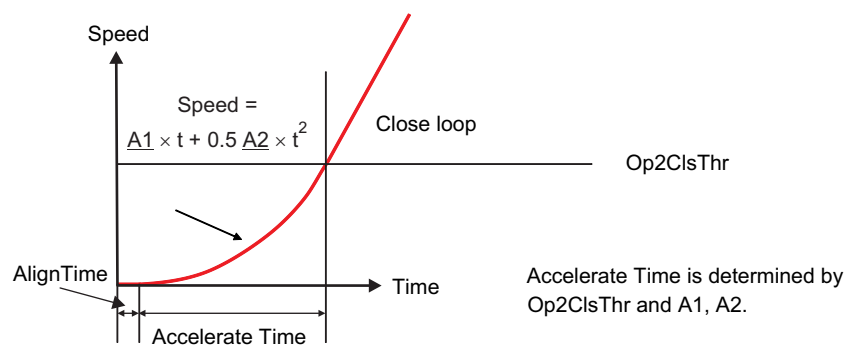


**Table 4. Configuration Options for Controlling Open Loop Motor Start**

| Description                   | Reg Name | ConfigBits     | Min Value               | Max Value            |
|-------------------------------|----------|----------------|-------------------------|----------------------|
| Open to closed loop threshold | SysOpt4  | Op2ClsThr[4:0] | 0.8 Hz                  | 204.8 Hz             |
| Align time                    | SysOpt4  | AlignTime[2:0] | 40 ms                   | 5.3 s                |
| First order accelerate        | SysOpt3  | StAccel[2:0]   | 0.3 Hz/s                | 76 Hz/s              |
| Second order accelerate       | SysOpt3  | StAccel2[2:0]  | 0.22 Hz/s <sup>2</sup>  | 57 Hz/s <sup>2</sup> |
| Open loop current setting     | SysOpt2  | OpenLCurr[1:0] | 200 mA                  | 1.6 A                |
| Open loop current ramping     | SysOpt2  | OpLCurrRt[2:0] | 0.23 V <sub>CC</sub> /s | 6 V <sub>CC</sub> /s |

#### 8.4.3.6 Start-Up Timing

Start-up timing is determined by the align and accelerate time. The align time can be set by AlignTime[2:0], as described in [Register Definition](#). The accelerate time is defined by the open-to-closed loop threshold Op2ClsThr[4:0] along with the first order StAccel[2:0](A1) and second order StAccel2[2:0](A2) acceleration coefficient. [Figure 19](#) shows the motor start-up process.



**Figure 19. Motor Start-Up Process**

Select the first order and second order acceleration coefficient to allow the motor to reliably accelerate from zero velocity up to the closed loop threshold in the shortest time possible. Using a slow acceleration coefficient during the first order accelerate stage can help improve reliability in applications where it is difficult to accurately initialize the motor with either align or IPD.

Select the open-to-closed loop threshold to allow the motor to accelerate to a speed that generates sufficient BEMF for closed loop control. This is determined by the velocity constant of the motor based on the relationship described in [Equation 2](#).

$$\text{BEMF} = K_t \times \text{speed (Hz)} \quad (2)$$

#### 8.4.4 Start-Up Current Setting

The start-up current setting is to control the peak start-up during open loop. During open loop operation, it is desirable to control the magnitude of drive current applied to the motor. This is helpful in controlling and optimizing the rate of acceleration. The limit takes effect during reverse drive, align, and acceleration.

The start current is set by programming the OpenLCurr[1:0] bits. The current should be selected to allow the motor to reliably accelerate to the handoff threshold. Heavier loads may require a higher current setting, but it should be noted that the rate of acceleration will be limited by the acceleration rate (StAccel[2:0], StAccel2[2:0]). If the motor is started with more current than necessary to reliably reach the handoff threshold, it results in higher power consumption.

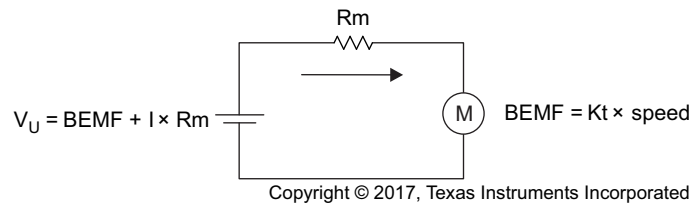
The start current is controlled based on the relationship shown in [Equation 3](#) and [Figure 20](#). The duty cycle applied to the motor is derived from the calculated value for U<sub>Limit</sub> and the magnitude of the supply voltage, V<sub>CC</sub>, as well as the drive state of the motor.

$$U_{\text{Limit}} = I_{\text{Limit}} \times R_m + \text{Speed (Hz)} \times K_t$$

where

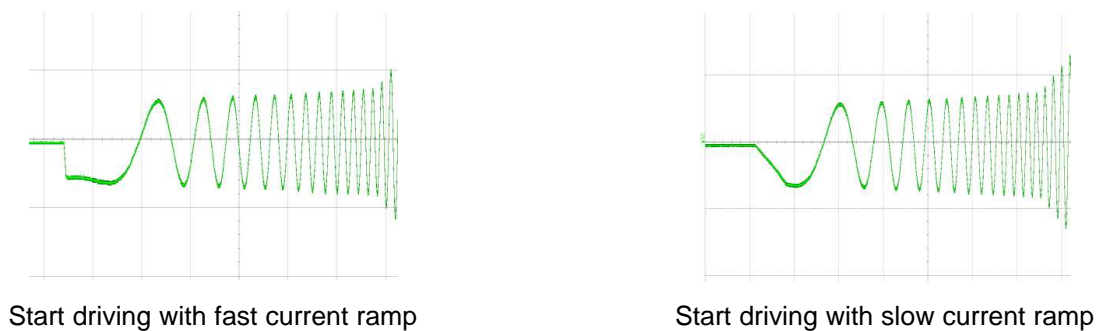
- I<sub>Limit</sub> is configured by OpenLCurr[1:0]

- Rm is configured by Rm[6:0]
  - Speed is variable based open-loop acceleration profile of the motor
  - Kt is configured by Kt[6:0]
- (3)


**Figure 20. Motor Start-Up Current**

#### 8.4.4.1 Start-Up Current Ramp-Up

A fast change in the applied drive current may result in a sudden change in the driving torque. In some applications, this could result in acoustic noise. To avoid this, the DRV10983 allows the option of limiting the rate at which the current is applied to the motor. OpLCurrRt[2:0] sets the maximum voltage ramp up rate that will be applied to the motor. The waveforms in [Figure 21](#) show how this feature can be used to gradually ramp the current applied to the motor.


**Figure 21. Motor Startup Current Ramp**

#### 8.4.5 Closed Loop

In closed loop operation, the DRV10983 continuously samples the current in the U phase of the motor and uses this information to estimate the BEMF voltage that is present. The drive state of the motor is controlled based on the estimated BEMF voltage.

##### 8.4.5.1 Half Cycle Control and Full Cycle Control

The estimated BEMF used to control the drive state of the motor has two zero-crosses every electrical cycle. The DRV10983 can be configured to update the drive state either once every electrical cycle or twice for every electrical cycle. When AdjMode is programmed to 1, half cycle adjustment is applied. The control logic is triggered at both rising edge and falling edge. When AdjMode is programmed to 0, full cycle adjustment is applied. The control logic is triggered only at the rising edge (see [Figure 22](#)).

Half cycle adjustment provides a faster response when compared with full cycle adjustment. Use half cycle adjustment whenever the application requires operation over large dynamic loading conditions. Use the full cycle adjustment for low current (<1 A) applications because it offers more tolerance for current measurement offset errors.

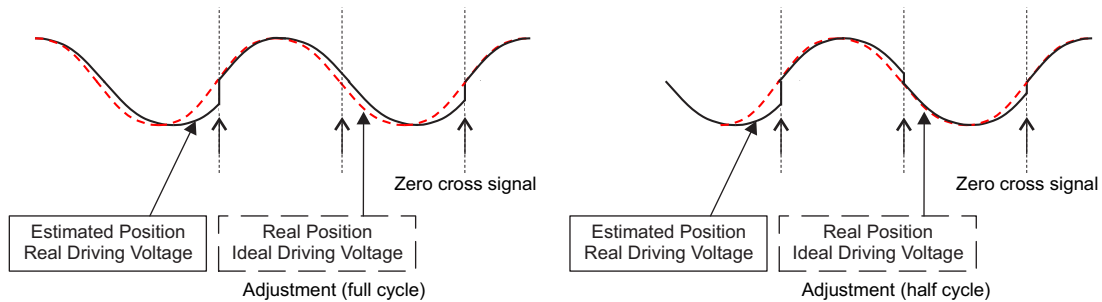


Figure 22. Closed Loop Control Commutation Adjustment Mode

#### 8.4.5.2 Analog Mode Speed Control

The SPEED input pin can be configured to operate as an analog input (SpdCtrlMd = 0).

When configured for analog mode, the voltage range on the SPEED pin can be varied from 0 to V3P3. If  $SPEED > V_{ANA\_FS}$ , the speed command is maximum. If  $V_{ANA\_ZS} \leq SPEED < V_{ANA\_FS}$  the speed command changes linearly according to the magnitude of the voltage applied at the SPEED pin. If  $SPEED < V_{ANA\_ZS}$  the speed command is to stop the motor. Figure 23 shows the speed command when operating in analog mode.

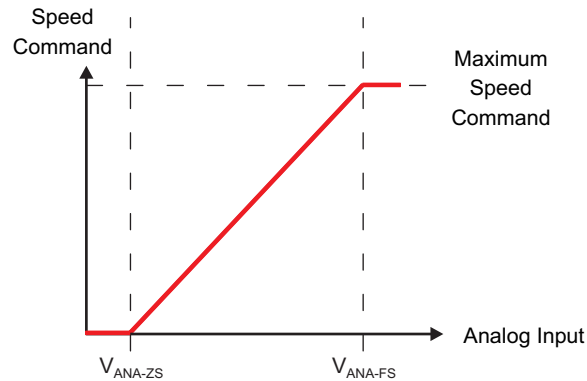
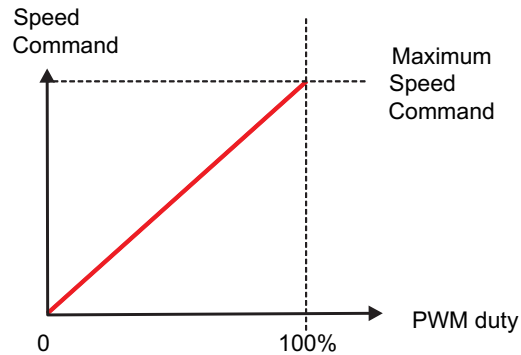


Figure 23. Analog Mode Speed Command

#### 8.4.5.3 Digital PWM Input Mode Speed Control

If SpdCtrlMd = 1, the SPEED input pin is configured to operate as a PWM-encoded digital input. The PWM duty cycle applied to the SPEED pin can be varied from 0 to 100%. The speed command is proportional to the PWM input duty cycle. The speed command will be stopping the motor when the PWM input keeps at 0 for  $t_{EN\_SL\_SB}$  (see Figure 24).

The frequency of the PWM input signal applied to the SPEED pin is defined as  $f_{PWM}$ . This is the frequency the device can accept to control motor speed. It does not correspond to the PWM output frequency that is applied to the motor phase. The PWM output frequency can be configured to be either 25 kHz when the DoubleFreq bit is set to 0 or to 50 kHz when DoubleFreq bit is set to 1.



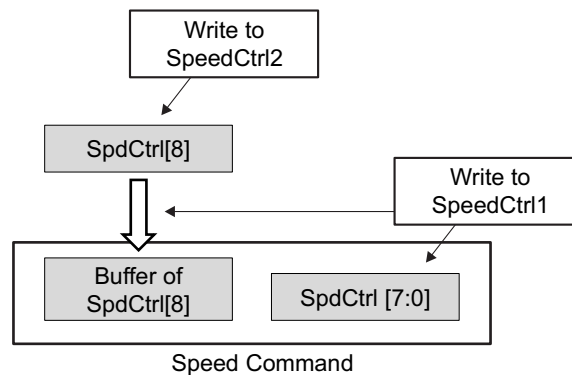
**Figure 24. PWM Mode Speed Command**

#### 8.4.5.4 I<sup>2</sup>C Mode Speed Control

The DRV10983 can also command the speed through the I<sup>2</sup>C serial interface. To enable this feature, the OverRide bit is set to 1. When the DRV10983 is configured to operate in I<sup>2</sup>C mode, it ignores the signal applied to the SPEED pin.

The speed command can be set by writing the SpdCtrl[8] and SpdCtrl[7:0] bits. The 9-bit SpdCtrl [8:0] located in the SpeedCtrl1 and SpeedCtrl2 registers are used to set the peak amplitude voltage applied to the motor. The maximum speed command is set when SpdCtrl [8:0] is set to 0x1FF (511).

When SpdCtrl [8] is written to the SpeedCtrl2 register, the data is stored, but the output is not changed. When SpdCtrl [7:0] is written to the SpeedCtrl1 register, the speed command is updated (see [Figure 25](#)).



**Figure 25. I<sup>2</sup>C Mode Speed Control**

#### 8.4.5.5 Closed Loop Accelerate

To prevent sudden changes in the torque applied to the motor which could result in acoustic noise, the DRV10983 provides the option of limiting the maximum rate at which the speed command changes. ClsLpAccel[2:0] can be programmed to set the maximum rate at which the speed command changes (shown in [Figure 26](#)).

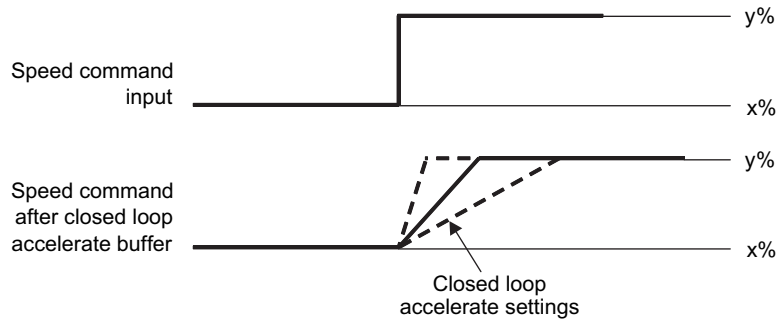


Figure 26. Closed-Loop Accelerate

#### 8.4.5.6 Control Coefficient

The DRV10983 continuously measures the motor current and uses this information to control the drive state of the motor when operating in closed loop mode. In applications where noise makes it difficult to control the commutation optimally, the CtrlCoef[1:0] can be used to attenuate the feedback used for closed loop control. The loop will be less reactive to the noise on the feedback and provide for a smoother output.

#### 8.4.5.7 Commutation Control Advance Angle

To achieve the best efficiency, it is often desirable to control the drive state of the motor so that the phase current of the motor is aligned with the BEMF voltage of the motor.

To align the phase current of the motor with the BEMF voltage of the motor, consider the inductive effect of the motor. The voltage applied to the motor should be applied in advance of the BEMF voltage of the motor (see Figure 27). The DRV10983 provides configuration bits for controlling the time ( $t_{adv}$ ) between the driving voltage and BEMF.

For motors with salient pole structures, aligning the motor BEMF voltage with the motor current may not achieve the best efficiency. In these applications, the timing advance should be adjusted accordingly. Accomplish this by operating the system at constant speed and load conditions and by adjusting the  $t_{adv}$  until the minimum current is achieved.

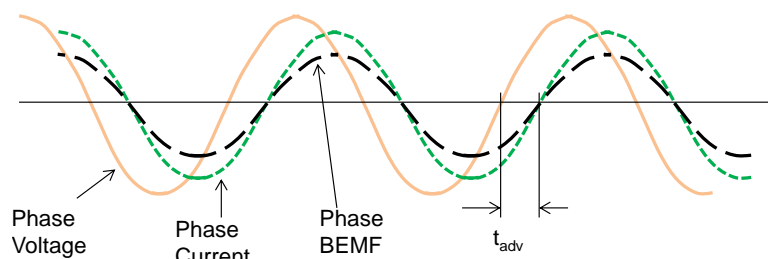


Figure 27. Advance Time ( $t_{adv}$ ) Definition

The DRV10983 has two options for adjusting the motor commutate advance time. When CtrlAdvMd = 0, mode 0 is selected. When CtrlAdvMd = 1, mode 1 is selected.

Mode 0:  $t_{adv}$  is maintained to be a fixed time relative to the estimated BEMF zero cross as determined by Equation 4.

$$t_{adv} = t_{SETTING} \quad (4)$$

Mode 1:  $t_{adv}$  is maintained to be a variable time relative to the estimated BEMF zero cross as determined by Equation 5.

$$t_{adv} = t_{SETTING} \times (U - BEMF) / U.$$

where

- U is the phase voltage amplitude
- BEMF is phase BEMF amplitude

$t_{\text{SETTING}}$  (in  $\mu\text{s}$ ) is determined by the configuration of the TCtrlAdv [6:4] and TCtrlAdv [3:0] bits as defined in Equation 6. For convenience, the available  $t_{\text{SETTING}}$  values are provided in Table 5.

$$t_{\text{SETTING}} = 2.5 \mu\text{s} \times [\text{TCtrlAdv}[3:0]] \ll \text{TCtrlAdv}[6:4] \quad (6)$$

**Table 5. Configuring Commutation Advance Timing by Adjusting  $t_{\text{SETTING}}$** 

| $t_{\text{SETTING}}$ ( $\mu\text{s}$ ) | TCtrlAdv [6:0] | HEX | $t_{\text{SETTING}}$ ( $\mu\text{s}$ ) | TCtrlAdv [6:0] | HEX | $t_{\text{SETTING}}$ ( $\mu\text{s}$ ) | TCtrlAdv [6:0] | HEX |
|--|----------------|-----|--|----------------|-----|--|----------------|-----|
| 0                                      | 000 0000       | 00  | 80                                     | 010 1000       | 28  | 640                                    | 101 1000       | 58  |
| 2.5                                    | 000 0001       | 01  | 90                                     | 010 1001       | 29  | 720                                    | 101 1001       | 59  |
| 5                                      | 000 0010       | 02  | 100                                    | 010 1010       | 2A  | 800                                    | 101 1010       | 5A  |
| 7.5                                    | 000 0011       | 03  | 110                                    | 010 1011       | 2B  | 880                                    | 101 1011       | 5B  |
| 10                                     | 000 0100       | 04  | 120                                    | 010 1100       | 2C  | 960                                    | 101 1100       | 5C  |
| 12.5                                   | 000 0101       | 05  | 130                                    | 010 1101       | 2D  | 1040                                   | 101 1101       | 5D  |
| 15                                     | 000 0110       | 06  | 140                                    | 010 1110       | 2E  | 1120                                   | 101 1110       | 5E  |
| 17.5                                   | 000 0111       | 07  | 150                                    | 010 1111       | 2F  | 1200                                   | 101 1111       | 5F  |
| 20                                     | 000 1000       | 08  | 160                                    | 011 1000       | 38  | 1280                                   | 110 1000       | 68  |
| 22.5                                   | 000 1001       | 09  | 180                                    | 011 1001       | 39  | 1440                                   | 110 1001       | 69  |
| 25                                     | 000 1010       | 0A  | 200                                    | 011 1010       | 3A  | 1600                                   | 110 1010       | 6A  |
| 27.5                                   | 000 1011       | 0B  | 220                                    | 011 1011       | 3B  | 1760                                   | 110 1011       | 6B  |
| 30                                     | 000 1100       | 0C  | 240                                    | 011 1100       | 3C  | 1920                                   | 110 1100       | 6C  |
| 32.5                                   | 000 1101       | 0D  | 260                                    | 011 1101       | 3D  | 2080                                   | 110 1101       | 6D  |
| 35                                     | 000 1110       | 0E  | 280                                    | 011 1110       | 3E  | 2240                                   | 110 1110       | 6E  |
| 37.5                                   | 000 1111       | 0F  | 300                                    | 011 1111       | 3F  | 2400                                   | 110 1111       | 6F  |
| 40                                     | 001 1000       | 18  | 320                                    | 100 1000       | 48  | 2560                                   | 111 1000       | 78  |
| 45                                     | 001 1001       | 19  | 360                                    | 100 1001       | 49  | 2880                                   | 111 1001       | 79  |
| 50                                     | 001 1010       | 1A  | 400                                    | 100 1010       | 4A  | 3200                                   | 111 1010       | 7A  |
| 55                                     | 001 1011       | 1B  | 440                                    | 100 1011       | 4B  | 3520                                   | 111 1011       | 7B  |
| 60                                     | 001 1100       | 1C  | 480                                    | 100 1100       | 4C  | 3840                                   | 111 1100       | 7C  |
| 65                                     | 001 1101       | 1D  | 520                                    | 100 1101       | 4D  | 4160                                   | 111 1101       | 7D  |
| 70                                     | 001 1110       | 1E  | 560                                    | 100 1110       | 4E  | 4480                                   | 111 1110       | 7E  |
| 75                                     | 001 1111       | 1F  | 600                                    | 100 1111       | 4F  | 4800                                   | 111 1111       | 7F  |

#### 8.4.6 Current Limit

The DRV10983 has several current limit modes to help ensure optimal control of the motor and to ensure safe operation. The various current limit modes are listed in Table 6. Acceleration current limit is used to provide a means of controlling the amount of current delivered to the motor. This is useful when the system needs to limit the amount of current pulled from the power supply during motor start-up. The lock detection current limit is a configurable threshold that can be used to limit the current applied to the motor. Overcurrent protection is used to protect the device; therefore, it cannot be disabled or configured to a different threshold. The current limit modes are described in the following sections.

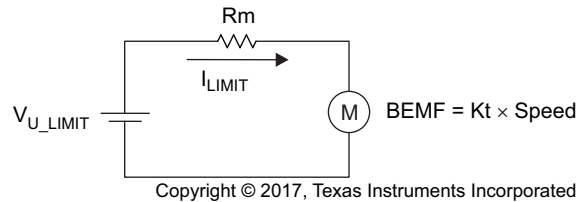
**Table 6. DRV10983 Current Limit Modes**

| Current Limit Mode           | Situation      | Action  | Fault Diagnose            |
|------------------------------|----------------|---|---------------------------|
| Acceleration current limit   | Motor start    | Limit the output voltage amplitude                  | No fault                  |
| Lock detection current limit | Motor locked   | Stop driving the motor and enter lock state         | Mechanical rotation error |
| Overcurrent protection (OCP) | Phase to phase | Stop driving and recover when OC signal disappeared | Circuit connection        |

### 8.4.6.1 Acceleration Current Limit

The acceleration current limit limits the voltage applied to the motor to prevent the current from exceeding the programmed threshold. The acceleration current limit threshold is configured by writing the SWiLimitThr[3:0] bits to select  $I_{LIMIT}$ . The acceleration current limit does not use a direct measurement of current. It uses the programmed motor phase resistance,  $R_{PH\_CT}$ , and programmed BEMF constant,  $K_t$ , to limit the voltage applied to the motor,  $U$ , as shown in [Figure 28](#) and [Equation 7](#).

When the acceleration current limit is active, it does not stop the motor from spinning nor does it trigger a fault. The acceleration current limit function is only available in closed loop control.



**Figure 28. Acceleration Current Limit**

$$U_{LIMIT} = I_{LIMIT} \times R_{PH\_CT} + \text{Speed} \times K_t \quad (7)$$

### 8.4.7 Lock Detect and Fault Handling

The DRV10983 provides several options for determining if the motor becomes locked as a result of some external torque. Five lock detect schemes work together to ensure the lock condition is detected quickly and reliably. [Figure 29](#) shows the logic which integrates the various lock detect schemes. When a lock condition is detected, the DRV10983 device takes action to prevent continuously driving the motor in order to prevent damage to the system or the motor.

In addition to detecting if there is a locked motor condition, the DRV10983 also identifies and takes action if there is no motor connected to the system.

Each of the five lock-detect schemes and the no motor detection can be disabled by respective register bits LockEn[5:0].

When a lock condition is detected, the MtrLck in the Status register is set. The FaultCode register provides an indication of which of the six different conditions was detected on Lock5 to Lock0. These bits are reset when the motor restarts. The bits in the FaultCode register are set even if the lock detect scheme is disabled.

The DRV10983 reacts to either locked rotor or no motor connected conditions by putting the output drivers into a high-impedance state. To prevent the energy in the motor from pumping the supply voltage, the DRV10983 incorporates an anti-voltage-surge (AVS) process whenever the output stages transition into the high-impedance state. The AVS function is described in [AVS Function](#). After entering the high-impedance state as a result of a fault condition, the system tries to restart after  $t_{LOCK\_OFF}$ .

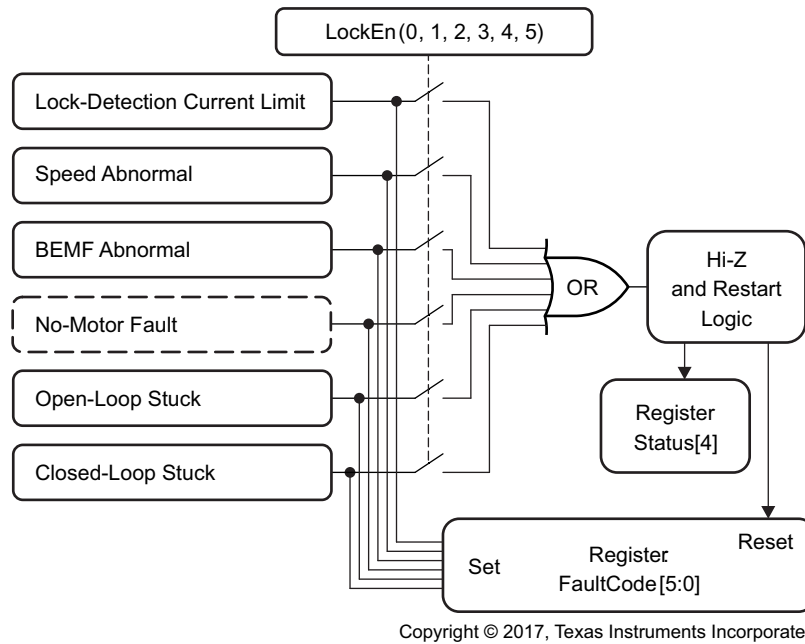


Figure 29. Lock Detect and Fault Diagnose

**8.4.7.1 Lock0: Lock Detection Current Limit Triggered**

The lock detection current limit function provides a configurable threshold for limiting the current to prevent damage to the system. This is often tripped in the event of a sudden locked rotor condition. The DRV10983 continuously monitors the current in the low-side drivers as shown in Figure 30. If the current goes higher than the threshold configured by the HWiLimitThr[2:0] bits, then the DRV10983 stops driving the motor by placing the output phases into a high-impedance state. The MtrLck bit is set and a lock condition is reported. It retries after  $t_{LOCK\_OFF}$ .

Set the lock detection current limit to a higher value than the acceleration current limit.

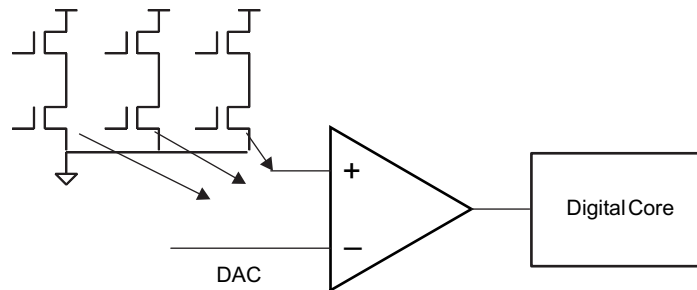


Figure 30. Lock Detection Current Limit

**8.4.7.2 Lock1: Abnormal Speed**

If motor is operating normally, the motor BEMF should always be less than output amplitude. The DRV10983 uses two methods of monitoring the BEMF in the system. The U phase current is monitored to maintain an estimate of BEMF based on the setting for Rm[6:0]. In addition, the BEMF is estimated based on the operation speed of the motor and the setting for Kt[6:0]. Figure 31 shows the method for using this information to detect a lock condition. If motor BEMF is much higher than output amplitude for a certain period of time,  $t_{LCK\_ETR}$ , it means the estimated speed is wrong, and the motor has gotten out of phase.



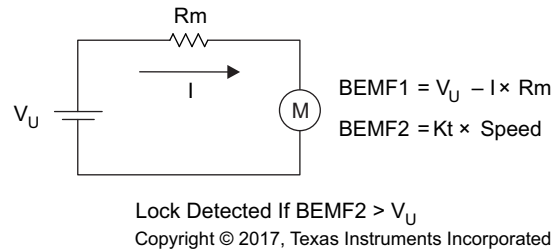


Figure 31. Lock Detection 1

#### 8.4.7.3 Lock2: Abnormal $K_t$

For any given motor, the integrated value of BEMF during half of an electrical cycle is constant. It is determined by BEMF constant ( $K_t$ ) (see Figure 32). It is true regardless of whether the motor is running fast or slow. This constant value is continuously monitored by calculation and used as criteria to determine the motor lock condition. It is referred to as  $K_{tc}$ .

Based on the  $K_t$  value programmed, create a range from  $K_{t\_low}$  to  $K_{t\_high}$ , if the  $K_{tc}$  goes beyond the range for a certain period of time,  $t_{LCK\_ETR}$ , lock is detected.  $K_{t\_low}$  and  $K_{t\_high}$  are determined by  $K_{tLckThr}[1:0]$  (see Figure 33).

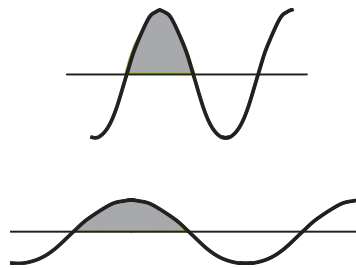


Figure 32. BEMF Integration

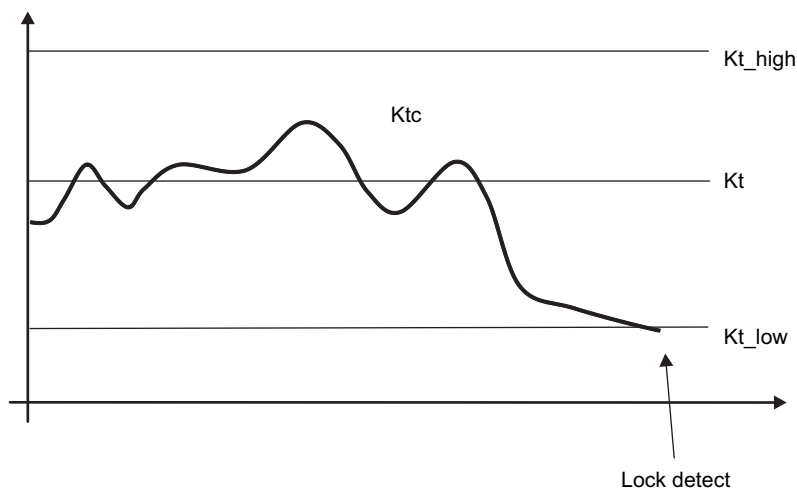
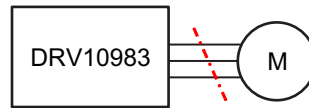


Figure 33. Abnormal  $K_t$  Lock Detect

#### 8.4.7.4 Lock3 (Fault3): No Motor Fault

The phase U current is checked after transitioning from open loop to closed loop. If phase U current is not greater than 140 mA then the motor is not connected as shown in Figure 34. This condition is treated and reported as a fault.


**Figure 34. No Motor Error**

#### 8.4.7.5 Lock4: Open Loop Motor Stuck Lock

Lock4 is used to detect locked motor conditions while the motor start sequence is in open loop.

For a successful startup, motor speed should equal to open to closed loop handoff threshold when the motor is transitioning into closed loop. However, if the motor is locked, the motor speed is not able to match the open loop drive rate.

If the motor BEMF is not detected for one electrical cycle after the open loop drive rate exceeds the threshold, then the open loop was unsuccessful as a result of a locked rotor condition.

#### 8.4.7.6 Lock5: Closed Loop Motor Stuck Lock

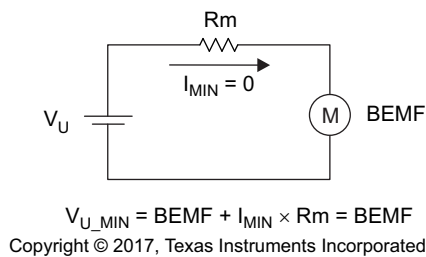
If the motor suddenly becomes locked, motor speed and Ktc are not able to be refreshed because motor BEMF zero cross may not appear after the lock. In this condition, lock can also be detected by the following scheme: if the current commutation period is 2x longer than the previous period.

### 8.4.8 AVS Function

When a motor is driven, energy is transferred from the power supply into it. Some of this energy is stored in the form of inductive energy or as mechanical energy. The DRV10983 includes circuits to prevent this energy from being returned to the power supply which could result in pumping up the  $V_{CC}$  voltage. This function is referred to as the AVS and acts to protect the DRV10983 as well as other circuits that share the same  $V_{CC}$  connection. Two forms of AVS protection are used to prevent both the mechanical energy or the inductive energy from being returned to the supply. Each of these modes can be independently disabled through the register configuration bits AVSMEn and AVSIndEn.

#### 8.4.8.1 Mechanical AVS Function

If the speed command suddenly drops such that the BEMF voltage generated by the motor is greater than the voltage that is applied to the motor, then the mechanical energy of the motor is returned to the power supply and the  $V_{CC}$  voltage surges. The mechanical AVS function works to prevent this from happening. The DRV10983 buffers the speed command value and limits the resulting output voltage,  $U_{MIN}$ , so that it is not less than the BEMF voltage of the motor. The BEMF voltage in the mechanical AVS function is determined using the programmed value for the Kt of the motor (Kt[6:0]) along with the speed. [Figure 35](#) shows the criteria used by the mechanical AVS function.


**Figure 35. Mechanical AVS**

The mechanical AVS function can operate in one of two modes, which can be configured by the register bit AVSMMd:

AVSMMd = 0 – AVS mode is always active to prevent the applied voltage from being less than the BEMF voltage.

AVSMMd = 1 – AVS mode becomes active when  $V_{CC}$  reaches 24 V. The motor acts as a generator and returns energy into the power supply until  $V_{CC}$  reaches 24 V. This mode can be used to enable faster deceleration of the motor in applications where returning energy to the power supply is allowed.

**8.4.9 PWM Output**

The DRV10983 has 16 options for PWM dead time which can be used to configure the time between one of the bridge FETs turning off and the complementary FET turning on. Deadtime[3:0] can be used to configure dead times between 40 ns and 640 ns. Take care that the dead time is long enough to prevent the bridge FETs from shooting through. The recommend minimum dead time is 400 ns for 24-V VCC and 360 ns for 12-V VCC.

The DRV10983 offers two options for PWM switching frequency. When the configuration bit DoubleFreq is set to 0, the output PWM frequency will be 25 kHz and when DoubleFreq is set to 1, the output PWM frequency will be 50 kHz.

**8.4.10 FG Customized Configuration**

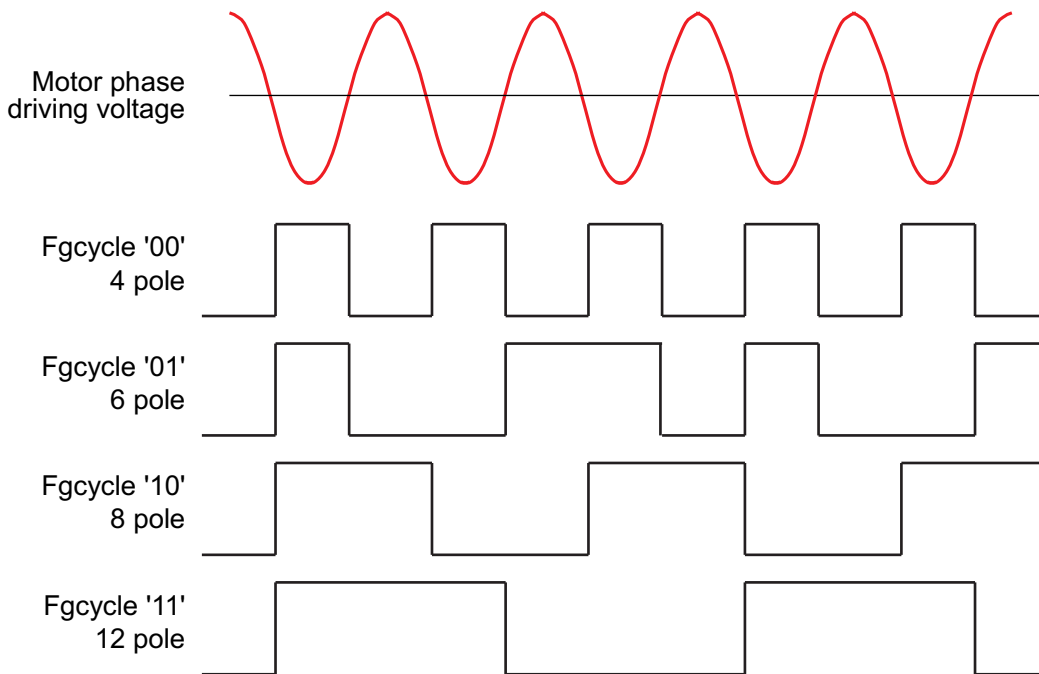
The DRV10983 provides information about the motor speed through the frequency generate (FG) pin. FG also provides information about the driving state of the DRV10983.

**8.4.10.1 FG Output Frequency**

The FG output frequency can be configured by FGcycle[1:0]. The default FG toggles once every electrical cycle (FGcycle = 00). Many applications configure the FG output so that it provides two pulses for every mechanical rotation of the motor. The configuration bits provided in DRV10983 can accomplish this for 4-pole, 6-pole, 8-pole, and 12-pole motors, as shown in [Figure 36](#).

[Figure 36](#) shows the DRV10983 has been configured to provide FG pulses once every electrical cycle (4 pole), twice every three electrical cycle (6 pole), once every two electrical cycles (8 pole), and once every three electrical cycles (12 pole).

Note that when it is set to 2 FG pulses every three electrical cycles, the FG output is not 50% duty cycle. Motor speed is able to be measured by monitoring the rising edge of the FG output.



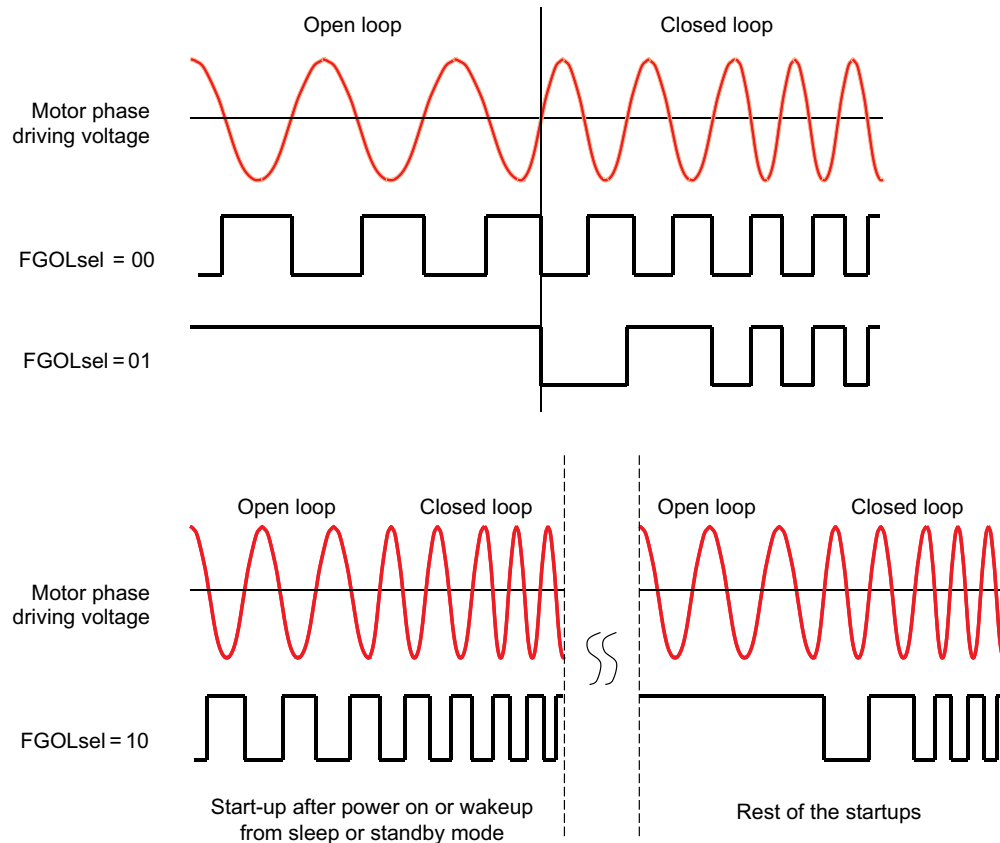
**Figure 36. FG Frequency Divider**

### 8.4.10.2 FG Open-Loop and Lock Behavior

Note that the FG output reflects the driving state of the motor. During normal closed loop behavior, the driving state and the actual state of the motor are synchronized. During open loop acceleration, however, this may not reflect the actual motor speed. During a locked motor condition, the FG output is driven high.

The DRV10983 provides three options for controlling the FG output during open loop as shown in [Figure 37](#). The selection of these options is determined by the FGOLsel[1:0] setting.

- Option0: Open loop output FG based on driving frequency
- Option1: Open loop no FG output (keep high)
- Option2: FG output based on driving frequency at the first power-on start-up, and no FG output (keep high) for any subsequent restarts



**Figure 37. FG Behavior During Open Loop**

### 8.4.11 Diagnostics and Visibility

The DRV10983 offers extensive visibility into the motor system operation conditions stored in internal registers. This information can be monitored through the I<sup>2</sup>C interface. Information can be monitored relating to the device status, motor speed, supply voltage, speed command, motor phase voltage amplitude, fault status, and others. The data is updated on the fly.

#### 8.4.11.1 Motor Status Readback

The motor status register provides information on overtemperature (OverTemp), sleep or standby state (Slp\_Stdby), over current (OverCurr), and locked rotor (MtrLck).

### 8.4.11.2 Motor Speed Readback

The motor operation speed is automatically updated in register MotorSpeed1 and MotorSpeed2 while the motor is spinning. MotorSpeed1 contains the 8 most significant bits and MotorSpeed2 contains the 8 least significant bits. The value is determined by the period for calculated BEMF zero crossings on phase U. The electrical speed of the motor is denoted as *Velocity (Hz)* and is calculated as shown in Equation 8.

$$\text{Velocity (Hz)} = \{\text{MotorSpeed1:MotorSpeed2}\} / 10 \quad (8)$$

As an example consider the following:

MotorSpeed1 = 0x01;

MotorSpeed2 = 0xFF;

Velocity = 512 (0x01FF) / 10 = 51 Hz

$$51 \frac{\text{cycles}}{\text{second}} \times \frac{1 \text{ mechcycle}}{2 \text{ ecycle}} \times 60 \frac{\text{second}}{\text{minute}} = 1530 \text{ RPM}$$

For a 4-pole motor, this translates to:

#### 8.4.11.2.1 Two-Byte Register Readback

Several of the registers such as MotorSpeed report data that is contained in two registers.

To make sure that the data does not change between the reading of the first and second register reads, the DRV10983 implements a special scheme to synchronize the reading of MSB and LSB data. To ensure valid data is read when reading a two register value, use the following sequence.

1. Read the MSB.
2. Read the LSB.

Figure 38 shows the two-register readback circuit. When the MSB is read, the controller takes a snapshot of the LSB. The LSB data is stored in one extra register byte, which is shown as MotorSpeedBuffer[7:0]. When the LSB is read, the value of MotorSpeedBuffer[7:0] is sent.

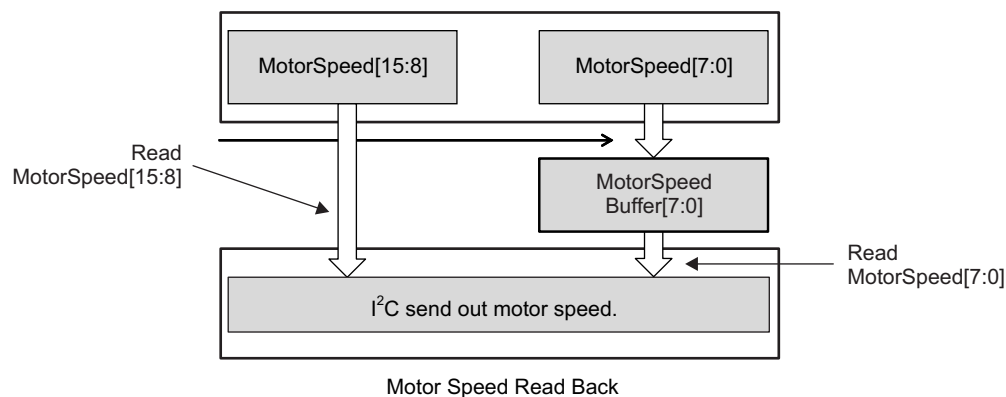


Figure 38. Two-Byte Register Readback

### 8.4.11.3 Motor Electrical Period Readback

The motor operation electrical period is automatically updated in register MotorPeriod1 and MotorPeriod2 while the motor is spinning. MotorPeriod1 is the MSB and MotorPeriod2 is the LSB. The electrical period is measured as the time between calculated BEMF zero crossings for phase U. The electrical period of the motor is denoted as  $t_{\text{ELE\_PERIOD}}$  ( $\mu\text{s}$ ) and is calculated as shown in Equation 9.

$$t_{\text{ELE\_PERIOD}} (\mu\text{s}) = \{\text{MotorPeriod1:MotorPeriod2}\} \times 10 \quad (9)$$

As an example consider the following:

MotorPeriod1 = 0x01;

MotorPeriod2 = 0xFF;

$t_{\text{ELE\_PERIOD}} = 512 (0x01FF) \times 10 = 5120 \mu\text{s}$

The motor electrical period and motor speed satisfies the condition of Equation 10.

$$t_{\text{ELE\_PERIOD}} (\text{s}) \times \text{Velocity (Hz)} = 1 \quad (10)$$

#### 8.4.11.4 BEMF Constant Readback

For any given motor, the integrated value of BEMF during half of an electronic cycle will be constant, Ktc (see [Lock2: Abnormal Kt](#)).

The integration of the motor BEMF is processed periodically (updated every electrical cycle) while the motor is spinning. The result is stored in register MotorKt1 and MotorKt2.

The relationship is shown in [Equation 11](#).

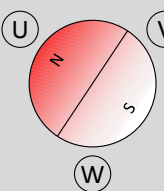
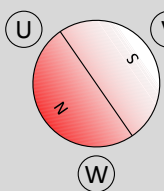
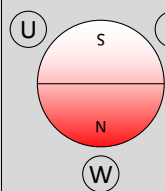
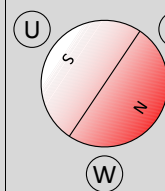
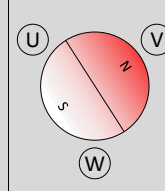
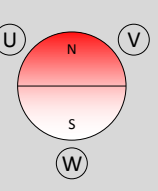
$$K_{tc} \text{ (V/Hz)} = \{\text{MotorKt1}:\text{MotorKt2}\} / 2 / 1090 \quad (11)$$

#### 8.4.11.5 Motor Estimated Position by IPD

After inductive sense is executed the rotor position is detected within 60 electrical degrees of resolution. The position is stored in register IPDPosition.

The value stored in IPD Position corresponds to one of the six motor positions plus the IPD Advance Angle as shown in [Table 7](#). For more about information about IPD, see [Initial Position Detect \(IPD\)](#).

**Table 7. IPD Position Readback**

|                    |  |  |  |  |  |  |
|--------------------|---|---|---|--|---|---|
| Rotor position (°) | 0   | 60  | 120   | 180  | 240   | 300   |
| Data1              | 0   | 43  | 85  | 128  | 171   | 213   |
| IPD Advance Angle  | 30  | 60  | 90  | 120  |   |   |
| Data2              | 22  | 44  | 63  | 85   |   |   |
| Register date      | (Data1 + Data2) mod (256)   |   |   |  |   |   |

#### 8.4.11.6 Supply Voltage Readback

The power supply is monitored periodically during motor operation. This information is available in register SupplyVoltage. The power supply voltage is recorded as shown in [Equation 12](#).

$$V_{\text{POWERSUPPLY}} \text{ (V)} = \text{Supply Voltage} \times 30 \text{ V} / 256 \quad (12)$$

#### 8.4.11.7 Speed Command Readback

The DRV10983 converts the various types of speed command into a speed command value (SpeedCmd) as shown in [Figure 39](#). By reading SpeedCmd, the user can observe PWM input duty (PWM digital mode), analog voltage (analog mode), or I<sup>2</sup>C data (I<sup>2</sup>C mode). This value is calculated as shown in [Equation 13](#).

[Equation 13](#) shows how the speed command as a percentage can be calculated and set in SpeedCmd.

$$\text{Duty}_{\text{SPEED}} \text{ (%) } = \text{SpeedCmd} \times 100\% / 255$$

where

- Duty<sub>SPEED</sub> = Speed command as a percentage
  - SpeedCmd = Register value
- (13)

#### 8.4.11.8 Speed Command Buffer Readback

If acceleration current limit and AVS are enabled, the PWM duty cycle output (read back at spdCmdBuffer) may not always match the input command (read back at SpeedCmd) shown in [Figure 39](#). See [AVS Function](#) and [Current Limit](#).

By reading the value of spdCmdBuffer, the user can observe buffered speed command (output PWM duty cycle) to the motor.

Equation 14 shows how the buffered speed is calculated.

$$\text{Duty}_{\text{OUTPUT}} (\%) = \text{spdCmdBuffer} \times 100\% / 255$$

where

- Duty<sub>OUTPUT</sub> = The maximum duty cycle of the output PWM, which represents the output amplitude in percentage.
- spdCmdBuffer = Register value

(14)

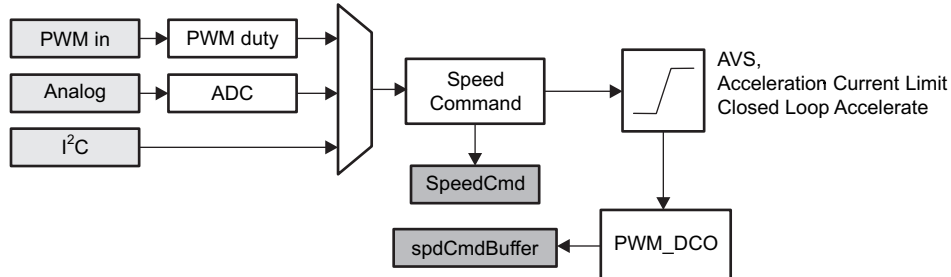


Figure 39. SpeedCmd and spdCmdBuffer Register

#### 8.4.11.9 Fault Diagnostics

See [Lock Detect and Fault Handling](#).

## 8.5 Register Maps

### 8.5.1 I<sup>2</sup>C Serial Interface

The DRV10983 provides an I<sup>2</sup>C slave interface with slave address 101 0010. TI recommends a pullup resistor 4.7 kΩ to 3.3 V for I<sup>2</sup>C interface port SCL and SDA.

Four read/write registers (0x00:0x03) are used to set motor speed and control device registers and EEPROM. Device operation status can be read back through 12 read-only registers (0x10:0x1E). Another 12 EEPROM registers (0x20:0x2B) can be accessed to program motor parameters and optimize the spin-up profile for the application.

### 8.5.2 Register Map

| Register Name                | Address | D7                  | D6              | D5             | D4      | D3               | D2              | D1            | D0         |  |
|------------------------------|---------|---------------------|-----------------|----------------|---------|------------------|-----------------|---------------|------------|--|
| SpeedCtrl1 <sup>(1)</sup>    | 0x00    | SpdCtrl[7:0]        |                 |                |         |                  |                 |               |            |  |
| SpeedCtrl2 <sup>(1)</sup>    | 0x01    | OverRide            |                 |                |         |                  |                 |               | SpdCtrl[8] |  |
| DevCtrl <sup>(1)</sup>       | 0x02    | enProgKey[7:0]      |                 |                |         |                  |                 |               |            |  |
| EECtrl <sup>(1)</sup>        | 0x03    | sleepDis            | Sldata          | eeRefresh      | eeWrite |                  |                 |               |            |  |
| Status <sup>(2)</sup>        | 0x10    | OverTemp            | Slp_Stdby       | OverCurr       | MtrLck  |                  |                 |               |            |  |
| MotorSpeed1 <sup>(2)</sup>   | 0x11    | MotorSpeed[15:8]    |                 |                |         |                  |                 |               |            |  |
| MotorSpeed2 <sup>(2)</sup>   | 0x12    | MotorSpeed[7:0]     |                 |                |         |                  |                 |               |            |  |
| MotorPeriod1 <sup>(2)</sup>  | 0x13    | MotorPeriod[15:8]   |                 |                |         |                  |                 |               |            |  |
| MotorPeriod2 <sup>(2)</sup>  | 0x14    | MotorPeriod[7:0]    |                 |                |         |                  |                 |               |            |  |
| MotorKt1 <sup>(2)</sup>      | 0x15    | MotorKt[15:8]       |                 |                |         |                  |                 |               |            |  |
| MotorKt2 <sup>(2)</sup>      | 0x16    | MotorKt[7:0]        |                 |                |         |                  |                 |               |            |  |
| IPDPosition <sup>(2)</sup>   | 0x19    | IPDPosition[7:0]    |                 |                |         |                  |                 |               |            |  |
| SupplyVoltage <sup>(2)</sup> | 0x1A    | SupplyVoltage [7:0] |                 |                |         |                  |                 |               |            |  |
| SpeedCmd <sup>(2)</sup>      | 0x1B    | SpeedCmd [7:0]      |                 |                |         |                  |                 |               |            |  |
| spdCmdBuffer <sup>(2)</sup>  | 0x1C    | spdCmdBuffer[7:0]   |                 |                |         |                  |                 |               |            |  |
| FaultCode <sup>(2)</sup>     | 0x1E    |                     |                 | Lock5          | Lock4   | Fault3           | Lock2           | Lock1         | Lock0      |  |
| MotorParam1 <sup>(3)</sup>   | 0x20    | DoubleFreq          | Rm[6:0]         |                |         |                  |                 |               |            |  |
| MotorParam2 <sup>(3)</sup>   | 0x21    | AdjMode             | Kt[6:0]         |                |         |                  |                 |               |            |  |
| MotorParam3 <sup>(3)</sup>   | 0x22    | CtrlAdvMd           | TCtrlAdv[6:0]   |                |         |                  |                 |               |            |  |
| SysOpt1 <sup>(3)</sup>       | 0x23    | ISDThr[1:0]         |                 | IPDAdvAg[1:0]  |         | ISDen            | RvsDrEn         | RvsDrThr[1:0] |            |  |
| SysOpt2 <sup>(3)</sup>       | 0x24    | OpenLCurr[1:0]      |                 | OpLCurrRt[2:0] |         |                  | BrkDoneThr[2:0] |               |            |  |
| SysOpt3 <sup>(3)</sup>       | 0x25    | CtrlCoef[1:0]       |                 | StAccel2[2:0]  |         |                  | StAccel[2:0]    |               |            |  |
| SysOpt4 <sup>(3)</sup>       | 0x26    | Op2ClsThr[4:0]      |                 |                |         |                  | AlignTime[2:0]  |               |            |  |
| SysOpt5 <sup>(3)</sup>       | 0x27    | LockEn[3:0]         |                 |                |         | AVSIndEn         | AVSMEn          | AVSMMd        | IPDRIsMd   |  |
| SysOpt6 <sup>(3)</sup>       | 0x28    | SWiLimitThr[3:0]    |                 |                |         | HWiLimitThr[2:0] |                 |               |            |  |
| SysOpt7 <sup>(3)</sup>       | 0x29    | LockEn5             | ClsLpAccel[2:0] |                |         | Deadtime[3:0]    |                 |               |            |  |
| SysOpt8 <sup>(3)</sup>       | 0x2A    | IPDCurrThr[3:0]     |                 |                |         | LockEn4          | VregSel         | IPDCIk[1:0]   |            |  |
| SysOpt9 <sup>(3)</sup>       | 0x2B    | FGOLsel[1:0]        |                 | FGcycle[1:0]   |         | KtLckThr[1:0]    |                 | SpdCtrlMd     | CLoopDis   |  |

(1) R/W

(2) Read only

(3) EEPROM



**Table 8. Default EEPROM Value**

| Address | Default Value |
|---------|---------------|
| 0x20    | 0x4A          |
| 0x21    | 0x4E          |
| 0x22    | 0x2A          |
| 0x23    | 0x00          |
| 0x24    | 0x98          |
| 0x25    | 0xE4          |
| 0x26    | 0x7A          |
| 0x27    | 0xFC          |
| 0x28    | 0x69          |
| 0x29    | 0xB9          |
| 0x2A    | 0xAD          |
| 0x2B    | 0x0C          |

### 8.5.3 Register Definition

**Table 9. Register Description**

| Register                  |         |      | Data           | Description  |
|---------------------------|---------|------|----------------|--|
| Name                      | Address | Bits |                |  |
| SpeedCtrl1 <sup>(1)</sup> | 0x00    | 7:0  | SpdCtrl[7:0]   | 8 LSB of a 9-bit value used for the motor speed. If OverRide = 1, the user can directly control the motor speed by writing to the register through I <sup>2</sup> C.   |
| SpeedCtrl2 <sup>(1)</sup> | 0x01    | 7    | OverRide       | Use to control the SpdCtrl [8:0] bits. If OverRide = 1, the user can write the speed command through I <sup>2</sup> C.   |
|                           |         | 6:1  | N/A            | N/A  |
|                           |         | 0    | SpdCtrl [8]    | MSB of a 9-bit value used for the motor speed. If OverRide = 1, user can directly control the motor speed by writing to the register through I <sup>2</sup> C. The MSB should be written first. Digital takes a snapshot of the MSB when LSB is written. |
| DevCtrl <sup>(1)</sup>    | 0x02    | 7:0  | enProgKey[7:0] | 8-bit byte use to enable programming in the EEPROM. To program the EEPROM, enProgKey = 1011 0110 (0xB6), followed immediately by eeWrite = 1. Otherwise, enProgKey value is reset.   |
| EECtrl <sup>(1)</sup>     | 0x03    | 7    | sleepDis       | Set to 1 to disable entering into sleep or standby mode.   |
|                           |         | 6    | Slldata        | Set to 1 to enable the writing to the configuration registers.   |
|                           |         | 5    | eeRefresh      | Copy EEPROM data to register.  |
|                           |         | 4    | eeWrite        | Bit used to program (write) to the EEPROM.   |
|                           |         | 3:0  | N/A            | N/A  |
| Status <sup>(2)</sup>     | 0x10    | 7    | OverTemp       | Bit to indicate device temperature is over its limits.   |
|                           |         | 6    | Slp_Stdbby     | Bit to indicate that device went into sleep or standby mode.   |
|                           |         | 5    | OverCurr       | Bit to indicate that a phase overcurrent event happened. This is a sticky bit, once written, it stays high even if overcurrent signal goes low. This bit is cleared on Read.   |
|                           |         | 4    | MtrLck         | Bit to indicate that the motor is locked.  |
|                           |         | 3    | N/A            | N/A  |
|                           |         | 2    | N/A            | N/A  |
|                           |         | 1    | N/A            | N/A  |
|                           |         | 0    | N/A            | N/A  |

(1) R/W

(2) Read only

**Table 9. Register Description (continued)**

| Register                      |         |      | Data                | Description   |
|-------------------------------|---------|------|---------------------|---|
| Name                          | Address | Bits |                     |   |
| Motor Speed1 <sup>(2)</sup>   | 0x11    | 7:0  | MotorSpeed [15:8]   | 16-bit value indicating the motor speed. Always read the MotorSpeed1 first.<br>Velocity (Hz) = {MotorSpeed1:MotorSpeed2} / 10<br>For example: MotorSpeed1 = 0x01, MotorSpeed2 = 0xFF,<br>Motor Speed = 0x01FF (511) / 10 = 51 Hz  |
| Motor Speed2 <sup>(2)</sup>   | 0x12    | 7:0  | MotorSpeed [7:0]    |   |
| Motor Period1 <sup>(2)</sup>  | 0x13    | 7:0  | MotorPeriod [15:8]  | 16-bit value indicating the motor period. Always read the MotorPeriod1 first.<br>$t_{ELE\_PERIOD} (\mu s) = \{MotorPeriod1:MotorPeriod2\} \times 10$<br>For example: MotorPeriod1 = 0x01, MotorPeriod2 = 0xFF,<br>Motor Period = 0x01FF (511) $\times 10 = 5.1$ ms              |
| Motor Period2 <sup>(2)</sup>  | 0x14    | 7:0  | MotorPeriod [7:0]   |   |
| MotorKt1 <sup>(2)</sup>       | 0x15    | 7:0  | MotorKt[15:8]       | 16-bit value indicating the motor measured velocity constant. Always read the MotorKt1 first.   |
| MotorKt2 <sup>(2)</sup>       | 0x16    | 7:0  | MotorKt[7:0]        | $K_{tc} (V/Hz) = \{MotorKt1:MotorKt2\} / 2 / 1090$<br>{MotorKt1:MotorKt2} corresponding to 2 $\times$ Ktph_dig  |
| IPDPosition <sup>(2)</sup>    | 0x19    | 7:0  | IPDPosition [7:0]   | 8-bit value indicating the estimated motor position during IPD plus the IPD advance angle (see <a href="#">Table 7</a> )  |
| Supply Voltage <sup>(2)</sup> | 0x1A    | 7:0  | SupplyVoltage [7:0] | 8-bit value indicating the supply voltage<br>$V_{POWERSUPPLY} (V) = SupplyVoltage[7:0] \times 30 V / 256$<br>For example, SupplyVoltage[7:0] = 0x67,<br>$V_{POWERSUPPLY} (V) = 0x67 (102) \times 30 / 256 = 12 V$   |
| SpeedCmd <sup>(2)</sup>       | 0x1B    | 7:0  | SpeedCmd[7:0]       | 8-bit value indicating the speed command based on analog or PWMIn or I <sup>2</sup> C.<br>FF indicates 100% speed command.  |
| spdCmd Buffer <sup>(2)</sup>  | 0x1C    | 7:0  | spdCmdBuffer [8:1]  | 8-bit value indicating the speed command after buffer output.<br>FF indicates 100% speed command.   |
| FaultCode <sup>(2)</sup>      | 0x1E    | 7:6  | N/A                 | N/A   |
|                               |         | 5    | Lock5               | Stuck in closed loop  |
|                               |         | 4    | Lock4               | Stuck in open loop  |
|                               |         | 3    | Fault3              | No motor  |
|                               |         | 2    | Lock2               | Kt abnormal   |
|                               |         | 1    | Lock1               | Speed abnormal  |
|                               |         | 0    | Lock0               | Lock detection current limit  |
| Motor Param1 <sup>(3)</sup>   | 0x20    | 7    | DoubleFreq          | 0 = Set driver output frequency to 25 kHz<br>1 = Set driver output frequency to 50 kHz  |
|                               |         | 6:0  | Rm[6:0]             | Rm[6:4] : Number of the Shift bits of the motor phase resistance<br>Rm[3:0] : Significant value of the motor phase resistance<br>$R_{mdig} = R_{(ph\_ct)} / 0.00967$<br>$R_{mdig} = Rm[3:0] \ll Rm[6:4]$ See <a href="#">Motor Phase Resistance</a> and <a href="#">Table 2</a> |
| Motor Param2 <sup>(3)</sup>   | 0x21    | 7    | AdjMode             | Closed loop adjustment mode setting<br>0 = Full cycle adjustment<br>1 = Half cycle adjustment   |
|                               |         | 6:0  | Kt[6:0]             | Kt[6:4] = Number of the Shift bits of BEMF constant<br>Kt[3:0] = Significant value of the BEMF constant<br>$[[Kt]]\_ph\_dig = 1090 \times [[Kt]]\_ph$<br>$[[Kt]]\_ph\_dig = Kt[3:0] \ll Kt[4:6]$<br>See <a href="#">BEMF Constant</a> and <a href="#">Table 3</a> .             |
| Motor Param3 <sup>(3)</sup>   | 0x22    | 7    | CtrlAdvMd           | Motor commutate control advance<br>0 = Fixed time<br>1 = Variable time relative to the motor speed and V <sub>CC</sub>  |
|                               |         | 6:0  | Tdelay[6:0]         | $t_{delay} [6:4]$ = Number of the Shift bits of LRTIME<br>$t_{delay} [3:0]$ = Significant value of LRTIME<br>$t_{SETTING} = 2.5 \mu s \times \{TCtrlAdv[3:0] \ll TCtrlAdv[6:4]\}$   |

(3) EEPROM

**Table 9. Register Description (continued)**

| Register               |         |      | Data             | Description   |
|------------------------|---------|------|------------------|---|
| Name                   | Address | Bits |                  |   |
| SysOpt1 <sup>(3)</sup> | 0x23    | 7:6  | ISDThr[1:0]      | ISD stationary judgment threshold<br>00 = 6 Hz (80 ms, no zero cross)<br>01 = 3 Hz (160 ms, no zero cross)<br>10 = 1.6 Hz (320 ms, no zero cross)<br>11 = 0.8 Hz (640 ms, no zero cross)  |
|                        |         | 5:4  | IPDAdvAgl [1:0]  | Advancing angle after inductive sense<br>00 = 30°<br>01 = 60°<br>10 = 90°<br>11 = 120°  |
|                        |         | 3    | ISDen            | 0 = Initial speed detect (ISD) disable<br>1 = ISD enable  |
|                        |         | 2    | RvsDrEn          | 0 = Reverse drive disable<br>1 = Reverse drive enable   |
|                        |         | 1:0  | RvsDrThr[1:0]    | The threshold where device starts to process reverse drive (RvsDr) or brake.<br>00 = 6.3 Hz<br>01 = 13 Hz<br>10 = 26 Hz<br>11 = 51 Hz   |
| SysOpt2 <sup>(3)</sup> | 0x24    | 7:6  | OpenLCurr[1:0]   | Open loop current setting.<br>00 = 0.2 A<br>01 = 0.4 A<br>10 = 0.8 A<br>11 = 1.6 A  |
|                        |         | 5:3  | OpLCurrRt:[2:0]  | Open-loop current ramp-up rate setting<br>000 = 6 V <sub>CC</sub> /s<br>001 = 3 V <sub>CC</sub> /s<br>010 = 1.5 V <sub>CC</sub> /s<br>011 = 0.7 V <sub>CC</sub> /s<br>100 = 0.34 V <sub>CC</sub> /s<br>101 = 0.16 V <sub>CC</sub> /s<br>110 = 0.07 V <sub>CC</sub> /s<br>111 = 0.023 V <sub>CC</sub> /s |
|                        |         | 2:0  | BrkDoneThr [2:0] | Braking mode setting<br>000 = No brake (BrkEn = 0)<br>001 = 2.7 s<br>010 = 1.3 s<br>011 = 0.67 s<br>100 = 0.33 s<br>101 = 0.16 s<br>110 = 0.08 s<br>111 = 0.04 s  |

**Table 9. Register Description (continued)**

| Register               |         |      | Data                 | Description   |
|------------------------|---------|------|----------------------|---|
| Name                   | Address | Bits |                      |   |
| SysOpt3 <sup>(3)</sup> | 0x25    | 7:6  | CtrlCoeef[1:0]       | Control coefficient<br>00 = 0.25<br>01 = 0.5<br>10 = 0.75<br>11 = 1   |
|                        |         | 5:3  | StAccel2[2:0]        | Open loop start-up accelerate (second order)<br>000 = 57 Hz/s <sup>2</sup><br>001 = 29 Hz/s <sup>2</sup><br>010 = 14 Hz/s <sup>2</sup><br>011 = 6.9 Hz/s <sup>2</sup><br>100 = 3.3 Hz/s <sup>2</sup><br>101 = 1.6 Hz/s <sup>2</sup><br>110 = 0.66 Hz/s <sup>2</sup><br>111 = 0.22 Hz/s <sup>2</sup> |
|                        |         | 2:0  | StAccel[2:0]         | Open loop start-up accelerate (first order)<br>000 = 76 Hz/s<br>001 = 38 Hz/s<br>010 = 19 Hz/s<br>011 = 9.2 Hz/s<br>100 = 4.5 Hz/s<br>101 = 2.1 Hz/s<br>110 = 0.9 Hz/s<br>111 = 0.3 Hz/s  |
| SysOpt4 <sup>(3)</sup> | 0x26    | 7:3  | Op2ClsThr[4:0]       | Open to closed loop threshold<br>0xxxx = Range 0: n × 0.8 Hz<br>00000 = N/A<br>00001 = 0.8 Hz<br>00111 = 5.6 Hz<br>01111 = 12 Hz<br>1xxxx = Range 1: (n + 1) × 12.8 Hz<br>10000 = 12.8 Hz<br>10001 = 25.6 Hz<br>10111 = 192 Hz<br>11111 = 204.8 Hz  |
|                        |         | 2:0  | AlignTime[2:0]       | Align time.<br>000 = 5.3 s<br>001 = 2.7 s<br>010 = 1.3 s<br>011 = 0.67 s<br>100 = 0.33 s<br>101 = 0.16 s<br>110 = 0.08 s<br>111 = 0.04 s  |
| SysOpt5 <sup>(3)</sup> | 0x27    | 7    | FaultEn3 (LockEn[3]) | No motor fault. Enabled when high   |
|                        |         | 6    | LockEn[2]            | Abnormal Kt. Enabled when high  |
|                        |         | 5    | LockEn[1]            | Abnormal speed. Enabled when high   |
|                        |         | 4    | LockEn[0]            | Lock detection current limit. Enabled when high   |
|                        |         | 3    | AVSIndEn             | Inductive AVS enable. Enabled when high. TI recommends disabling inductive AVS (set this bit to 0).   |
|                        |         | 2    | AVSMEn               | Mechanical AVS enable. Enabled when high  |
|                        |         | 1    | AVSMMd               | Mechanical AVS mode<br>0 = AVS to V <sub>CC</sub><br>1 = AVS to 24 V  |
|                        |         | 0    | IPDRIsMd             | IPD release mode<br>0 = Brake when inductive release<br>1 = Hi-z when inductive release   |

**Table 9. Register Description (continued)**

| Register               |         |      | Data              | Description   |
|------------------------|---------|------|-------------------|---|
| Name                   | Address | Bits |                   |   |
| SysOpt6 <sup>(3)</sup> | 0x28    | 7:4  | SWiLimitThr [3:0] | Acceleration current limit threshold<br>0000 = No acceleration current limit<br>0001 = 0.2-A current limit<br>xxxx = n × 0.2 A current limit  |
|                        |         | 3:1  | HWiLimitThr [2:0] | Lock detection current limit threshold<br>(n + 1) × 0.4 A   |
|                        |         | 0    | N/A               | N/A   |
| SysOpt7 <sup>(3)</sup> | 0x29    | 7    | LockEn[5]         | Stuck in closed loop (no zero cross detected). Enabled when high  |
|                        |         | 6:4  | ClsLpAccel[2:0]   | Closed loop accelerate<br>000 = Inf fast<br>001 = 48 V <sub>CC</sub> /s<br>010 = 48 V <sub>CC</sub> /s<br>011 = 0.77 V <sub>CC</sub> /s<br>100 = 0.37 V <sub>CC</sub> /s<br>101 = 0.19 V <sub>CC</sub> /s<br>110 = 0.091 V <sub>CC</sub> /s<br>111 = 0.045 V <sub>CC</sub> /s |
|                        |         | 3:0  | Deadtime[3:0]     | Dead time between HS and LS gate drive for motor phases<br>0000 = 40 ns<br>xxxx = (n + 1) × 40 ns. Recommended minimum dead time is 400 ns for 24-V VCC and 360 ns for 12-V VCC.  |
| SysOpt8 <sup>(3)</sup> | 0x2A    | 7:4  | IPDCurrThr[3:0]   | IPD (inductive sense) current threshold<br>0000 = No IPD function. Align and Go<br>0001 = 0.4-A current threshold.<br>xxxx = 0.2 A × (n + 1) current threshold.   |
|                        |         | 3    | LockEn[4]         | Open loop stuck (no zero cross detected). Enabled when high   |
|                        |         | 2    | VregSel           | Buck regulator voltage select<br>0: Vreg = 5 V<br>1: Vreg = 3.3 V   |
|                        |         | 1:0  | IPDCIk[1:0]       | Inductive sense clock<br>00 = 12 Hz;<br>01 = 24 Hz;<br>10 = 47 Hz;<br>11 = 95 Hz  |
| SysOpt9 <sup>(3)</sup> | 0x2B    | 7:6  | FGOLsel[1:0]      | FG open loop output select<br>00 = FG outputs in both open loop and closed loop<br>01 = FG outputs only in closed loop<br>10 = FG outputs closed loop and the first open loop<br>11 = Reserved  |
|                        |         | 5:4  | FGcycle[1:0]      | FG cycle select<br>00 = 1 pulse output per electrical cycle<br>01 = 2 pulses output per 3 electrical cycles<br>10 = 1 pulse output per 2 electrical cycles<br>11 = 1 pulse output per 3 electrical cycles   |
|                        |         | 3:2  | KtLckThr[1:0]     | Abnormal Kt lock detect threshold<br>00 = Kt_high = 3/2Kt. Kt_low = 3/4Kt<br>01 = Kt_high = 2Kt. Kt_low = 3/4Kt<br>10 = Kt_high = 3/2Kt. Kt_low = 1/2Kt<br>11 = Kt_high = 2Kt. Kt_low = 1/2Kt   |
|                        |         | 1    | SpdCtrlMd         | Speed input mode<br>0 = Analog input expected at SPEED pin<br>1 = PWM input expected at SPEED pin   |
|                        |         | 0    | CLoopDis          | 0 = Transfer to closed loop at Op2ClsThr speed<br>1 = No transfer to closed loop. Keep in open loop   |

## 9 Application and Implementation

### NOTE

Information in the following applications sections is not part of the TI component specification, and TI does not warrant its accuracy or completeness. TI's customers are responsible for determining suitability of components for their purposes. Customers should validate and test their design implementation to confirm system functionality.

### 9.1 Application Information

The DRV10983 is used in sensorless 3-phase BLDC motor control. The driver provides a high performance, high reliability, flexible and simple solution for appliance fan, pump, and HVAC applications. The following design in [Figure 40](#) shows a common application of the DRV10983. For the DRV10983Z sleep mode device, a Zener diode must be placed in parallel with the 10- $\mu\text{F}$   $V_{\text{REG}}$  capacitor as shown in [Figure 40](#). The Zener diode must meet the requirements listed in [Table 11](#)

### 9.2 Typical Application

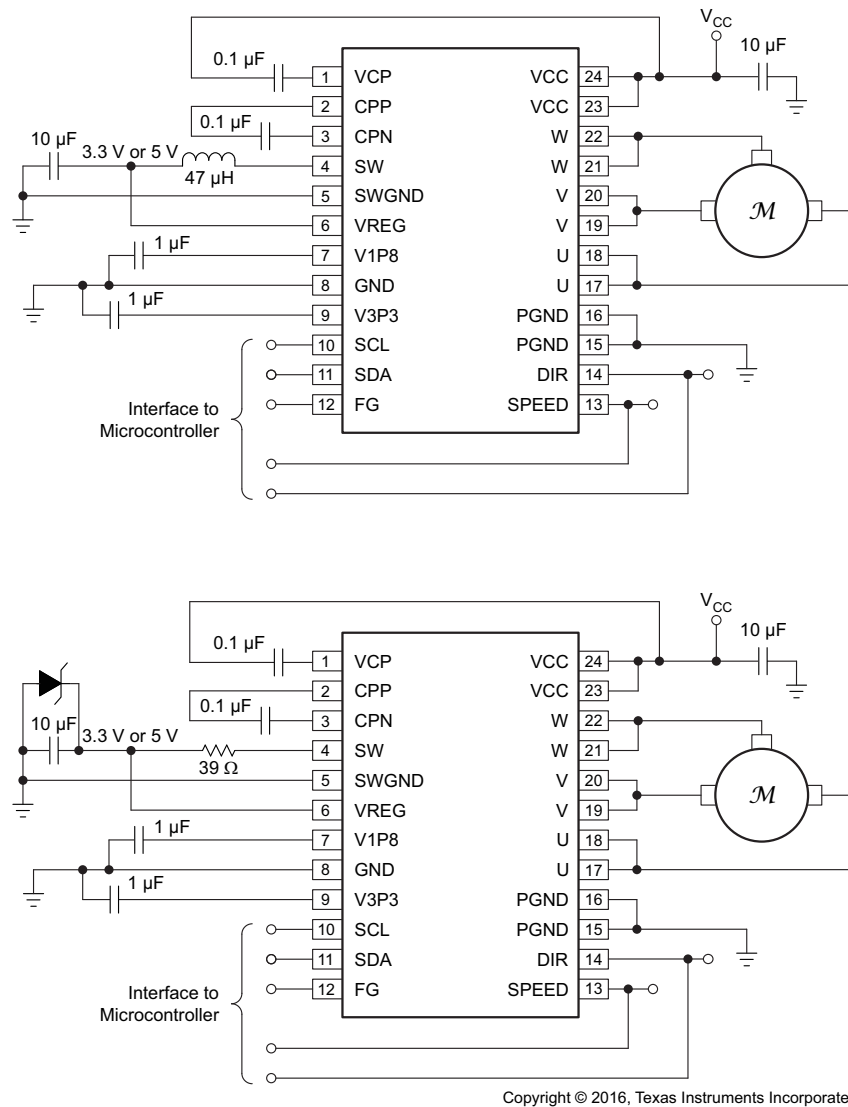


Figure 40. Typical Application Schematics for DRV10983 (Top Image) and DRV10983Z (Bottom Image)

## Typical Application (continued)

### 9.2.1 Design Requirements

Table 10 provides design input parameters and motor parameters for system design.

**Table 10. Recommended Application Range**

|                             |  | MIN   | TYP | MAX  | UNIT     |
|-----------------------------|--|-------|-----|------|----------|
| Motor voltage               |  | 8     | 24  | 28   | V        |
| BEMF constant               | Phase to phase, measured while motor is coasting                           | 0.001 |     | 1.8  | V/Hz     |
| Motor phase resistance      | 1 phase, measured ph-ph and divide by 2                                    | 0.3   |     | 19   | $\Omega$ |
| Motor electrical constant   | 1 phase; inductance divided by resistance, measured ph-ph is equal to 1 ph | 100   |     | 5000 | $\mu$ s  |
| Operating closed loop speed | Electrical frequency   | 1     |     | 1000 | Hz       |
| Operating current           | PGND, GND  | 0.1   |     | 2    | A        |
| Absolute maximum current    | During start-up or lock condition  |       |     | 3    | A        |

**Table 11. External Components**

| COMPONENT                         | PIN 1    | PIN 2    | RECOMMENDED  |
|-----------------------------------|----------|----------|--|
| $C_{VCC}$                         | $V_{CC}$ | GND      | 10- $\mu$ F ceramic capacitor rated for $V_{CC}$   |
| $C_{VCP}$                         | VCP      | $V_{CC}$ | 0.1- $\mu$ F ceramic capacitor rated for 10 V  |
| $C_{CP}$                          | CPP      | CPN      | 0.1- $\mu$ F ceramic capacitor rated for $V_{CC} \times 2$   |
| $L_{SW-VREG}$                     | SW       | VREG     | 47- $\mu$ H Ferrite rated for 1.15A (buck mode)  |
| $R_{SW-VREG}$                     | SW       | VREG     | 39- $\Omega$ series resistor rated for ¼ W (linear mode)   |
| $C_{VREG}$                        | VREG     | GND      | 10- $\mu$ F ceramic capacitor rated for 10 V   |
| $C_{V1P8}$                        | V1P8     | GND      | 1- $\mu$ F ceramic capacitor rated for 5 V   |
| $C_{V3P3}$                        | V3P3     | GND      | 1- $\mu$ F ceramic capacitor rated for 5 V   |
| $R_{SCL}$                         | SCL      | V3P3     | 4.75-k $\Omega$ pullup to V3P3   |
| $R_{SDA}$                         | SDA      | V3P3     | 4.75-k $\Omega$ pullup to V3P3   |
| $R_{FG}$                          | FG       | V3P3     | 4.75-k $\Omega$ pullup to V3P3   |
| $D_{Zener}$ (For 3.3-V Vreg mode) | GND      | VREG     | Only for DRV10983Z, Zener Voltage( $V_z$ ) = 4 V ( $\pm 5\%$ ). Peak Power > 5 W, Leakage Current <100 $\mu$ A |
| $D_{Zener}$ (For 5-V Vreg mode)   | GND      | VREG     | Only for DRV10983Z, Zener Voltage( $V_z$ ) = 6 V ( $\pm 5\%$ ). Peak Power > 5 W, Leakage Current <100 $\mu$ A |

### 9.2.2 Detailed Design Procedure

1. See the [Design Requirements](#) section and make sure your system meets the recommended application range.
2. See the [DRV10983 and DRV10975 Tuning Guide](#) and measure the motor parameters.
3. See the [DRV10983 and DRV10975 Tuning Guide](#). Configure the parameters using DRV10983 GUI, and optimize the motor operation. The *Tuning Guide* takes the user through all the configurations step by step, including: start-up operation, closed-loop operation, current control, initial positioning, lock detection, and anti-voltage surge.
4. See the [Programming Guide for the DRV10983](#) and [Non-Volatile Memory](#) section for burning tuned settings into EEPROM.
5. Build your hardware based on [Layout Guidelines](#).
6. Connect the device into system and validate your system solution.

## 9.2.3 Application Curves

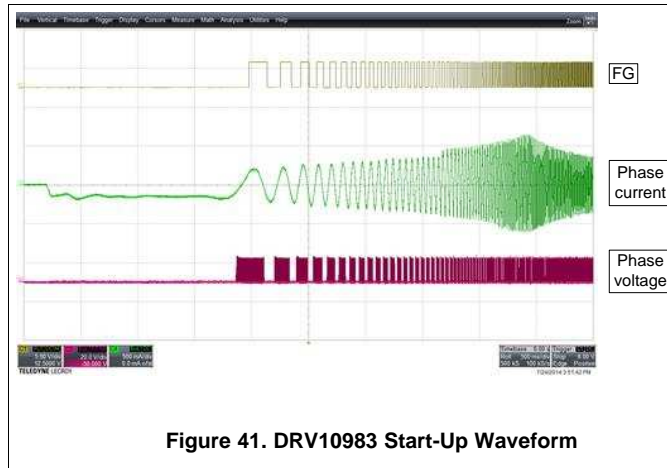


Figure 41. DRV10983 Start-Up Waveform

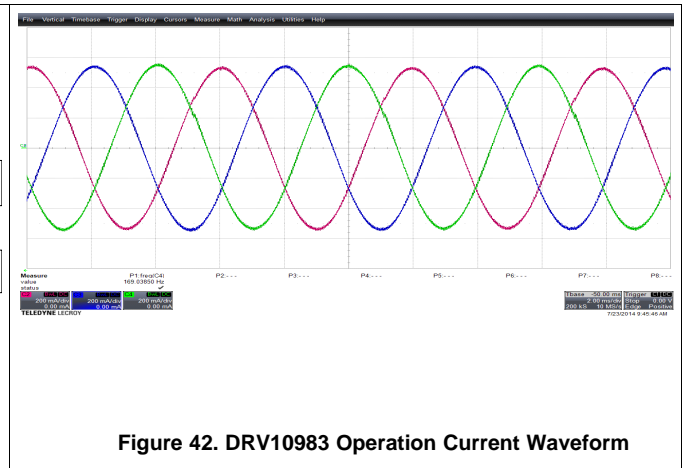


Figure 42. DRV10983 Operation Current Waveform

## 10 Power Supply Recommendations

The DRV10983 is designed to operate from an input voltage supply,  $V_{(VCC)}$ , range between 8 V and 28 V. The user must place a 10- $\mu$ F ceramic capacitor rated for  $V_{CC}$  as close as possible to the  $V_{CC}$  and GND pins.

If the power supply ripple is more than 200 mV, in addition to the local decoupling capacitors, a bulk capacitance is required and must be sized according to the application requirements. If the bulk capacitance is implemented in the application, the user can reduce the value of the local ceramic capacitor to 1  $\mu$ F.

## 11 Layout

### 11.1 Layout Guidelines

- Place  $V_{CC}$ , GND, U, V, and W pins with thick traces because high current passes through these traces.
- Place the 10- $\mu$ F capacitor between  $V_{CC}$  and GND, and as close to the  $V_{CC}$  and GND pins as possible.
- Place the capacitor between CPP and CPN, and as close to the CPP and CPN pins as possible.
- Connect the GND, PGND, and SWGND under the thermal pad.
- Keep the thermal pad connection as large as possible, both on the bottom side and top side. It should be one piece of copper without any gaps.



## 11.2 Layout Example

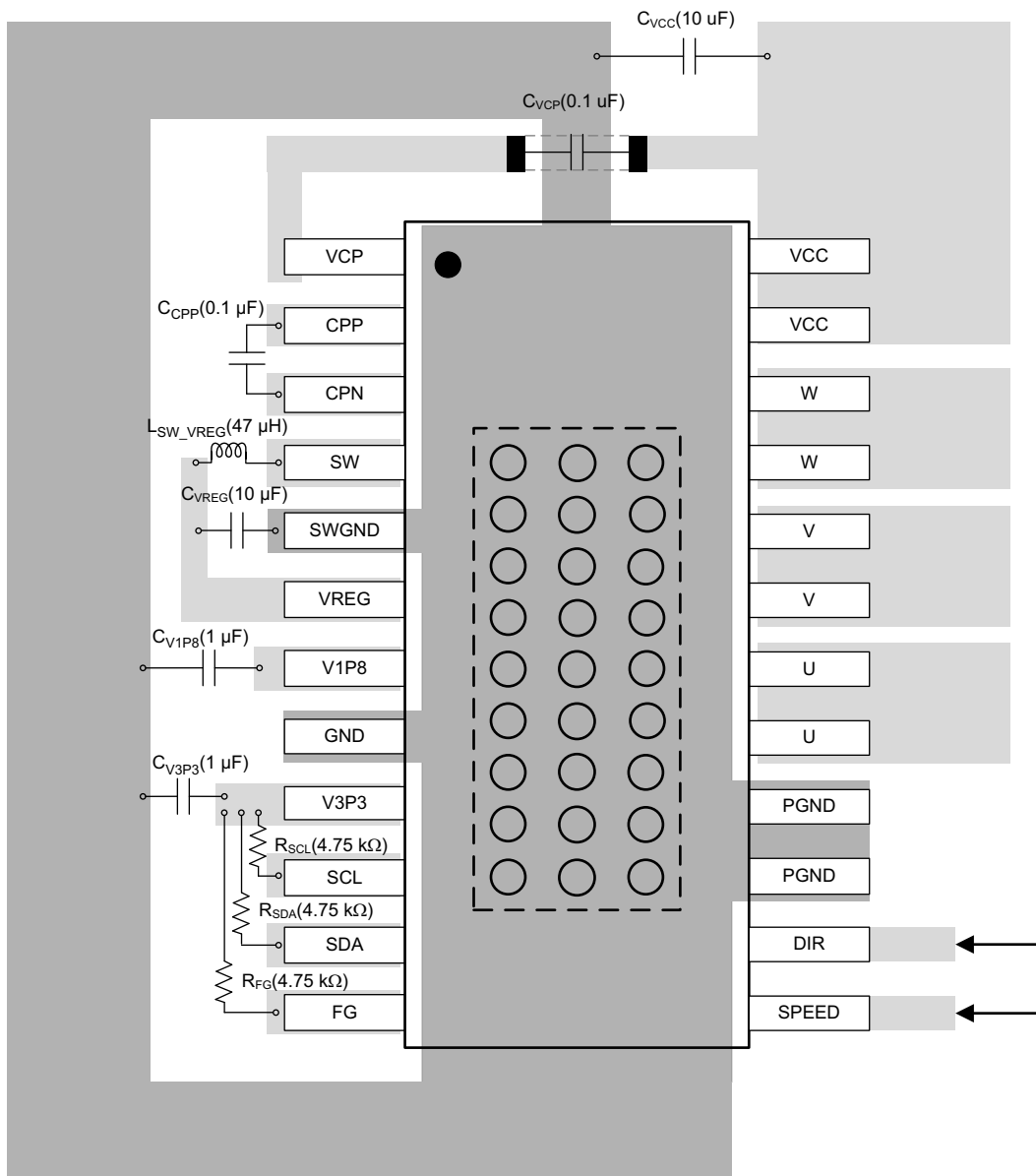


Figure 43. Layout Schematic

## 12 Device and Documentation Support

### 12.1 Device Support

#### 12.1.1 Third-Party Products Disclaimer

TI'S PUBLICATION OF INFORMATION REGARDING THIRD-PARTY PRODUCTS OR SERVICES DOES NOT CONSTITUTE AN ENDORSEMENT REGARDING THE SUITABILITY OF SUCH PRODUCTS OR SERVICES OR A WARRANTY, REPRESENTATION OR ENDORSEMENT OF SUCH PRODUCTS OR SERVICES, EITHER ALONE OR IN COMBINATION WITH ANY TI PRODUCT OR SERVICE.

### 12.2 Documentation Support

#### 12.2.1 Related Documentation

For related documentation see the following:

- Texas Instruments, [DRV10983 and DRV10975 Evaluation Module user's guide](#)
- Texas Instruments, [DRV10983 and DRV10975 Tuning Guide](#)
- Texas Instruments, [How to Design a Thermally-Efficient Integrated BLDC Motor Drive PCB application report](#)
- Texas Instruments, [Programming Guide for the DRV10983](#)
- Texas Instruments, [Speed-Control Techniques in AC-DC Operated BLDC Applications application report](#)

### 12.3 Trademarks

PowerPAD, E2E are trademarks of Texas Instruments.  
All other trademarks are the property of their respective owners.

### 12.4 Electrostatic Discharge Caution



These devices have limited built-in ESD protection. The leads should be shorted together or the device placed in conductive foam during storage or handling to prevent electrostatic damage to the MOS gates.

### 12.5 Receiving Notification of Documentation Updates

To receive notification of documentation updates, navigate to the device product folder on ti.com. In the upper right corner, click on *Alert me* to register and receive a weekly digest of any product information that has changed. For change details, review the revision history included in any revised document.

### 12.6 Community Resources

The following links connect to TI community resources. Linked contents are provided "AS IS" by the respective contributors. They do not constitute TI specifications and do not necessarily reflect TI's views; see TI's [Terms of Use](#).

**TI E2E™ Online Community** *TI's Engineer-to-Engineer (E2E) Community*. Created to foster collaboration among engineers. At [e2e.ti.com](http://e2e.ti.com), you can ask questions, share knowledge, explore ideas and help solve problems with fellow engineers.

**Design Support** *TI's Design Support* Quickly find helpful E2E forums along with design support tools and contact information for technical support.

### 12.7 Glossary

[SLYZ022](#) — *TI Glossary*.

This glossary lists and explains terms, acronyms, and definitions.

## 13 Mechanical, Packaging, and Orderable Information

The following pages include mechanical, packaging, and orderable information. This information is the most-current data available for the designated device. This data is subject to change without notice and without revision of this document. For browser-based versions of this data sheet, see the left-hand navigation pane.

**PACKAGING INFORMATION**

| Orderable Device | Status<br>(1) | Package Type | Package<br>Drawing | Pins | Package<br>Qty | Eco Plan<br>(2)            | Lead/Ball Finish<br>(6) | MSL Peak Temp<br>(3) | Op Temp (°C) | Device Marking<br>(4/5) | Samples                 |
|------------------|---------------|--------------|--------------------|------|----------------|----------------------------|-------------------------|----------------------|--------------|-------------------------|-------------------------|
| DRV10983PWP      | ACTIVE        | HTSSOP       | PWP                | 24   | 60             | Green (RoHS<br>& no Sb/Br) | CU NIPDAU               | Level-2-260C-1 YEAR  | -40 to 125   | DRV10983                | <a href="#">Samples</a> |
| DRV10983PWPR     | ACTIVE        | HTSSOP       | PWP                | 24   | 2000           | Green (RoHS<br>& no Sb/Br) | CU NIPDAU               | Level-2-260C-1 YEAR  | -40 to 125   | DRV10983                | <a href="#">Samples</a> |
| DRV10983ZPWP     | ACTIVE        | HTSSOP       | PWP                | 24   | 60             | Green (RoHS<br>& no Sb/Br) | CU NIPDAU               | Level-2-260C-1 YEAR  | -40 to 125   | DRV10983Z               | <a href="#">Samples</a> |
| DRV10983ZPWPR    | ACTIVE        | HTSSOP       | PWP                | 24   | 2000           | Green (RoHS<br>& no Sb/Br) | CU NIPDAU               | Level-2-260C-1 YEAR  | -40 to 125   | DRV10983Z               | <a href="#">Samples</a> |

(1) The marketing status values are defined as follows:

**ACTIVE:** Product device recommended for new designs.

**LIFEBUY:** TI has announced that the device will be discontinued, and a lifetime-buy period is in effect.

**NRND:** Not recommended for new designs. Device is in production to support existing customers, but TI does not recommend using this part in a new design.

**PREVIEW:** Device has been announced but is not in production. Samples may or may not be available.

**OBSOLETE:** TI has discontinued the production of the device.

(2) **RoHS:** TI defines "RoHS" to mean semiconductor products that are compliant with the current EU RoHS requirements for all 10 RoHS substances, including the requirement that RoHS substance do not exceed 0.1% by weight in homogeneous materials. Where designed to be soldered at high temperatures, "RoHS" products are suitable for use in specified lead-free processes. TI may reference these types of products as "Pb-Free".

**RoHS Exempt:** TI defines "RoHS Exempt" to mean products that contain lead but are compliant with EU RoHS pursuant to a specific EU RoHS exemption.

**Green:** TI defines "Green" to mean the content of Chlorine (Cl) and Bromine (Br) based flame retardants meet JS709B low halogen requirements of <=1000ppm threshold. Antimony trioxide based flame retardants must also meet the <=1000ppm threshold requirement.

(3) MSL, Peak Temp. - The Moisture Sensitivity Level rating according to the JEDEC industry standard classifications, and peak solder temperature.

(4) There may be additional marking, which relates to the logo, the lot trace code information, or the environmental category on the device.

(5) Multiple Device Markings will be inside parentheses. Only one Device Marking contained in parentheses and separated by a "-" will appear on a device. If a line is indented then it is a continuation of the previous line and the two combined represent the entire Device Marking for that device.

(6) Lead/Ball Finish - Orderable Devices may have multiple material finish options. Finish options are separated by a vertical ruled line. Lead/Ball Finish values may wrap to two lines if the finish value exceeds the maximum column width.

**Important Information and Disclaimer:** The information provided on this page represents TI's knowledge and belief as of the date that it is provided. TI bases its knowledge and belief on information provided by third parties, and makes no representation or warranty as to the accuracy of such information. Efforts are underway to better integrate information from third parties. TI has taken and

continues to take reasonable steps to provide representative and accurate information but may not have conducted destructive testing or chemical analysis on incoming materials and chemicals. TI and TI suppliers consider certain information to be proprietary, and thus CAS numbers and other limited information may not be available for release.

In no event shall TI's liability arising out of such information exceed the total purchase price of the TI part(s) at issue in this document sold by TI to Customer on an annual basis.

**OTHER QUALIFIED VERSIONS OF DRV10983 :**

- Automotive: [DRV10983-Q1](#)

## NOTE: Qualified Version Definitions:

- Automotive - Q100 devices qualified for high-reliability automotive applications targeting zero defects

## TAPE AND REEL INFORMATION



### QUADRANT ASSIGNMENTS FOR PIN 1 ORIENTATION IN TAPE



\*All dimensions are nominal

| Device       | Package Type | Package Drawing | Pins | SPQ  | Reel Diameter (mm) | Reel Width W1 (mm) | A0 (mm) | B0 (mm) | K0 (mm) | P1 (mm) | W (mm) | Pin1 Quadrant |
|--------------|--------------|-----------------|------|------|--------------------|--------------------|---------|---------|---------|---------|--------|---------------|
| DRV10983PWPR | HTSSOP       | PWP             | 24   | 2000 | 330.0              | 16.4               | 6.95    | 8.3     | 1.6     | 8.0     | 16.0   | Q1            |

**TAPE AND REEL BOX DIMENSIONS**



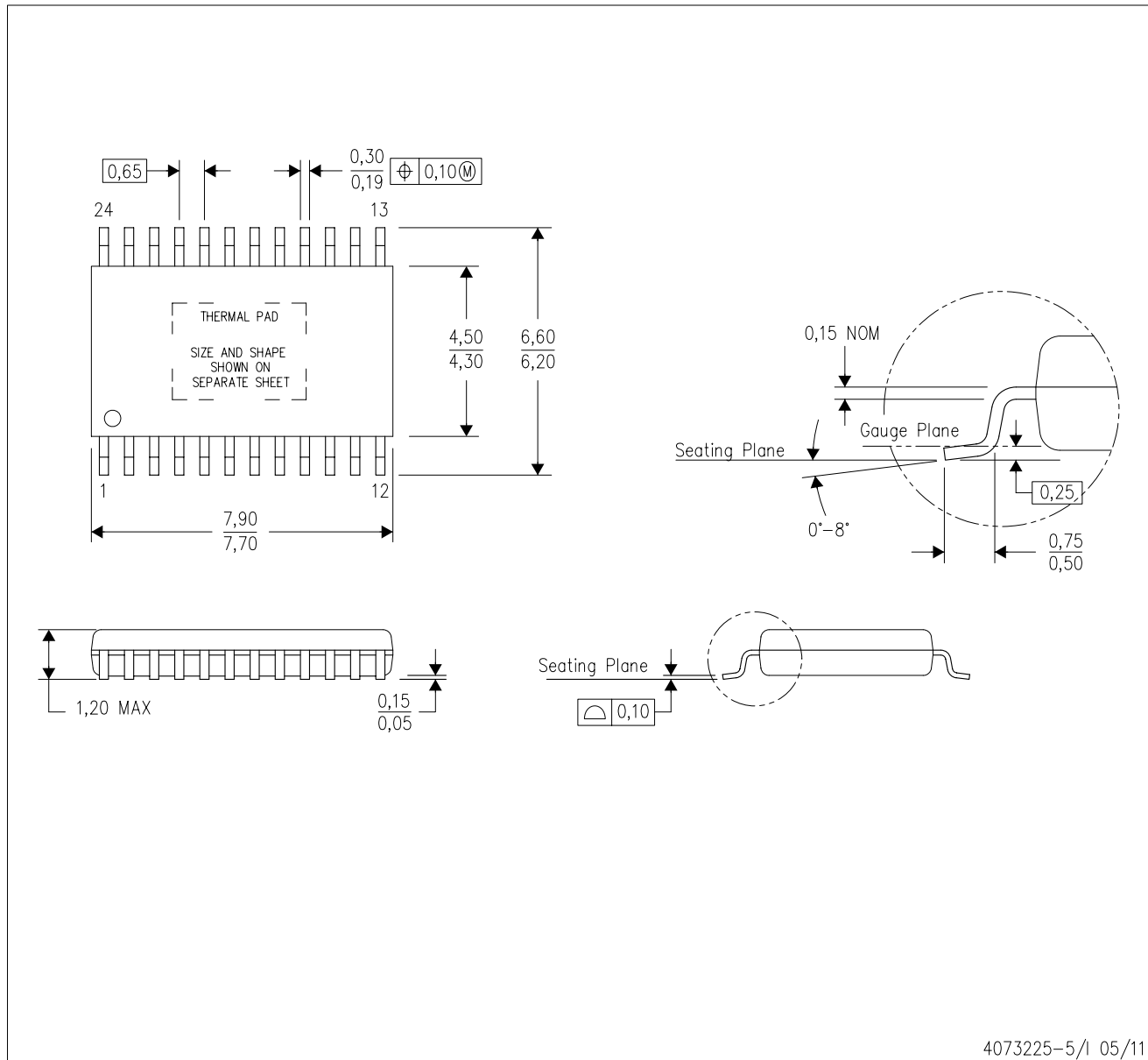
\*All dimensions are nominal

| Device       | Package Type | Package Drawing | Pins | SPQ  | Length (mm) | Width (mm) | Height (mm) |
|--------------|--------------|-----------------|------|------|-------------|------------|-------------|
| DRV10983PWPR | HTSSOP       | PWP             | 24   | 2000 | 367.0       | 367.0      | 38.0        |

# MECHANICAL DATA

PWP (R-PDSO-G24)

PowerPAD™ PLASTIC SMALL OUTLINE



- NOTES:
- All linear dimensions are in millimeters.
  - This drawing is subject to change without notice.
  - Body dimensions do not include mold flash or protrusions. Mold flash and protrusion shall not exceed 0.15 per side.
  - This package is designed to be soldered to a thermal pad on the board. Refer to Technical Brief, PowerPad Thermally Enhanced Package, Texas Instruments Literature No. SLMA002 for information regarding recommended board layout. This document is available at [www.ti.com](http://www.ti.com) <<http://www.ti.com>>.
  - See the additional figure in the Product Data Sheet for details regarding the exposed thermal pad features and dimensions.
  - Falls within JEDEC MO-153

PowerPAD is a trademark of Texas Instruments.

# THERMAL PAD MECHANICAL DATA

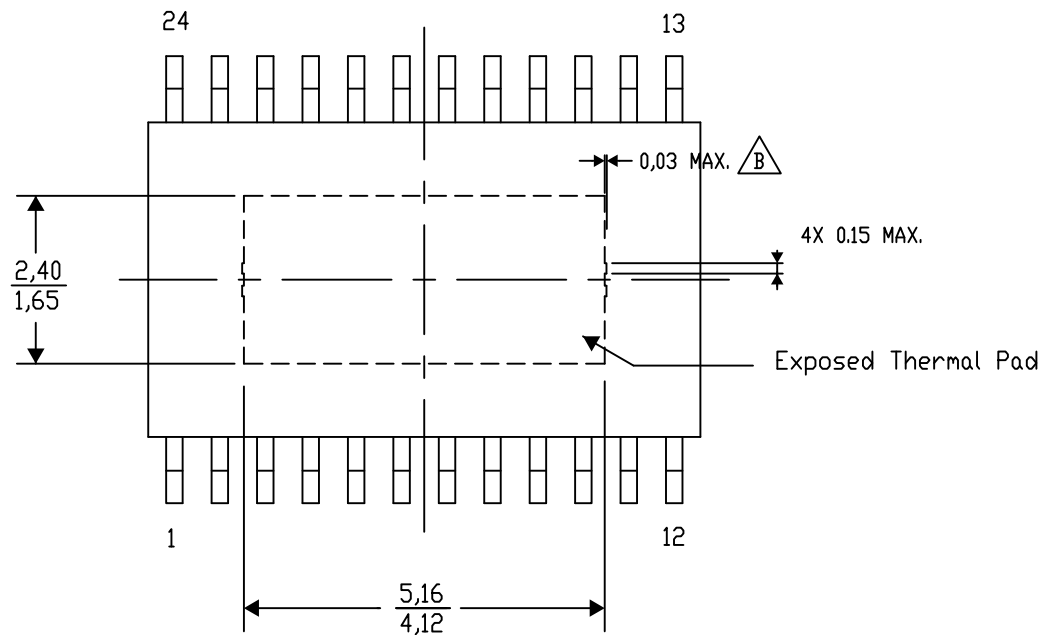
## PWP (R-PDSO-G24) PowerPAD™ SMALL PLASTIC OUTLINE

### THERMAL INFORMATION

This PowerPAD™ package incorporates an exposed thermal pad that is designed to be attached to a printed circuit board (PCB). The thermal pad must be soldered directly to the PCB. After soldering, the PCB can be used as a heatsink. In addition, through the use of thermal vias, the thermal pad can be attached directly to the appropriate copper plane shown in the electrical schematic for the device, or alternatively, can be attached to a special heatsink structure designed into the PCB. This design optimizes the heat transfer from the integrated circuit (IC).

For additional information on the PowerPAD package and how to take advantage of its heat dissipating abilities, refer to Technical Brief, PowerPAD Thermally Enhanced Package, Texas Instruments Literature No. SLMA002 and Application Brief, PowerPAD Made Easy, Texas Instruments Literature No. SLMA004. Both documents are available at [www.ti.com](http://www.ti.com).

The exposed thermal pad dimensions for this package are shown in the following illustration.




Top View

Exposed Thermal Pad Dimensions

4206332-29/AO 01/16

NOTE: A. All linear dimensions are in millimeters

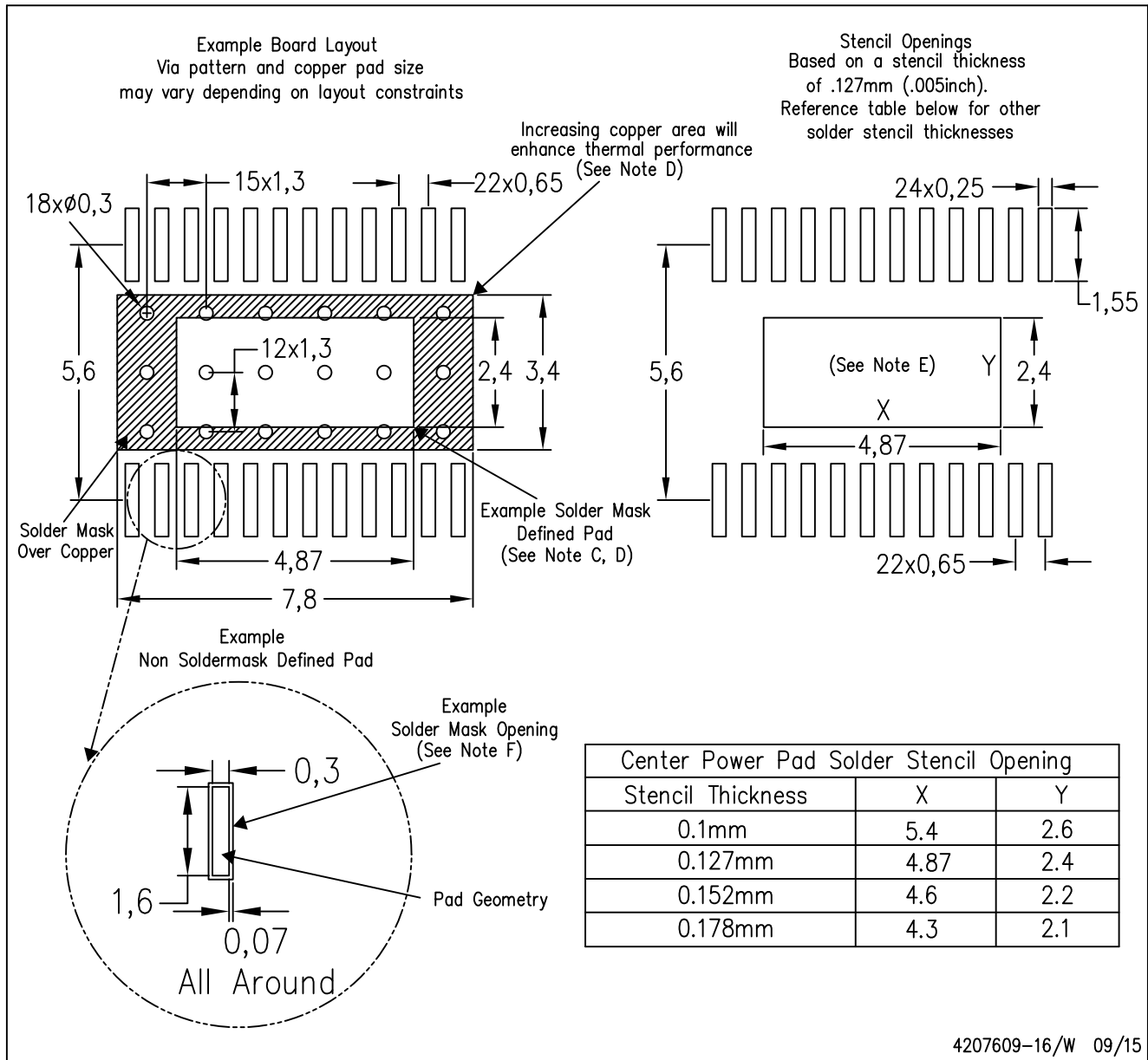
 B. Exposed tie strap features may not be present.

PowerPAD is a trademark of Texas Instruments



PWP (R-PDSO-G24)

PowerPAD™ PLASTIC SMALL OUTLINE



- NOTES:
- All linear dimensions are in millimeters.
  - This drawing is subject to change without notice.
  - Customers should place a note on the circuit board fabrication drawing not to alter the center solder mask defined pad.
  - This package is designed to be soldered to a thermal pad on the board. Refer to Technical Brief, PowerPAD Thermally Enhanced Package, Texas Instruments Literature No. SLMA002, SLMA004, and also the Product Data Sheets for specific thermal information, via requirements, and recommended board layout. These documents are available at [www.ti.com](http://www.ti.com) <<http://www.ti.com>>. Publication IPC-7351 is recommended for alternate designs.
  - Laser cutting apertures with trapezoidal walls and also rounding corners will offer better paste release. Customers should contact their board assembly site for stencil design recommendations. Example stencil design based on a 50% volumetric metal load solder paste. Refer to IPC-7525 for other stencil recommendations.
  - Customers should contact their board fabrication site for solder mask tolerances between and around signal pads.

# THERMAL PAD MECHANICAL DATA

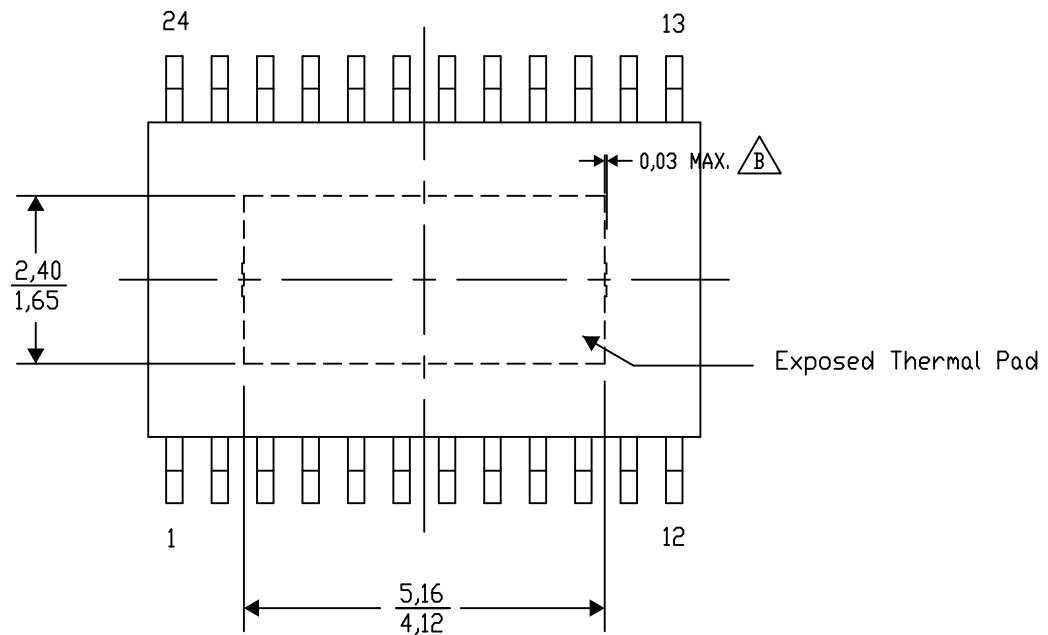
## PWP (R-PDSO-G24) PowerPAD™ SMALL PLASTIC OUTLINE

### THERMAL INFORMATION

This PowerPAD™ package incorporates an exposed thermal pad that is designed to be attached to a printed circuit board (PCB). The thermal pad must be soldered directly to the PCB. After soldering, the PCB can be used as a heatsink. In addition, through the use of thermal vias, the thermal pad can be attached directly to the appropriate copper plane shown in the electrical schematic for the device, or alternatively, can be attached to a special heatsink structure designed into the PCB. This design optimizes the heat transfer from the integrated circuit (IC).


For additional information on the PowerPAD package and how to take advantage of its heat dissipating abilities, refer to Technical Brief, PowerPAD Thermally Enhanced Package, Texas Instruments Literature No. SLMA002 and Application Brief, PowerPAD Made Easy, Texas Instruments Literature No. SLMA004. Both documents are available at [www.ti.com](http://www.ti.com).

The exposed thermal pad dimensions for this package are shown in the following illustration.



4206332-54/AO 01/16

NOTE: A. All linear dimensions are in millimeters

 B. Exposed tie strap features may not be present.

PowerPAD is a trademark of Texas Instruments

## IMPORTANT NOTICE

Texas Instruments Incorporated (TI) reserves the right to make corrections, enhancements, improvements and other changes to its semiconductor products and services per JESD46, latest issue, and to discontinue any product or service per JESD48, latest issue. Buyers should obtain the latest relevant information before placing orders and should verify that such information is current and complete.

TI's published terms of sale for semiconductor products (<http://www.ti.com/sc/docs/stdterms.htm>) apply to the sale of packaged integrated circuit products that TI has qualified and released to market. Additional terms may apply to the use or sale of other types of TI products and services.

Reproduction of significant portions of TI information in TI data sheets is permissible only if reproduction is without alteration and is accompanied by all associated warranties, conditions, limitations, and notices. TI is not responsible or liable for such reproduced documentation. Information of third parties may be subject to additional restrictions. Resale of TI products or services with statements different from or beyond the parameters stated by TI for that product or service voids all express and any implied warranties for the associated TI product or service and is an unfair and deceptive business practice. TI is not responsible or liable for any such statements.

Buyers and others who are developing systems that incorporate TI products (collectively, "Designers") understand and agree that Designers remain responsible for using their independent analysis, evaluation and judgment in designing their applications and that Designers have full and exclusive responsibility to assure the safety of Designers' applications and compliance of their applications (and of all TI products used in or for Designers' applications) with all applicable regulations, laws and other applicable requirements. Designer represents that, with respect to their applications, Designer has all the necessary expertise to create and implement safeguards that (1) anticipate dangerous consequences of failures, (2) monitor failures and their consequences, and (3) lessen the likelihood of failures that might cause harm and take appropriate actions. Designer agrees that prior to using or distributing any applications that include TI products, Designer will thoroughly test such applications and the functionality of such TI products as used in such applications.

TI's provision of technical, application or other design advice, quality characterization, reliability data or other services or information, including, but not limited to, reference designs and materials relating to evaluation modules, (collectively, "TI Resources") are intended to assist designers who are developing applications that incorporate TI products; by downloading, accessing or using TI Resources in any way, Designer (individually or, if Designer is acting on behalf of a company, Designer's company) agrees to use any particular TI Resource solely for this purpose and subject to the terms of this Notice.

TI's provision of TI Resources does not expand or otherwise alter TI's applicable published warranties or warranty disclaimers for TI products, and no additional obligations or liabilities arise from TI providing such TI Resources. TI reserves the right to make corrections, enhancements, improvements and other changes to its TI Resources. TI has not conducted any testing other than that specifically described in the published documentation for a particular TI Resource.

Designer is authorized to use, copy and modify any individual TI Resource only in connection with the development of applications that include the TI product(s) identified in such TI Resource. NO OTHER LICENSE, EXPRESS OR IMPLIED, BY ESTOPPEL OR OTHERWISE TO ANY OTHER TI INTELLECTUAL PROPERTY RIGHT, AND NO LICENSE TO ANY TECHNOLOGY OR INTELLECTUAL PROPERTY RIGHT OF TI OR ANY THIRD PARTY IS GRANTED HEREIN, including but not limited to any patent right, copyright, mask work right, or other intellectual property right relating to any combination, machine, or process in which TI products or services are used. Information regarding or referencing third-party products or services does not constitute a license to use such products or services, or a warranty or endorsement thereof. Use of TI Resources may require a license from a third party under the patents or other intellectual property of the third party, or a license from TI under the patents or other intellectual property of TI.

TI RESOURCES ARE PROVIDED "AS IS" AND WITH ALL FAULTS. TI DISCLAIMS ALL OTHER WARRANTIES OR REPRESENTATIONS, EXPRESS OR IMPLIED, REGARDING RESOURCES OR USE THEREOF, INCLUDING BUT NOT LIMITED TO ACCURACY OR COMPLETENESS, TITLE, ANY EPIDEMIC FAILURE WARRANTY AND ANY IMPLIED WARRANTIES OF MERCHANTABILITY, FITNESS FOR A PARTICULAR PURPOSE, AND NON-INFRINGEMENT OF ANY THIRD PARTY INTELLECTUAL PROPERTY RIGHTS. TI SHALL NOT BE LIABLE FOR AND SHALL NOT DEFEND OR INDEMNIFY DESIGNER AGAINST ANY CLAIM, INCLUDING BUT NOT LIMITED TO ANY INFRINGEMENT CLAIM THAT RELATES TO OR IS BASED ON ANY COMBINATION OF PRODUCTS EVEN IF DESCRIBED IN TI RESOURCES OR OTHERWISE. IN NO EVENT SHALL TI BE LIABLE FOR ANY ACTUAL, DIRECT, SPECIAL, COLLATERAL, INDIRECT, PUNITIVE, INCIDENTAL, CONSEQUENTIAL OR EXEMPLARY DAMAGES IN CONNECTION WITH OR ARISING OUT OF TI RESOURCES OR USE THEREOF, AND REGARDLESS OF WHETHER TI HAS BEEN ADVISED OF THE POSSIBILITY OF SUCH DAMAGES.

Unless TI has explicitly designated an individual product as meeting the requirements of a particular industry standard (e.g., ISO/TS 16949 and ISO 26262), TI is not responsible for any failure to meet such industry standard requirements.

Where TI specifically promotes products as facilitating functional safety or as compliant with industry functional safety standards, such products are intended to help enable customers to design and create their own applications that meet applicable functional safety standards and requirements. Using products in an application does not by itself establish any safety features in the application. Designers must ensure compliance with safety-related requirements and standards applicable to their applications. Designer may not use any TI products in life-critical medical equipment unless authorized officers of the parties have executed a special contract specifically governing such use. Life-critical medical equipment is medical equipment where failure of such equipment would cause serious bodily injury or death (e.g., life support, pacemakers, defibrillators, heart pumps, neurostimulators, and implantables). Such equipment includes, without limitation, all medical devices identified by the U.S. Food and Drug Administration as Class III devices and equivalent classifications outside the U.S.

TI may expressly designate certain products as completing a particular qualification (e.g., Q100, Military Grade, or Enhanced Product). Designers agree that it has the necessary expertise to select the product with the appropriate qualification designation for their applications and that proper product selection is at Designers' own risk. Designers are solely responsible for compliance with all legal and regulatory requirements in connection with such selection.

Designer will fully indemnify TI and its representatives against any damages, costs, losses, and/or liabilities arising out of Designer's non-compliance with the terms and provisions of this Notice.