

# AI 6 -18 GN - Ferrule



3200111

<https://www.phoenixcontact.com/us/products/3200111>

Please be informed that the data shown in this PDF document is generated from our online catalog. Please find the complete data in the user documentation. Our general terms of use for downloads are valid.

Ferrule, Length contact range: 18 mm, sleeve length: 26 mm, color: green



## Your advantages

- In terms of dimensions, these ferrules conform to DIN 46228-4: 1990-09
- The color code of the plastic insulating collar is based on the French standard NF C 63-023: 1994-02
- The metal sleeves are made from soft tin-plated electrolytic copper

## Commercial data

|                                      |                     |
|--------------------------------------|---------------------|
| Item number                          | 3200111             |
| Packing unit                         | 100 pc              |
| Minimum order quantity               | 100 pc              |
| Sales key                            | BH34                |
| Product key                          | BH3411              |
| Catalog page                         | Page 482 (C-3-2019) |
| GTIN                                 | 4017918093761       |
| Weight per piece (including packing) | 0.54 g              |
| Weight per piece (excluding packing) | 0.54 g              |
| Customs tariff number                | 85369010            |
| Country of origin                    | DE                  |

# AI 6 -18 GN - Ferrule

3200111

<https://www.phoenixcontact.com/us/products/3200111>

## Technical data

### Product properties

|                    |   |
|--------------------|---|
| Product type       | Cable end sleeve                                |
| Conductor category | stranded conductors, class 2, 5, 6 / B, C, K, M |

### Data management status

|                  |    |
|------------------|----|
| Article revision | 06 |
|------------------|----|

### Connection data

#### Conductor connection

|                                       |                   |
|---------------------------------------|-------------------|
| Conductor cross section flexible max. | 6 mm <sup>2</sup> |
| Conductor cross section AWG max.      | 10                |
| Stripping length                      | 21 mm             |

### Dimensions

|   |  |
|---|--|
| Dimensional drawing                       |  |
| Sleeve length                             | 26 mm  |
| Length contact range                      | 18 mm  |
| Maximum stripping length                  | 21 mm  |
| Ferrule diameter                          | 3.5 mm   |
| Sleeve wall thickness                     | 0.2 mm   |
| Insulating collar thickness               | 0.3 mm   |
| Inner dimensions of the insulating collar | 6.2 mm   |

### Material specifications

|  |                                |
|--|--------------------------------|
| Color                                  | green (RAL 6021)               |
| Material                               | CU-DHP                         |
| Flammability rating according to UL 94 | HB                             |
| Coating                                | tin-plated (galvanic)          |
| Insulating material                    | Polypropylen                   |
| Surface characteristics                | Tin-plated                     |
| Components                             | free from silicone and halogen |

### Mechanical properties

#### Technical data

|               |       |
|---------------|-------|
| Sleeve length | 26 mm |
|---------------|-------|

### Environmental and real-life conditions

# AI 6 -18 GN - Ferrule



3200111

<https://www.phoenixcontact.com/us/products/3200111>

## Ambient conditions

|                        |   |
|------------------------|---|
| Permanent temperature  | 105 °C (-40 °C no load / 0 °C dynamic load) |
| Short-term temperature | 120 °C                                      |

## Standards and regulations

|                              |                        |
|------------------------------|------------------------|
| Design according to standard | UL 486F-E, NF C 63-023 |
|------------------------------|------------------------|

# AI 6 -18 GN - Ferrule

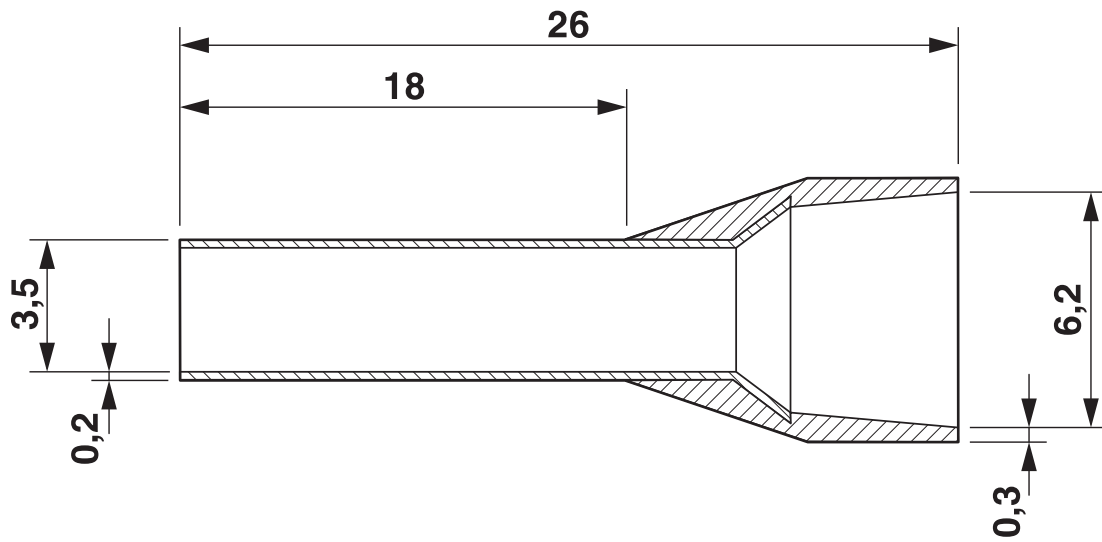
3200111

<https://www.phoenixcontact.com/us/products/3200111>



## Drawings

Dimensional drawing



# AI 6 -18 GN - Ferrule

3200111

<https://www.phoenixcontact.com/us/products/3200111>



## Approvals

To download certificates, visit the product detail page: <https://www.phoenixcontact.com/us/products/3200111>



**cULus Listed**

Approval ID: E488001

# AI 6 -18 GN - Ferrule



3200111

<https://www.phoenixcontact.com/us/products/3200111>

## Classifications

### ECLASS

|             |          |
|-------------|----------|
| ECLASS-11.0 | 27400201 |
| ECLASS-13.0 | 27400201 |
| ECLASS-12.0 | 27400201 |

### ETIM

|          |          |
|----------|----------|
| ETIM 9.0 | EC000005 |
|----------|----------|

### UNSPSC

|             |          |
|-------------|----------|
| UNSPSC 21.0 | 27121700 |
|-------------|----------|

# AI 6 -18 GN - Ferrule



3200111

<https://www.phoenixcontact.com/us/products/3200111>

## Environmental product compliance

### EU RoHS

|   |                    |
|---|--------------------|
| Fulfills EU RoHS substance requirements | Yes, No exemptions |
|---|--------------------|

### China RoHS

|  |  |
|--|--|
| Environment friendly use period (EFUP) | EFUP-E                                   |
|  | No hazardous substances above the limits |

### EU REACH SVHC

|                                     |                            |
|-------------------------------------|----------------------------|
| REACH candidate substance (CAS No.) | No substance above 0.1 wt% |
|-------------------------------------|----------------------------|

Phoenix Contact 2024 © - all rights reserved  
<https://www.phoenixcontact.com>

Phoenix Contact USA  
586 Fulling Mill Road  
Middletown, PA 17057, United States  
(+717) 944-1300  
[info@phoenixcon.com](mailto:info@phoenixcon.com)