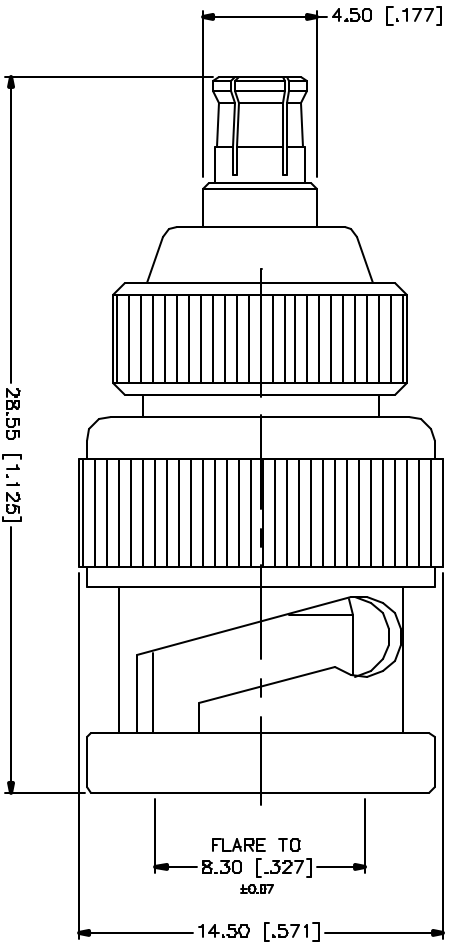


REV.	DATE	DESCRIPTION
NC	06/16/04	UPDATE DRAWING FORMAT



NO.	DESCRIPTION	MATERIAL	FINISH	QTY
8				
7				
6				
5				
4				
3	CONTACT PIN	BERL COPPER	GOLD	1
2	INSULATOR	TEFLON	NATURAL	1
1	BODY	BRASS	NICKEL	1
	DESCRIPTION	MATERIAL	FINISH	QTY

UNLESS OTHERWISE SPECIFIED, DIMENSIONS ARE IN INCHES AND FOR DECIMALS, FRACTIONS ARE TO BE USED FOR ALL DIMENSIONS.	UNLESS OTHERWISE SPECIFIED, DIMENSIONS ARE IN MILLIMETERS AND FOR DECIMALS, FRACTIONS ARE TO BE USED FOR ALL DIMENSIONS.
TOLERANCES FOR DIMENSIONS ARE:	TOLERANCES FOR DIMENSIONS ARE:
0/3 - 8/16 ± 0.20mm	0/3 - 8/16 ± 0.007"
8 - 30mm ± 0.40mm	8 - 30mm ± 0.015"
30 - 120mm ± 0.50mm	30 - 120mm ± 0.020"
1.180 - 4.724 ± 0.020"	1.180 - 4.724 ± 0.020"

APPROVALS	DATE
DRAWN G.R.S.	06/16/04
CHECKED	
ISSUED	
SHEET 1 OF 1	

DWG. NO.	REV. NC	SIZE	SCALE
242205.DWG		A	NA

PART DESCRIPTION	PART NO.
BNC PLUG TO MCX PLUG ADAPTER	242205

Amphenol Connex