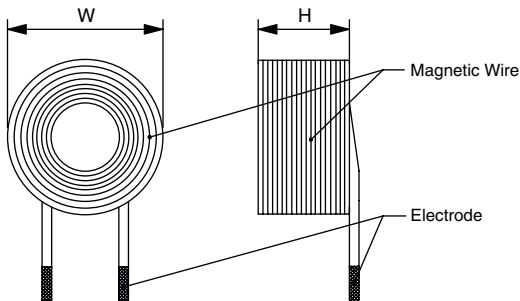


features

- Wirewound coil keeps its shape even if neither core nor bobbin are used
- Custom product available
- Provide a stable shape coil by the original winding technology
- Products meet EU RoHS requirements

dimensions and construction



Type	Dimensions inches (mm)		Inductance (μH)
	W	H	
LWA1006	.394 (10)	.236 (6)	550
LWAxxx	.196 ~ 1.18 (5 ~ 30)	.039 ~ .236 (1 ~ 6)	1 ~ 1000

ordering information

New Part #	LWA	1006	C	TED	551	J
	Type	Style W X H (mm)	Termination Surface Material C: Sn/Cu	Packaging TED: embossed plastic 250 pieces/reel (Contact factory for packaging specifications)	Nominal Inductance 3 digits 551: 550μH	Tolerance J: ±5% K: ±10% M: ±20%

applications and ratings

Type	Nominal Inductance (μH)	Inductance Tolerance	Measuring Frequency (kHz)	DC Resistance Maximum (Ω)	Allowable DC Current Maximum (mA)
LWA1006	550	J: ±5%	10	6.7	200

Operating Temperature Range: -40°C ~ +85°C

The operating temperature range of the coil (ambient temperature + self heating) must remain at +85°C or less

environmental applications

Performance Characteristics

Parameter	Requirements Maximum Δ L/L		Test Method
	Limit	Typical	
Rapid Change of Temperature	Δ L/L: ±5% No significant abnormality in appearance	Δ L/L: ±0.74%	-40°C (30min.)/ +85°C (30min.) 100 cycles
Low Temperature Exposure	Δ L/L: ±5% No significant abnormality in appearance	Δ L/L: ±0.32%	-40°C ± 2°C, 100h
High Temperature Exposure	Δ L/L: ±5% No significant abnormality in appearance	Δ L/L: ±0.42%	85°C ± 2°C, 100h
Moisture Exposure	Δ L/L: ±5% No significant abnormality in appearance	Δ L/L: ±0.51%	40°C ± 2°C, 90%~95%RH, 100h

For complete environmental specifications, please refer to www.koaspeer.com

Mouser Electronics

Authorized Distributor

Click to View Pricing, Inventory, Delivery & Lifecycle Information:

[KOA Speer:](#)

[LWA1006CTED551J](#)