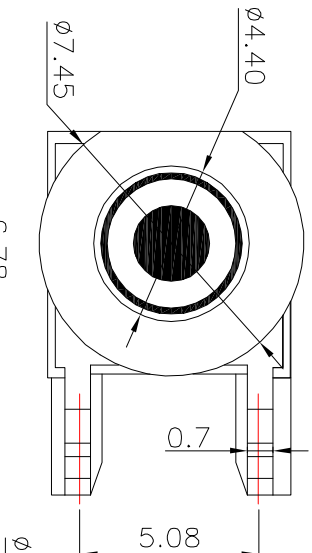
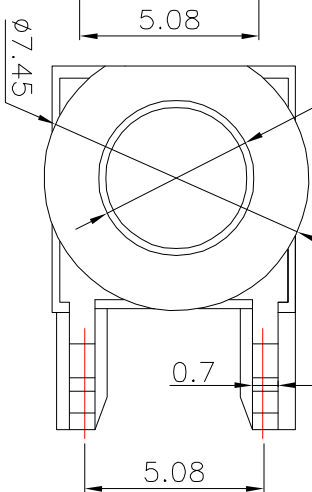


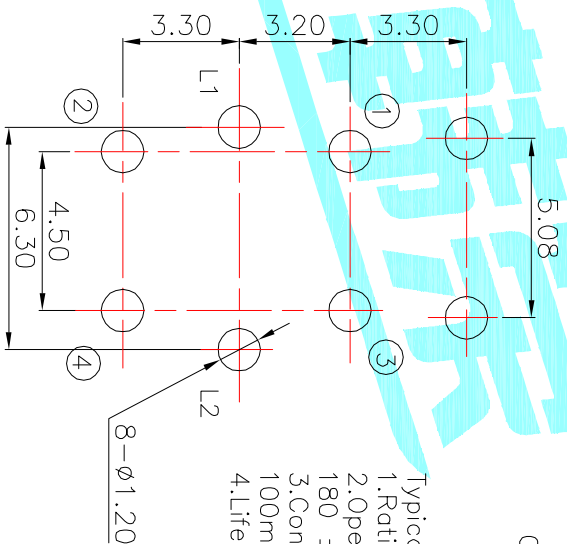
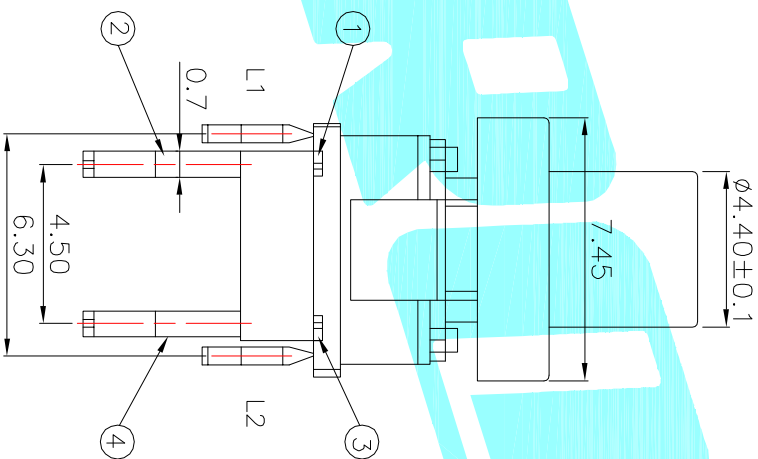
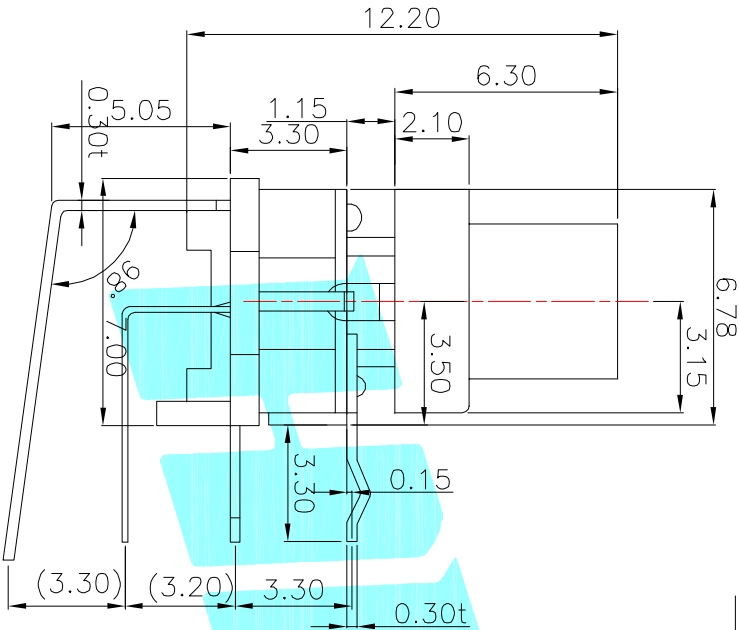
帽子喷涂银色



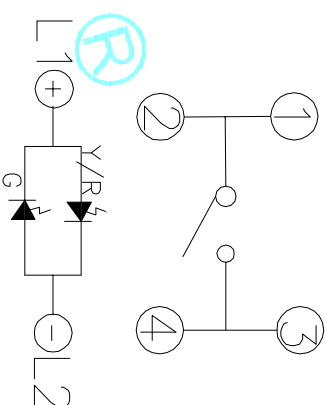
本色



LED colour(LED颜色)	Part No. (料号)
White(白色)	K6-6156F01
Red(红色)	K6-6156F02
Blue(蓝色)	K6-6156F03
Green(绿色)	K6-6156F04
Yellow/Green(黄/绿色)	K6-6156F05
Red/Green(红/绿色)	K6-6156F06



PCB layout (Pattern Side)



Circuit Diagram

- Typical Specifications
1. Rating : DC 12V 50mA
 2. Operating Force : 180 ± 30 gf
 3. Contact Resistance : 100mΩMAX
 4. Life : 300,000 Cycles Min

ITEM	PART NAME	TERN.O.	QTY.	MATERIAL	FINISHING	REMARK
②	Terminal		4	Phosphor bronze	Au Plating	
①	Housing		1	Nylon	Black	

APPROVALS	DATE	TITLE
DRAWN J.X.Zhang	2013/11/11	LED Tact Switch

ELECTRONICS CO.,LTD



ECN NO.	REV.	DATE.	DESCRIPTION.	CHANGE.	CHECK.	APPRO.
	A		NEW			
APPROVALS			PART NO.	TITLE:		
TOLERANCES ARE			SCALE: 1:1	DRAWING NO.		
30~12.5 ±			PROJ:	SHEET 1 OF 1		
10~30 ±0.20						
5~10 ±0.15						
~5 ±0.10						