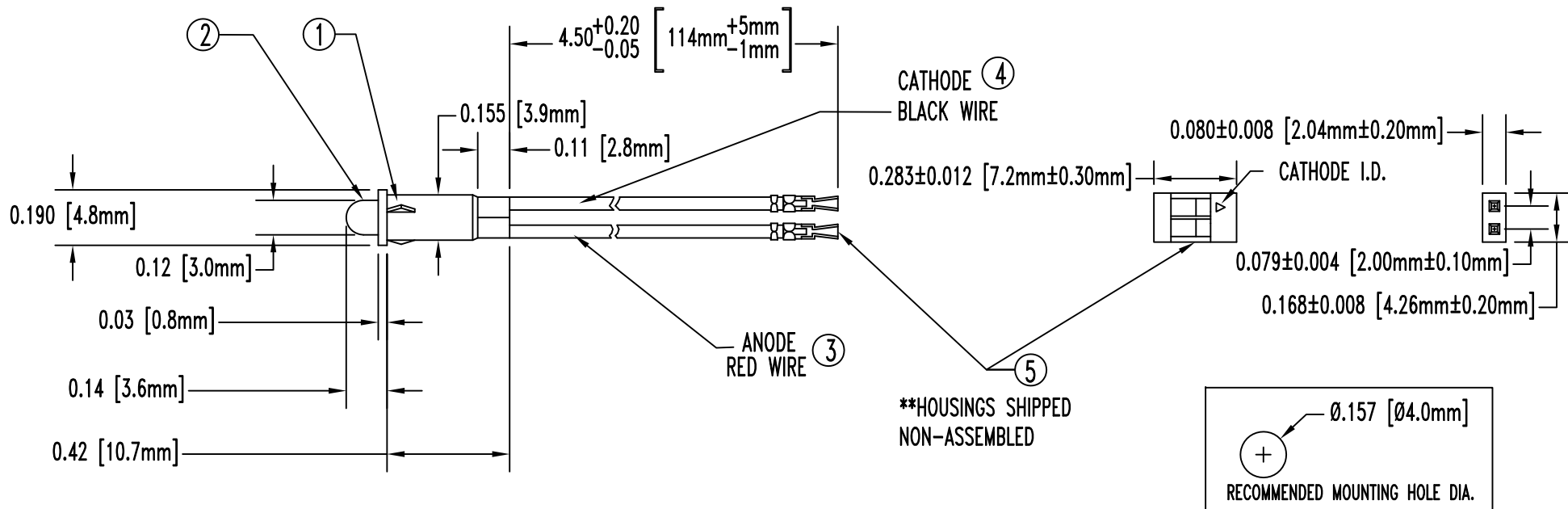


ITEM	Q'TY	PART NUMBER	PART DESCRIPTION
1	1	PM3	LED HOLDER, PANEL MOUNT, PRESS FIT, (3mm)
2	1	3GDL-S	T-1 (3mm) LED, GREEN
3	1	BWS24-1061-RD	24AWG WIRE LEAD U.L. 1061, RED
4	1	BWS24-1061-BK	24AWG WIRE LEAD U.L. 1061, BLACK
5	1	CBK2	LEOCO HOUSING# 2065S020000, PITCH 2mm, 1X LEOCO TERMINAL# 2065TPB0000(REEL) 2065TPB00A0(BULK), 2X

REV	DESCRIPTION	DATE	APPROVED
A	ENGINEERING RELEASE.	01/17/03	MC
B	PROJECTION VIEW UPDATE.	01/22/03	MC
C	ECO#352, MOD. HSG. TO MEET LEOCO REV. CHANGE	01/28/03	MC
D	ADDED -S TO 3GDL IN BOM AND TABLE	12/18/12	TY



LED Part No.	Chip			Lens Appearance	Absolute Max. Ratings			Electro-Optical Data @ 20mA			Viewing Angle (Deg.)
	Material	Emitted Color	Peak Wave Length λ_P (nm)		$\Delta\lambda$ (nm)	Pd (mW)	If (Typ) (mA)	Vf (V)		Iv (mcd)	
3GDL-S	GaP/GaP	GREEN	565	DIFFUSED	30	10	5	Typ.	Max.	Typ.	45

ABSOLUTE MAXIMUM RATINGS ($T_a=25^\circ\text{C}$)

REVERSE VOLTAGE _____ 5V

REVERSE CURRENT ($V_R=5V$) _____ 100uA

OPERATING TEMPERATURE RANGE _____ -25°C ~ 85°C

STORAGE TEMPERATURE _____ -30°C ~ 100°C

LEAD SOLDERING TEMPERATURE(1/16" FROM BODY) _____ 260°C FOR 5 SECONDS

UNLESS OTHERWISE SPECIFIED: DIMENSIONS ARE IN INCHES	
TOLERANCES	
DECIMALS	ANGULAR
.X ± .1	X° ± 1°
.XX ± .02	
.XXX ± .010	

Bivar[®]

4 THOMAS, IRVINE, CA.92618
TEL: (949) 951-8808 FAX: (949) 951-3974

PART NAME: T-1 (3mm) PANEL MOUNT

DESIGNER DAVID GREEN	DATE 01/17/03	SIZE A	DWG NAME	DWG NO. PM3GDLW4.5-CBK2	REV D
CHECKER M CHEN	DATE 01/17/03	SCALE 1=1	CAGE CODE 32559	SHEET 1 OF 1	