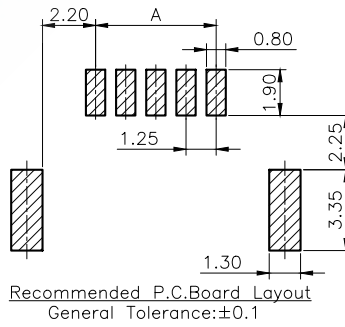
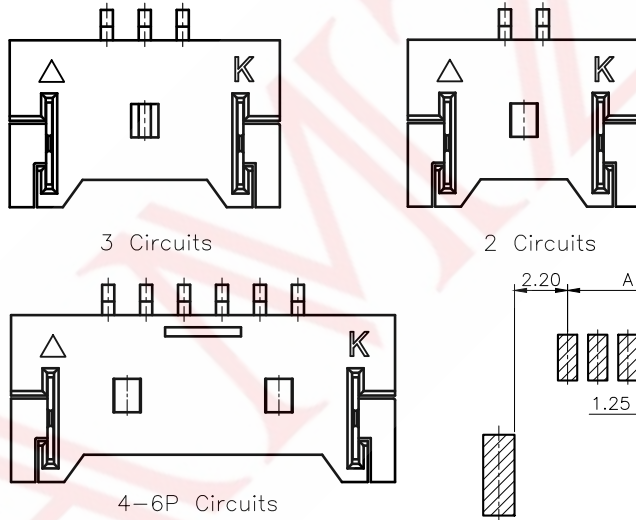
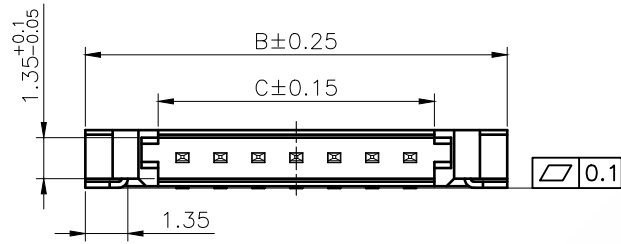
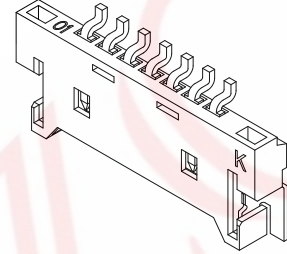
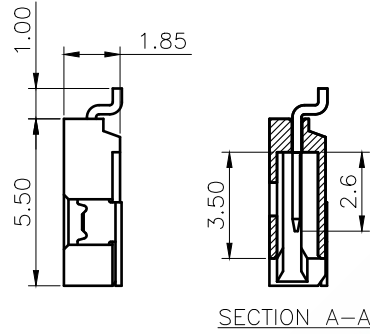
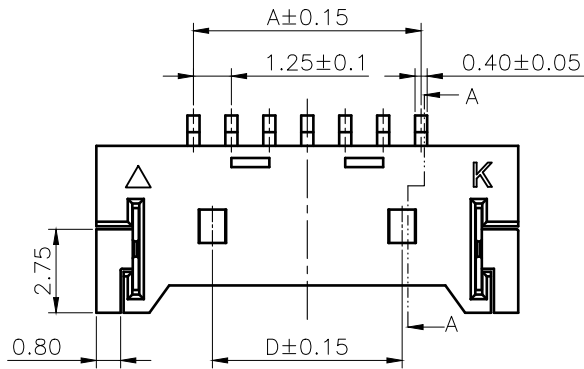


SAMZO REAC/ROHS

REV	ECN NO	DESCRIPTION	DESIGN	APPROVAL	DATE
A1	NEW	Replace frame			2013.06.21

- ◆ SPECIFICATIONS
- Current rating: 1A AC, DC
 - Voltage rating: 125V AC, DC
 - Temperature range: -25°C ~ +85°C
 - Insulation resistance: 100MΩ Min.
 - Withstanding voltage: 500V AC/ minute.
 - Contact resistance: 20mΩ Max.



CKT.	Dimensions			
	A	B	C	D
02	1.25	7.65	2.85	
03	2.50	8.90	4.10	
04	3.75	10.15	5.35	2.50
05	5.00	11.40	6.60	3.75
06	6.25	12.65	7.85	5.00
07	7.50	13.90	9.10	6.25
08	8.75	15.15	10.35	7.50
09	10.00	16.40	11.60	8.75
10	11.25	17.65	12.85	10.00
12	13.75	20.15	15.35	12.50
14	16.25	22.65	17.85	15.00
15	17.50	23.90	19.10	16.25
18	21.25	27.65	22.85	20.00
20	23.75	30.15	25.35	22.50
30	36.25	42.65	37.85	22.50

A. SERISE: 6G-ULTRA-THIN
 B. SPACING: H-1.25mm
 C. MOUNTING: D-WT
 D. STANDARD: A-WAFER
 E: PIN: 02-2P (02-30P)
 F: CODE: 0-GILDED/1-SILVER

6G H D A ** *

A B C D E F

ITEM	DESCRIPTION	MATERIAL	QTY	FINISH/COLOR	GENERAL TOLERANCE			
1	针脚	磷铜	N	高温亮锡				
2	主体	PA6T	1	XXX				
3	左焊片	磷铜	1	高温亮锡	≥0~2<	±0.15		
4	右焊片	磷铜	1	高温亮锡	DESIGN	WANGGUIFA	2018.06.12	≥2~5<
					CHECKED	ZHENGUILAN	2018.06.12	≥0~2<
					APPROVED	LILIANJIANG	2018.06.14	≥5

FIRST VIEW

SCALE: 1:1 UNIT: mm

SAMZO COMPONENTS
 Electronic switch and connector manufacturer

The copyright belongs to samzo parts [China] Co., Ltd. please use the material after samzo parts agree to authorize. The final right of interpretation belongs to samzo parts. WWW.KKK-JP.COM

TITLE: **ULTRA-THIN1.25-WT**

DWG NO: **6GHD-P130**

PART NO: **6GHD130611**

MODEL NO: **6GHDA-**-***

NAME: **WAFER CONNECTOR**