

# VS-15-ST-DSUB-LH-B - D-SUB contact insert



1654808

<https://www.phoenixcontact.com/us/products/1654808>

Please be informed that the data shown in this PDF document is generated from our online catalog. Please find the complete data in the user documentation. Our general terms of use for downloads are valid.

D-SUB contact insert, shell size 2, with 15 signal contacts, type of contact pin, for PCB assembly, angled, fixing with a 2.5 mm hole and solder metal plate, for panel mounting frame VS-15-...



## Your advantages

- D-SUB 15 connection
- Easy assembly
- Direct PCB connection
- Compatible with IP67 panel-mount frame

## Commercial data

Item number	1654808
Packing unit	10 pc
Minimum order quantity	10 pc
Sales key	AB19
Product key	ABNCAA
Catalog page	Page 211 (C-2-2013)
GTIN	4017918989194
Weight per piece (including packing)	14.19 g
Weight per piece (excluding packing)	10.46 g
Customs tariff number	85369010
Country of origin	DE

# VS-15-ST-DSUB-LH-B - D-SUB contact insert



1654808

<https://www.phoenixcontact.com/us/products/1654808>

## Technical data

### Product properties

Product type	Male insert
Type	D-SUB
Number of positions	15
Connection profile	D-SUB
Type	Male
Shielded	no

### Insulation characteristics

Overvoltage category	III
Degree of pollution	2

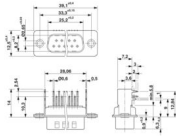
### Electrical properties

Rated voltage in acc. with IEC 61076-2-101	400 V
Rated voltage (III/3)	125 V
Rated surge voltage	1 kV
Rated current	5 A (at 20 °C)
Test voltage	1200 V
Transmission medium	Copper

### Connection data

Connection method	PCB connection
-------------------	----------------

### Dimensions

Dimensional drawing	
Width	19.1 mm
Height	13 mm
Length	39.52 mm

### Material specifications

Flammability rating according to UL 94	V0
Housing material	Steel, tin-plated
Contact material	Copper alloy
Contact surface material	Gold over nickel
Contact carrier material	PBT-GF

### Mechanical properties

#### Mechanical data

# VS-15-ST-DSUB-LH-B - D-SUB contact insert



1654808

<https://www.phoenixcontact.com/us/products/1654808>

Insertion/withdrawal cycles	$\geq 200$
Insertion force per signal contact	$\leq 3.40 \text{ N}$

## Environmental and real-life conditions

### Ambient conditions

Degree of protection	IP20
Ambient temperature (operation)	-55 °C ... 125 °C

## Mounting

Mounting type	Hole and solder metal plate
---------------	-----------------------------

# VS-15-ST-DSUB-LH-B - D-SUB contact insert

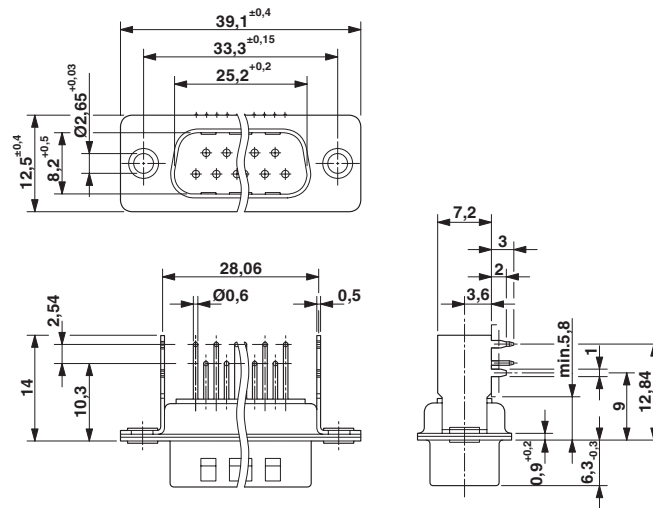


1654808

<https://www.phoenixcontact.com/us/products/1654808>

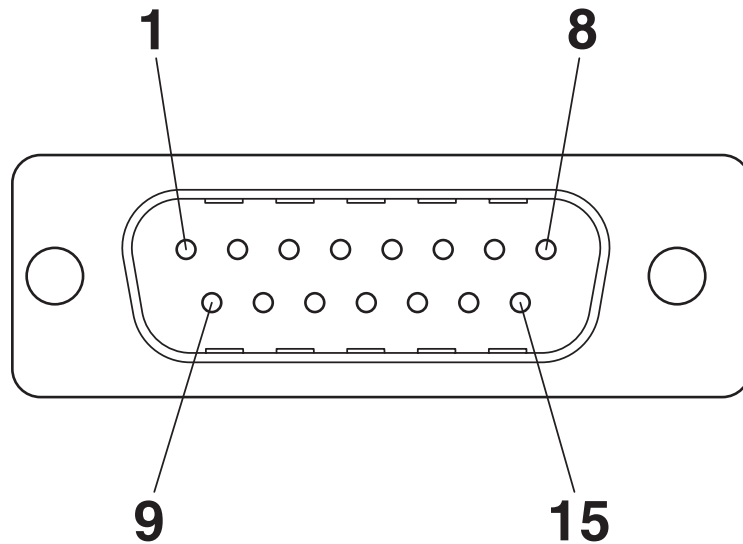
## Drawings

Dimensional drawing



D-SUB contact insert

Schematic diagram

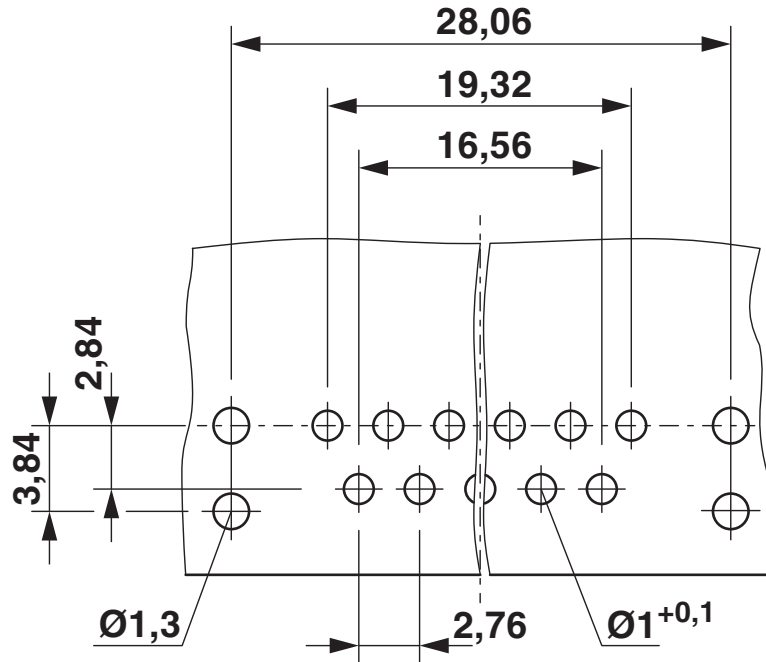


# VS-15-ST-DSUB-LH-B - D-SUB contact insert

1654808

<https://www.phoenixcontact.com/us/products/1654808>

Drilling plan/solder pad geometry



Drilling diagram

# VS-15-ST-DSUB-LH-B - D-SUB contact insert



1654808

<https://www.phoenixcontact.com/us/products/1654808>

## Approvals

To download certificates, visit the product detail page: <https://www.phoenixcontact.com/us/products/1654808>



**UL Recognized**

Approval ID: FILE E 118976

# VS-15-ST-DSUB-LH-B - D-SUB contact insert



1654808

<https://www.phoenixcontact.com/us/products/1654808>

## Classifications

### ECLASS

ECLASS-11.0	27440223
ECLASS-12.0	27440223
ECLASS-13.0	27440223

### ETIM

ETIM 9.0	EC003557
----------	----------

### UNSPSC

UNSPSC 21.0	39121400
-------------	----------

# VS-15-ST-DSUB-LH-B - D-SUB contact insert



1654808

<https://www.phoenixcontact.com/us/products/1654808>

## Environmental product compliance

### EU RoHS

Fulfills EU RoHS substance requirements	Yes
Exemption	6(c)

### China RoHS

Environment friendly use period (EFUP)	EFUP-50
	An article-related China RoHS declaration table can be found in the download area for the respective article under "Manufacturer declaration". For all articles with EFUP-E, no China RoHS declaration table issued and required.

### EU REACH SVHC

REACH candidate substance (CAS No.)	Lead(CAS: 7439-92-1)
SCIP	2de071b9-7a97-4097-ab6e-829066a01ce1



# VS-15-ST-DSUB-LH-B - D-SUB contact insert



1654808

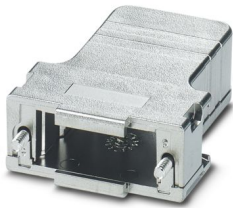
<https://www.phoenixcontact.com/us/products/1654808>

## Accessories

### CUC-DST-GPME-S/DSSC15 - D-SUB sleeve housings

1419710

<https://www.phoenixcontact.com/us/products/1419710>



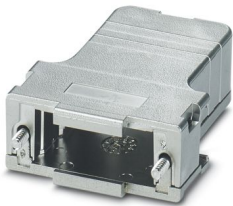
D-SUB sleeve housings, degree of protection: IP20, material: ABS, metal-plated, cable outlet: straight, housing size: 2, color: Bare metallic

---

### CUC-DST-GPME-A/DSSC15 - D-SUB sleeve housings

1419718

<https://www.phoenixcontact.com/us/products/1419718>



D-SUB sleeve housings, degree of protection: IP20, material: ABS, metal-plated, cable outlet: angled, housing size: 2, color: Bare metallic

# VS-15-ST-DSUB-LH-B - D-SUB contact insert

1654808

<https://www.phoenixcontact.com/us/products/1654808>



## CUC-DST-GZNI-S/DSSC15 - D-SUB sleeve housings

1419724

<https://www.phoenixcontact.com/us/products/1419724>



D-SUB sleeve housings, degree of protection: IP20, material: Zinc die-cast, cable outlet: straight, housing size: 2, color: Bare metallic

---

## CUC-DST-GZNI-A/DSSC15 - D-SUB sleeve housings

1419725

<https://www.phoenixcontact.com/us/products/1419725>



D-SUB sleeve housings, degree of protection: IP20, material: Zinc die-cast, cable outlet: angled, housing size: 2, color: Bare metallic

# VS-15-ST-DSUB-LH-B - D-SUB contact insert

1654808

<https://www.phoenixcontact.com/us/products/1654808>



## VS-15-A - Panel mounting frames

1688036

<https://www.phoenixcontact.com/us/products/1688036>

D-SUB panel mounting frame, shell size 2, IP67 degree of protection



---

## VS-15-BU-DSUB-LH-B - D-SUB contact insert

1654811

<https://www.phoenixcontact.com/us/products/1654811>

D-SUB contact insert, shell size 2, with 15 signal contacts, type of contact socket, for PCB assembly, angled, fixing with a 2.5 mm hole and solder metal plate, for panel mounting frame VS-15-...



---

Phoenix Contact 2024 © - all rights reserved  
<https://www.phoenixcontact.com>

Phoenix Contact USA  
586 Fulling Mill Road  
Middletown, PA 17057, United States  
(+717) 944-1300  
[info@phoenixcon.com](mailto:info@phoenixcon.com)