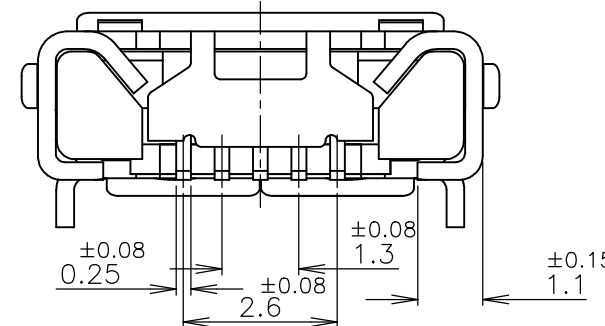
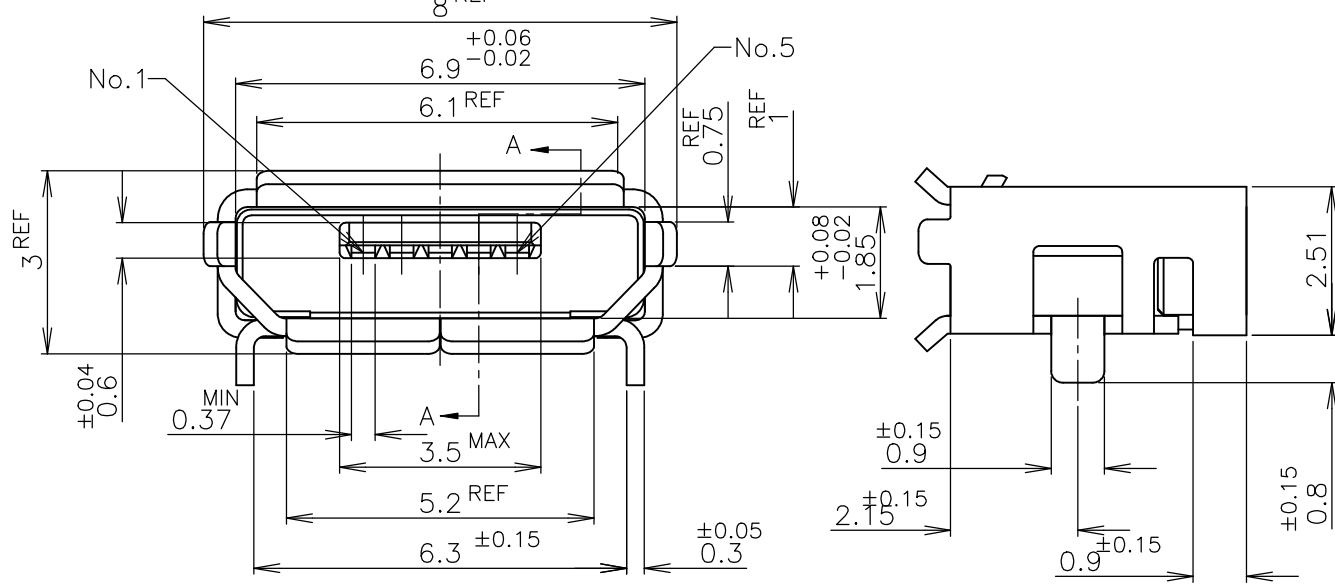
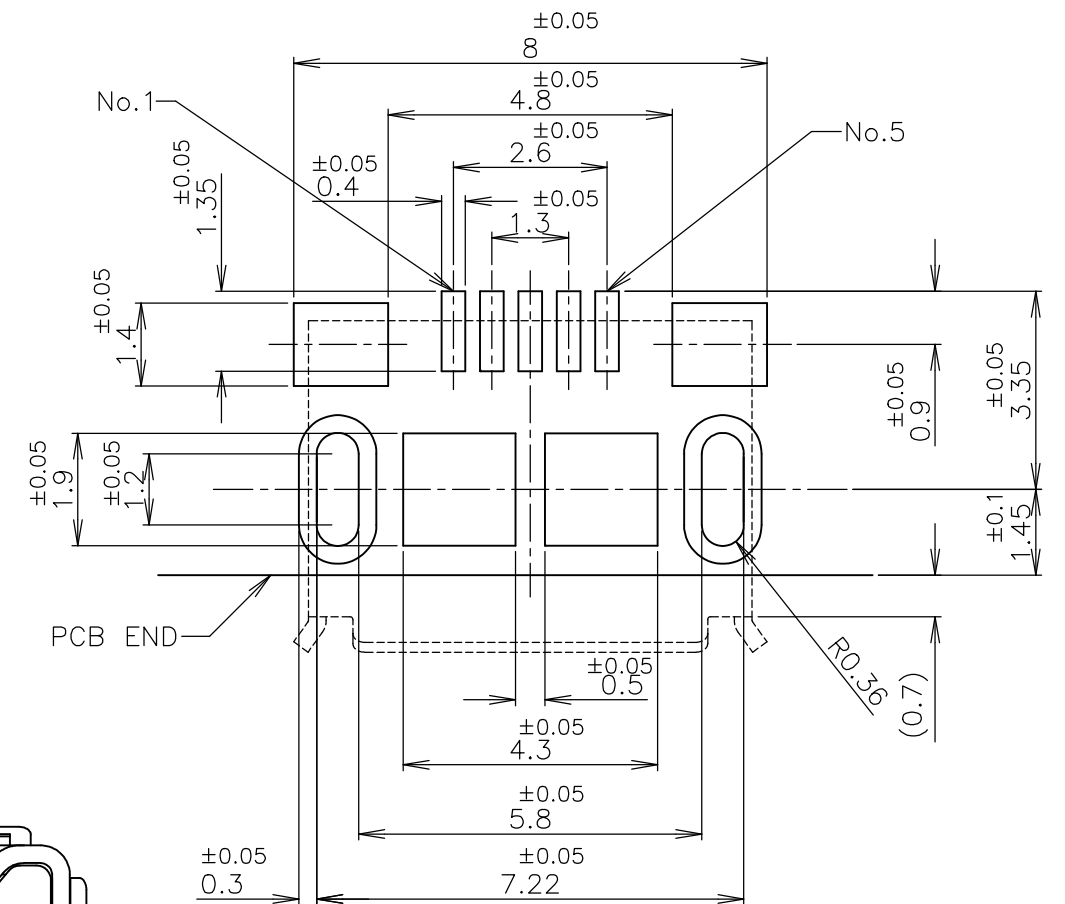
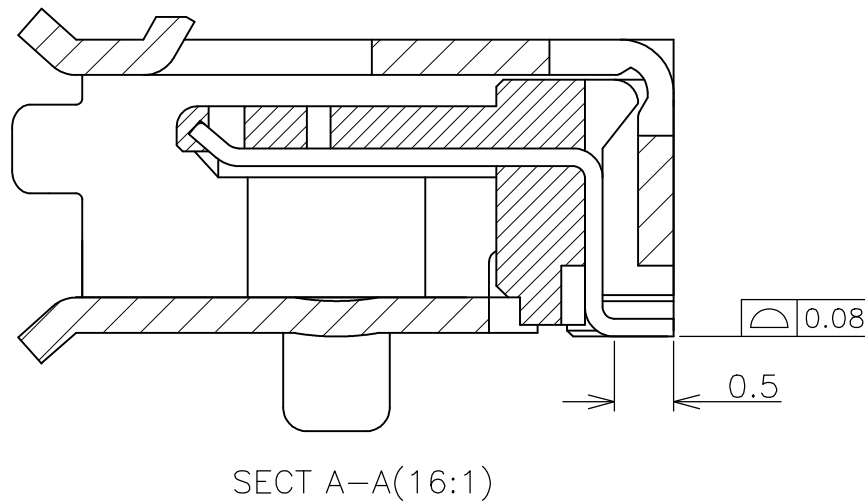
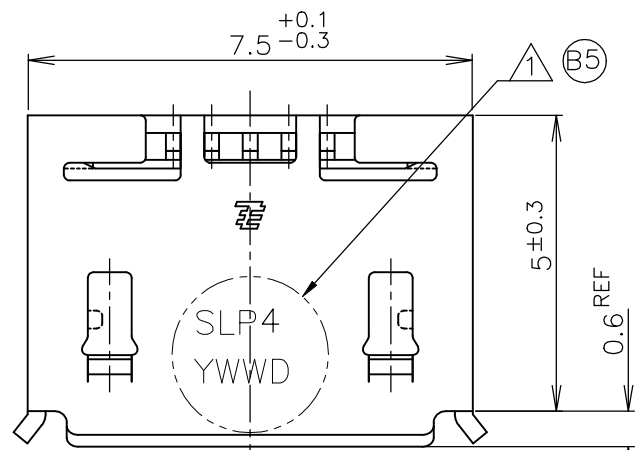


REVISIONS

変更

P	LTR	DESCRIPTION	DATE	DWN	APVD
	B5	REVISED PER ECO-19-005243	04APR2019	T.Z	S.L



PCB LAYOUT(REFERENCE)  
(VIEWED FROM CONNECTOR MOUNT SIDE)

- △ DATE CODE MARKING
- 2. OVERALL TOLERANCE: ±0.2
- 3. MATERIAL HOUSING : THERMOPLASTIC RESIN UL94V-0  
CONTACT : COPPER ALLOY  
SHELL : STAINLESS STEEL
- 4. FINISH CONTACT : Ni UNDER PL  
Au PL OVER Ni PL AT CONTACT AREA  
SHELL : Ni UNDER PL  
Sn PL

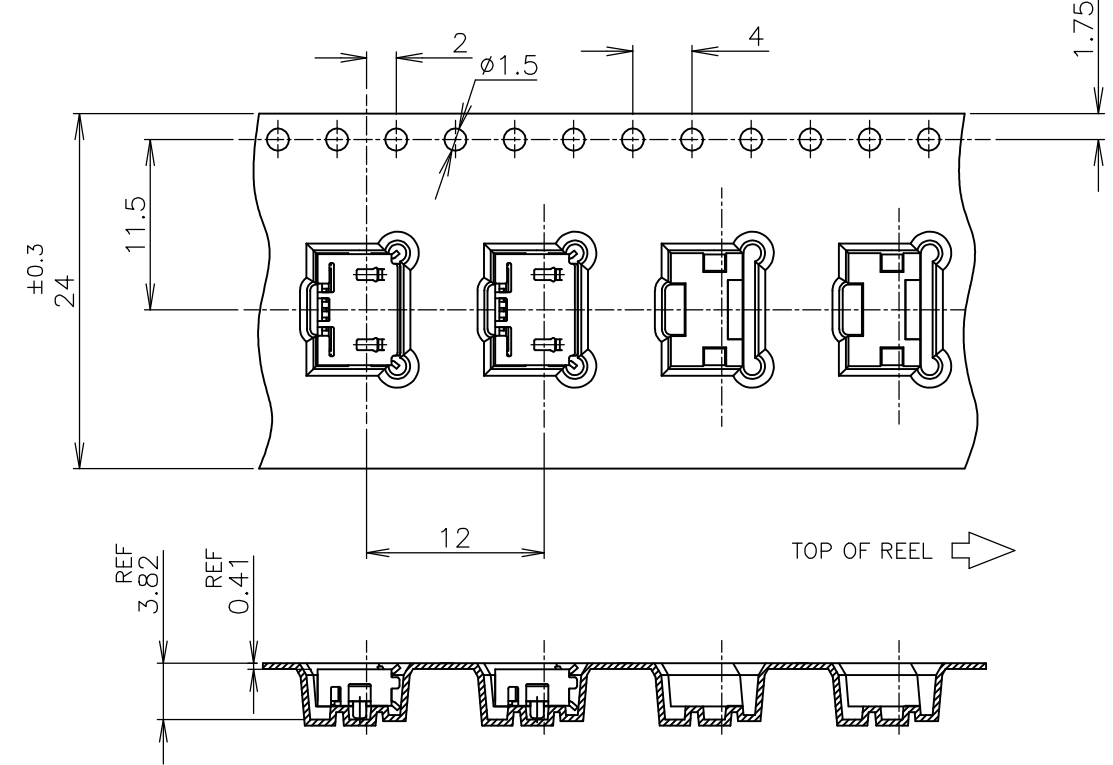
SEE SHEET 3	2013499-3
SEE SHEET 2	2013499-1
PACKAGING	PART NUMBER

THIS DRAWING IS A CONTROLLED DOCUMENT.		DWN	J.TSUJI	22OCT2007	 TE Connectivity Ltd.
DIMENSIONS: 単位: 耗 MM		CHK	T.KUSUHARA	22OCT2007	
TOLERANCES UNLESS OTHERWISE SPECIFIED: 一般公差		APVD	T.KUSUHARA	22OCT2007	
0 PLC ± 0.2 1 PLC ± 0.2 2 PLC ± 0.2 3 PLC ± 0.2 4 PLC ± 0.2 ANGLES ± 10		NAME 名称		MICRO USB RECEPTACLE DIP TYPE B ASSY	
MATERIAL 材料		FINISH 仕上		PRODUCT SPEC 製品規格 108-78434	RESTRICTED TO
		APPLICATION SPEC 取付適用規格		SIZE	A3
		WEIGHT		CAGE CODE	00779
		CUSTOMER DRAWING		DRAWING NO 番号	G-2013499
				SCALE 尺度	8:1
				SHEET	1 of 3
				REV	B5

4 3 2 1

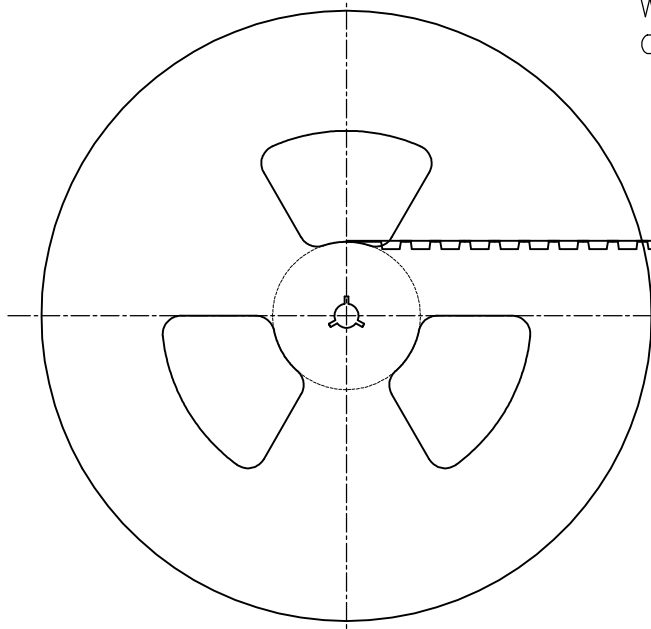
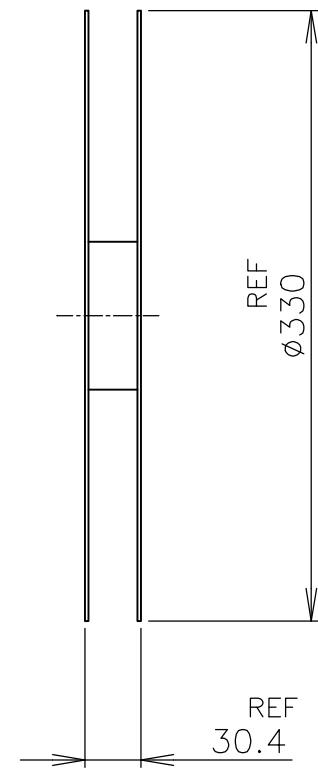
THIS DRAWING IS UNPUBLISHED. RELEASED FOR PUBLICATION JAN ,2007.  
 © COPYRIGHT 2007 By - ALL RIGHTS RESERVED.

REVISIONS				
P	LTR	DESCRIPTION	DATE	APVD
-	-	SEE SHEET 1	-	-



D  
C  
B  
A

D  
C  
B  
A



カバーテープリーダー部  
 外周1巻  
 WIDE COVER TAPE AROUND  
 OUT PERIPHERY 1 TURN  
 剥離強度 0.1-1.3N MAX(300±10mm/min)  
 PEELING STRENGTH  
 剥離強度 165~180°  
 PEELING ANGLE

引き出し方向  
 TOP OF REEL

1000個/リール  
 1000EA/REEL

HOLES  
 8穴

空部 WITHOUT CHARGE 300mm程度 APPROX  
 製品装填部 WITH PRODUCT CHARGE  
 空部 WITHOUT CHARGE 600mm程度 APPROX

THIS DRAWING IS A CONTROLLED DOCUMENT.		DWN	TE Connectivity Ltd.	
DIMENSIONS: 単位: 耗 MM		CHK	NAME 名称	
TOLERANCES UNLESS OTHERWISE SPECIFIED: 一般公差		APVD	MICRO USB RECEPTACLE DIP TYPE B ASSY	
0 PLC ± 0.2 1 PLC ± 0.2 2 PLC ± 0.2 3 PLC ± 0.2 4 PLC ± 0.2 ANGLES ± 10		PRODUCT SPEC 製品規格	SIZE	CAGE CODE
MATERIAL 材料		FINISH 仕上	DRAWING NO 番号	RESTRICTED TO
			A3 00779	—
			C=2013499	
			SCALE 尺度 2:1	SHEET 2 of 3
			CUSTOMER DRAWING	REV B5

4

3

2

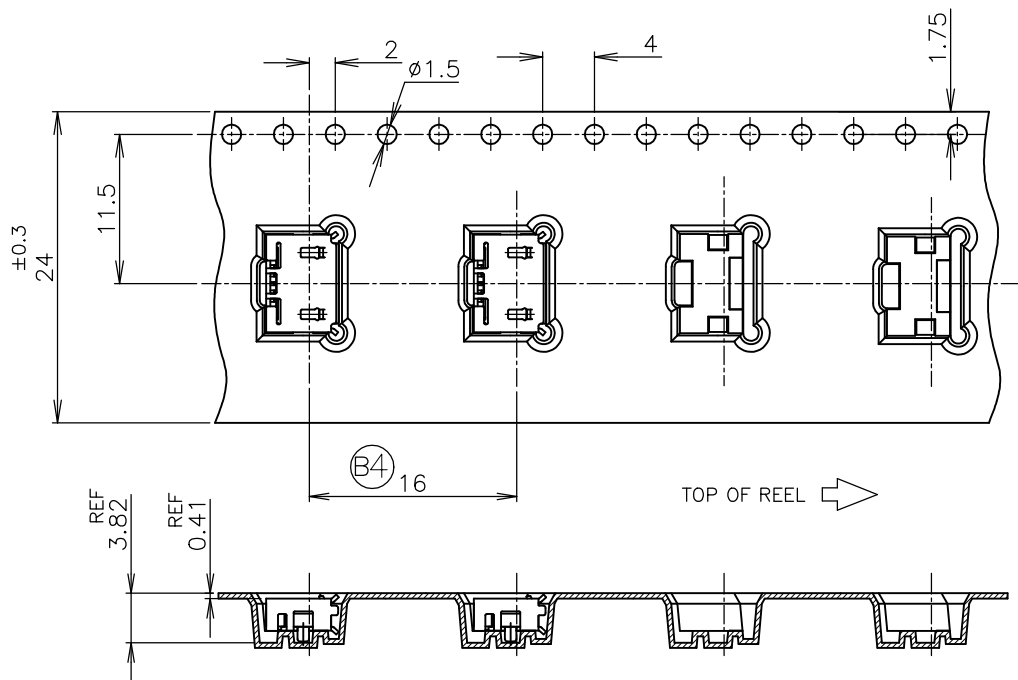
1

THIS DRAWING IS UNPUBLISHED. RELEASED FOR PUBLICATION MAY, 2007.

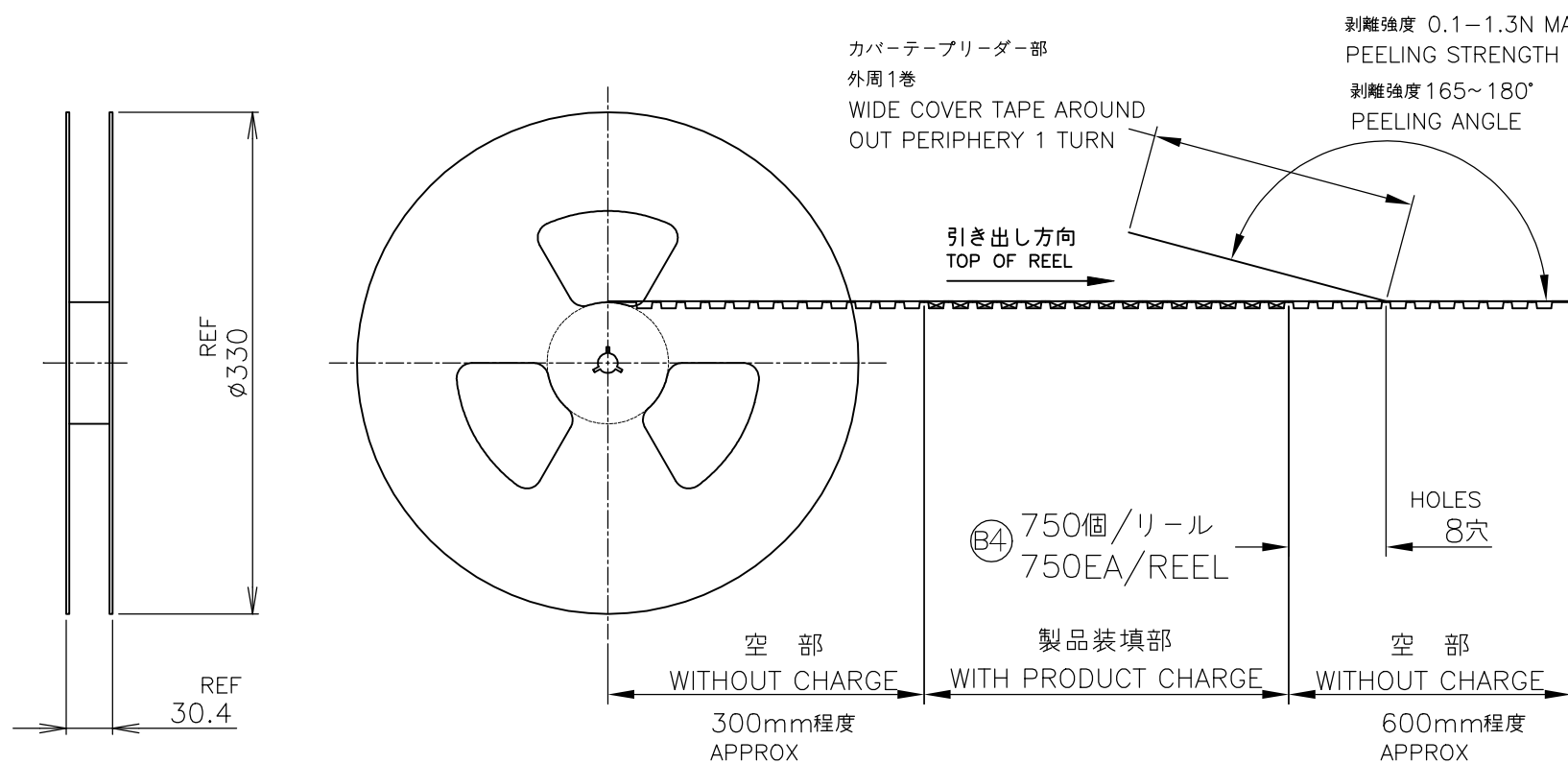
© COPYRIGHT 2007 By - ALL RIGHTS RESERVED.


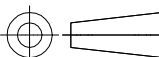
REVISIONS

P	LTR	変更 DESCRIPTION	DATE	DWN	APVD
-	-	SEE SHEET 1	-	-	-



(B4) 2013499-3 AS SHOWN



THIS DRAWING IS A CONTROLLED DOCUMENT.		DWN J.TSUJI 22OCT2007	 TE Connectivity Ltd.	
DIMENSIONS: 単位: 耗 MM		CHK T.KUSUHARA 22OCT2007		
TOLERANCES UNLESS OTHERWISE SPECIFIED: 一般公差		APVD T.KUSUHARA 22OCT2007	NAME 名称 MICRO USB RECEPTACLE DIP TYPE B ASSY	
		PRODUCT SPEC 製品規格 108-78434	RESTRICTED TO	
MATERIAL 材料		FINISH 仕上	APPLICATION SPEC 取付適用規格	SIZE A3
		WEIGHT	CAGE CODE 00779	DRAWING NO 番号 C-2013499
		CUSTOMER DRAWING	SCALE 尺度 8:1	SHEET 3 of 3
				REV B5