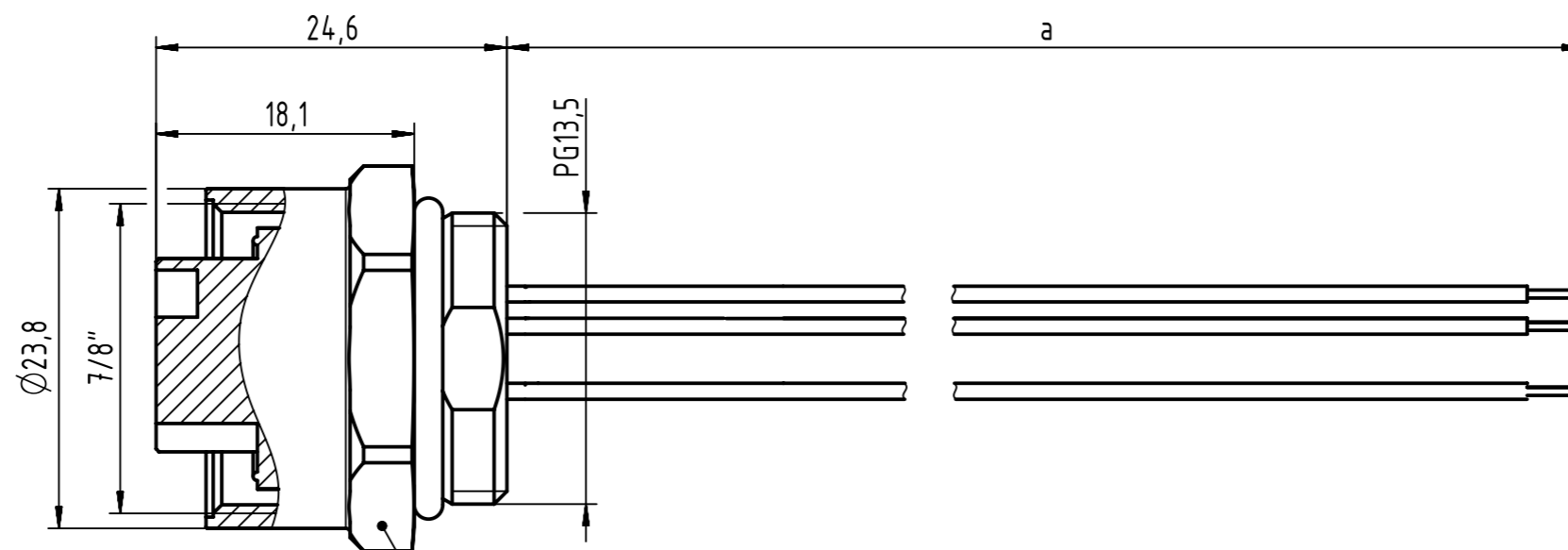
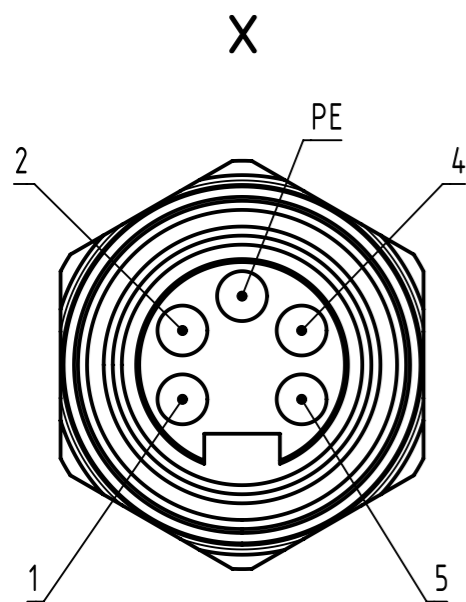


Connector Location A

Connector Location B



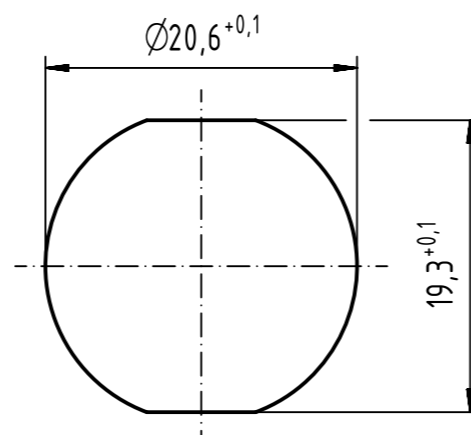
7/8" 4 pole+PE straight female PFT front mounting connector



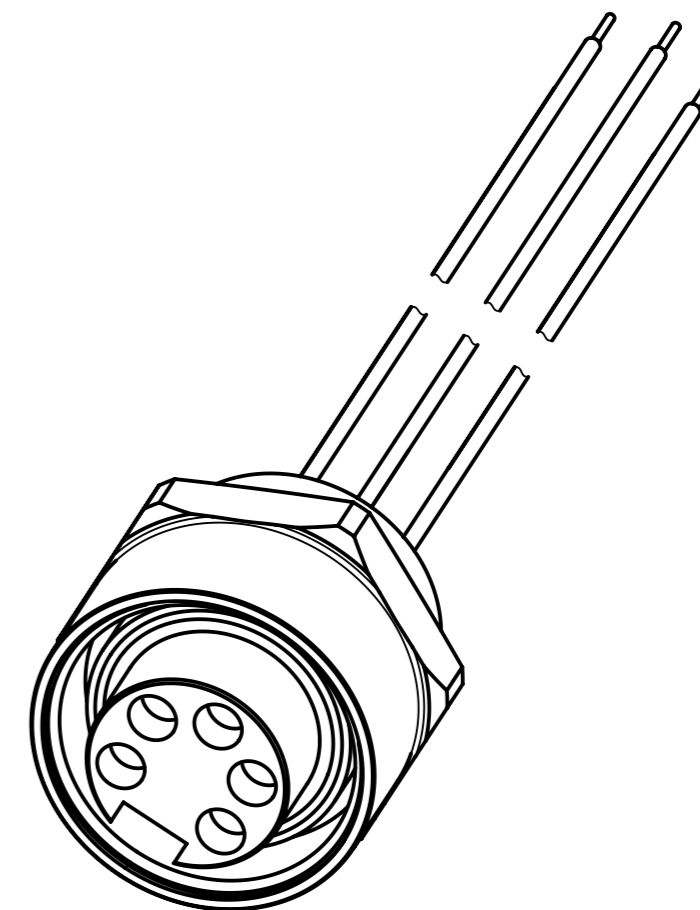
Loading plan:

- 1 — black
- 2 — blue
- PE — green-yellow
- 4 — brown
- 5 — white

Recommended panel cut-out



Minimum wall thickness 2.5mm



- Protection level: IP 65/67  
- Temperature range: -30°C...+75°C

		All Dimensions in mm		Tech. Character.		Free size tol.		According to production drawing 2016-09-05	
All rights reserved Department HCS - RO		Created by MUNTEANV		Inspected by POPESCU		Standardisation AVRAM		Date 2016-10-18	
HARTING Customised Solutions D-32427 Minden		Title 7/8" Cable Assembly				State Final Release		Doc-Key / ECM-Nr. 100587940/UGD/000/B 500000110271	
Type TB		Number 210431625XX				Rev. B		Page 1/1	

1	21043162501	AWG 18, PVC	0.5
Cont. No.	Part - no.	Type of cable	Dim. a[m]