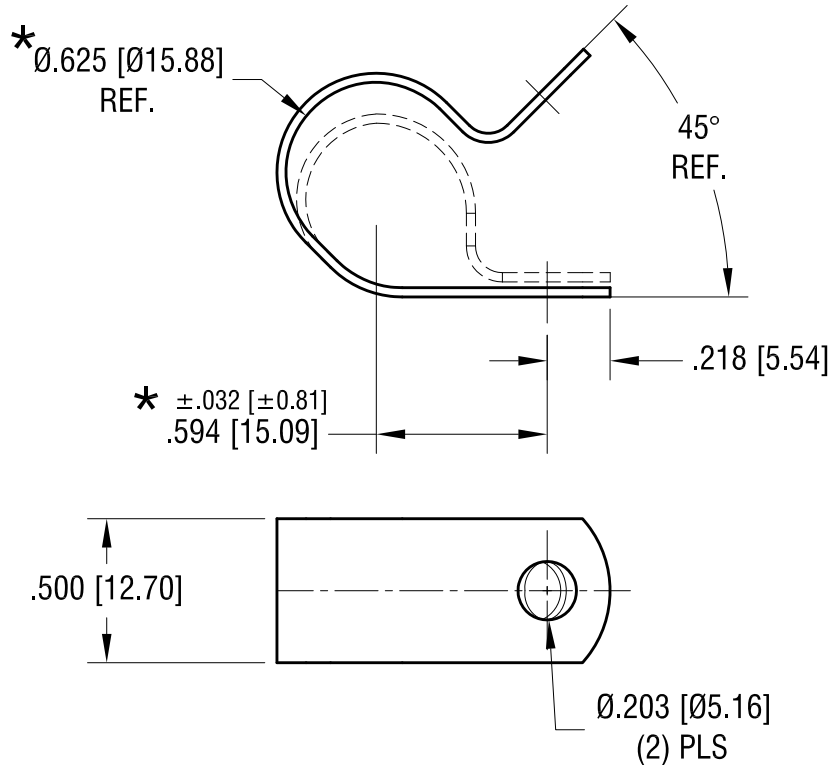
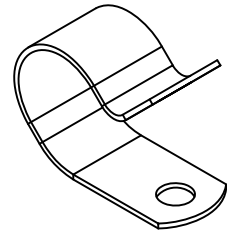


THIS DOCUMENT IS THE PROPERTY OF
KEYSTONE ELECTRONICS CORP. AND
SHALL NOT BE REPRODUCED, DISTRIBUTED
OR USED AS A BASIS FOR MANUFACTURE
WITHOUT PRIOR WRITTEN PERMISSION
FROM KEYSTONE ELECTRONICS CORP.

ACTUAL SIZE



NOTE:

- * AS MEASURED IN "CLOSED" POSITION.

KEYSTONE ELECTRONICS CORP.			
www.keyelco.com • NEW HYDE PARK NY 11040 • Tel (516)328-7500			
PART NAME		STEEL CABLE CLAMP	
MATERIAL		.032 [0.81] TH'K STEEL	
FINISH	ZINC PLATE CLEAR CHROMATE	DRN BY	BOONE
		APP'D	RH
TOLERANCES	INCH [MM]	CODE	DWG NO.
DECIMAL	± .010 [± 0.25]	C	8107
ANGULAR	± 1°		
UNLESS OTHERWISE SPECIFIED			

3.14.24	NEW TOOLING	B
10.18.06	CHANGE AS PER ECN 06-069	A
DATE	DESCRIPTION	REV.