

Actuator

46-
2819.1CV0.008

Distribution by
DigiKey

DigiKey



<https://digikey.eao.com/p/46-2819.1CV0.008>

Your product:



46-2819.1CV0.008 Actuator

FRONT

Front dimension:	Ø 29 mm
Front bezel material:	Plastic
Front form:	round
Front bezel colour:	Black

MOUNTING

Design:	raised
Mounting cut-out:	Ø 22.3 mm

OPERATING-/INDICATION PART

Lever colour:	Black
Lever material:	plastic
Lever shape:	short
Lever bar colour:	White

ELECTRICAL CHARACTERISTICS

Protection class:	II
--------------------------	----

MECHANICAL CHARATERISTIC

Switching action:	Maintained - Rest - Maintained
Switching angle:	60° left / 60° right
Weight:	0.027 kg

Mechanical lifetime: 1 Mio. cycles of operation
Switching positions: 3 positions
Tightening torque: 2 ... 3 Nm (17.7 ... 26.6 Lb-in)

AMBIENT CONDITION

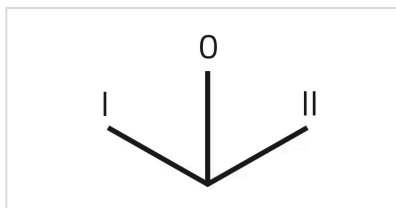
Shock resistance: 30g, 18ms (EN-IEC 60068-2-27)
50g, 11ms (EN-IEC 60068-2-27)
Vibration resistance: 5g f= 2...500Hz (EN-IEC 60068-2-6)
IP front protection: IP65
Operating temperature: - 25 °C ... + 55 °C
IK front protection: IK06
Climate resistance: +25°C-97%RH / +45°C-93%RH (IEC-EN60068-2-30)

CERTIFICATE

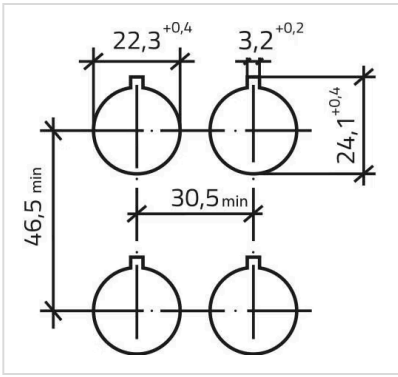
Standards: CSA C22-2, IEC EN 60947-1, IEC EN 60947-5-1, UL508
Approbations: CSA, EAC, UL
Conformities: CE

OTHER

Short Description: Actuator, Ø 22.3 mm, Ø 29 mm, non illuminative, Black, short, round, Black, Plastic, Maintained - Rest - Maintained, IP65, IK06
Housing colour: Black
Housing material: Plastic
max. number of switching elements: 8
Switching positions:



Mounting cut-outs:



Dimension drawings:

