

INTERCONNECTS

SERIES 802 & 803 • .100" GRID (.030" DIA. PINS), SOLDERLESS PRESS-FIT • DOUBLE ROW STRIPS

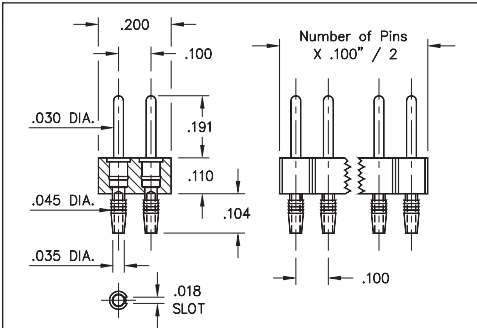


FIG. 1

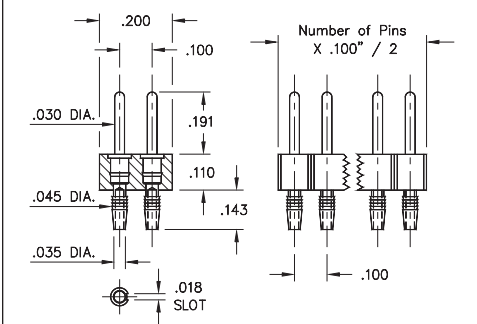


FIG. 2

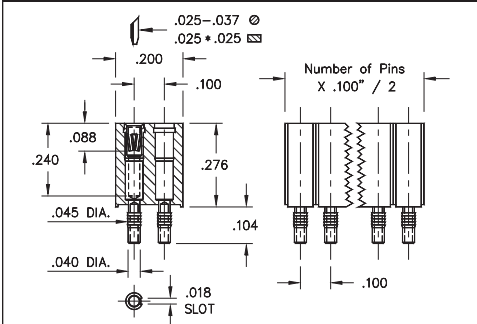


FIG. 3

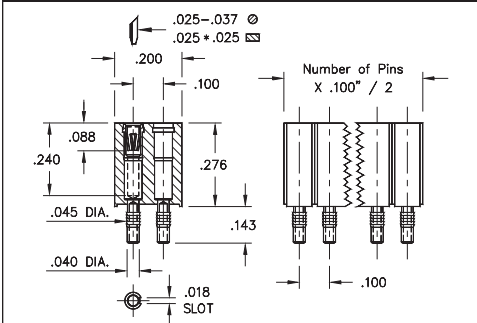
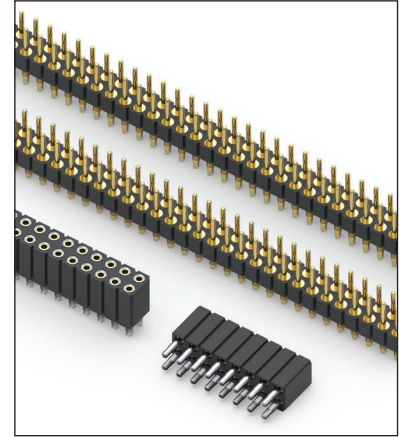


FIG. 4

- The unique compliant tail pins conform to .040"±.003" finished hole without stressing inner layers. Patent No. 4,799,904
- Headers and sockets are available for board thicknesses of .060" - .100" and .090" - .130". See ordering information for details
- Series 802 pin headers use MM #5601 and #5602 compliant tail pins featuring a .030" dia. mating lead. See page 220 for details
- Series 803 sockets with MM #4614 or #4615 pins use Hi-Rel, 6-finger BeCu #47 contact rated at 4.5 amps. Receptacles accept .030" diameter pins & .025" square pins. See pg. 256 for details
- Insulators are high temperature thermoplastic



ORDERING INFORMATION

FIG. 1	Compliant Tail Pin Header for .060" - .100" Thick Boards							
	802-XX-0--61-001000	Specify number of pins			04-64			
FIG. 2	Compliant Tail Pin Header for .090" - .130" Thick Boards							
	802-XX-0--62-001000	Specify number of pins			04-64			
<div style="display: flex; justify-content: space-around; align-items: center;"> <div style="border: 1px solid black; padding: 5px; background-color: #90EE90;">RoHS-2 2011/65/EU</div> <div style="border: 1px solid black; border-radius: 50%; padding: 5px;">XX=Plating Code See Below</div> <div style="border: 1px solid black; border-radius: 50%; padding: 5px;">For Electrical, Mechanical & Environmental Data, See page 264</div> </div>								
SPECIFY PLATING CODE XX=								
Pin Plating	10 ◆	90	40 ◆					
	10 μ" Au	200 μ" Sn/Pb	200 μ" Sn					
FIG. 3	Compliant Tail Socket for .060" - .100" Thick Boards							
	803-XX--61-001000	Specify number of pins			004-100			
FIG. 4	Compliant Tail Socket for .090" - .130" Thick Boards							
	803-XX--62-001000	Specify number of pins			004-100			
<div style="display: flex; justify-content: space-around; align-items: center;"> <div style="border: 1px solid black; padding: 5px; background-color: #90EE90;">RoHS-2 2011/65/EU</div> <div style="border: 1px solid black; border-radius: 50%; padding: 5px;">XX=Plating Code See Below</div> <div style="border: 1px solid black; border-radius: 50%; padding: 5px;">For Electrical, Mechanical & Environmental Data, See page 264</div> </div>								
SPECIFY PLATING CODE XX=								
Sleeve (Pin)	11 ◆	13 ◆	91	93	99	41 ◆	43 ◆	44 ◆
	10 μ" Au	10 μ" Au	200 μ" Sn/Pb	200 μ" Sn/Pb	200 μ" Sn/Pb	200 μ" Sn	200 μ" Sn	200 μ" Sn
Contact (Clip)	10 μ" Au	30 μ" Au	10 μ" Au	30 μ" Au	100 μ" Sn/Pb	10 μ" Au	30 μ" Au	100 μ" Sn



Mouser Electronics

Authorized Distributor

Click to View Pricing, Inventory, Delivery & Lifecycle Information:

Mill-Max:

[803-99-100-62-001000](#) [803-99-100-61-001000](#) [803-99-072-62-001000](#) [803-99-072-61-001000](#) [803-93-072-62-001000](#) [803-93-072-61-001000](#) [802-90-064-62-001000](#) [802-90-064-61-001000](#) [803-43-100-62-001000](#) [803-43-100-61-001000](#) [802-10-064-62-001000](#) [802-10-064-61-001000](#) [803-93-100-61-001000](#) [803-93-100-62-001000](#) [803-43-072-62-001000](#) [803-43-072-61-001000](#) [802-40-064-62-001000](#) [802-40-064-61-001000](#) [803-93-026-61-001000](#) [803-43-004-62-001000](#) [803-43-008-61-001000](#) [803-43-006-61-001000](#) [803-43-010-62-001000](#) [803-43-064-62-001000](#) [803-43-006-62-001000](#) [803-43-004-61-001000](#) [803-43-064-61-001000](#) [803-43-010-61-001000](#) [803-43-008-62-001000](#) [803-43-024-20-001000](#) [803-43-012-62-001000](#) [803-43-028-62-001000](#)