

INTERCONNECTS

**SERIES 349, 449, 800, 801, 802, 803 • .100" GRID (.030" DIA. PINS),
SURFACE MOUNT HEADERS & SOCKETS • SINGLE AND DOUBLE ROW STRIPS**

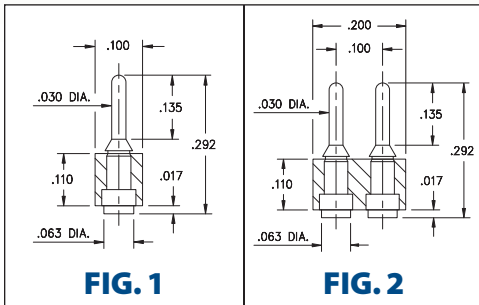


FIG. 1

FIG. 2

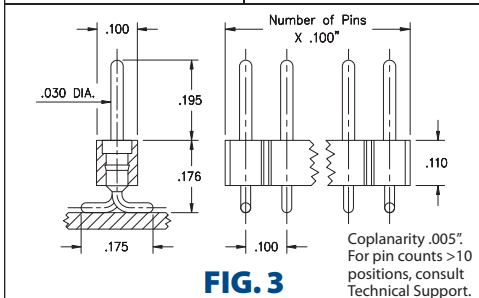


FIG. 3

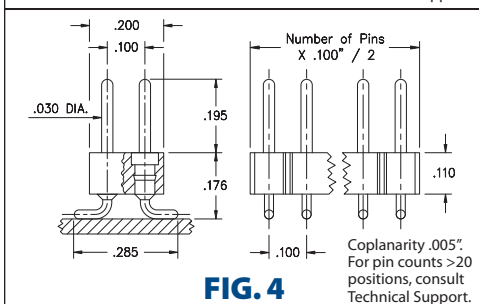


FIG. 4

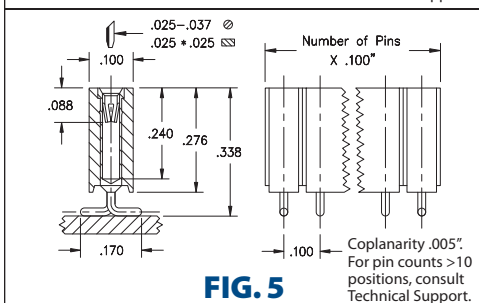


FIG. 5

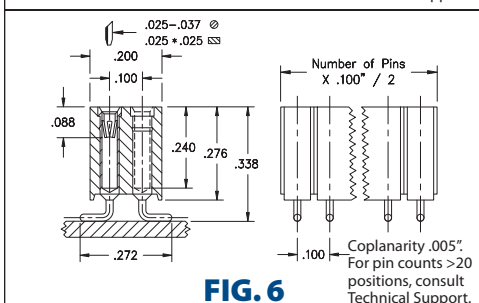
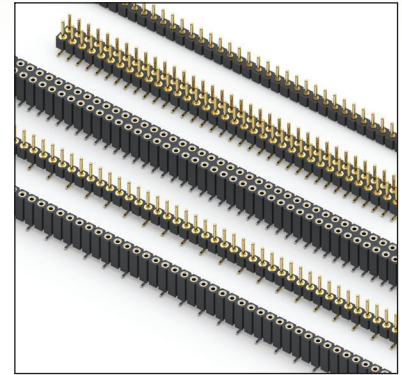


FIG. 6

- Series 349 & 449 use MM #4956-1 pins. See page 218 for details
- Series 800 & 802 use MM #7007 pins. See page 215 for details
- Series 801 & 803 use MM #1304 receptacles and accept pin diameters from .025"-.037" and .025" square pins. See page 177 for details
- Receptacles use Hi-Rel, 6-finger BeCu #47 contact rated at 4.5 amps. See page 256 for details
- Insulators are high temperature thermoplastic, suitable for all soldering operations



ORDERING INFORMATION

FIG. 1	Series 349...560	Single Row Surface Mount Header			
			349-10-1__-00-560000		
		Specify number of pins	↑	02-64	
FIG. 2	Series 449...560	Double Row Surface Mount Header			
			449-10-2__-00-560000		
		Specify number of pins	↑	04-64	
FIG. 3	Series 800...001	Single Row Surface Mount Header			
			800-10-0__-30-001000		
		Specify number of pins	↑	03-64	
FIG. 4	Series 802...001	Double Row Surface Mount Header			
			802-10-0__-30-001000		
		Specify number of pins	↑	04-72	
SPECIFY PLATING CODE XX=			10	◆	
Pin Plating			10 μ" Au		
FIG. 5	Series 801...001	Single Row Surface Mount Socket			
			801-43-0__-30-001000		
		Specify number of pins	↑	03-50	
FIG. 6	Series 803...001	Double Row Surface Mount Socket			
			803-XX-__-30-001000		
		Specify number of pins	↑	004-100	
			XX=Plating Code See Below		<i>For Electrical, Mechanical & Environmental Data, See page 264</i>
SPECIFY PLATING CODE XX=				93	43
Sleeve (Pin)				200 μ" Sn/Pb	200 μ" Sn
Contact (Clip)				30 μ" Au	30 μ" Au

Mouser Electronics

Authorized Distributor

Click to View Pricing, Inventory, Delivery & Lifecycle Information:

Mill-Max:

[800-10-064-30-001000](#) [801-43-050-30-001000](#) [802-10-072-30-001000](#) [803-43-100-30-001000](#) [803-93-100-30-001000](#) [349-10-164-00-560000](#) [449-10-272-00-560000](#) [803-43-008-30-001000](#) [803-43-006-30-001000](#) [803-43-004-30-001000](#) [803-43-010-30-001000](#) [803-43-064-30-001000](#)