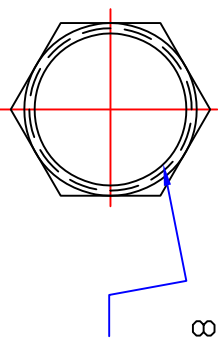
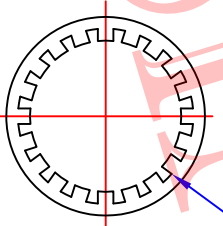
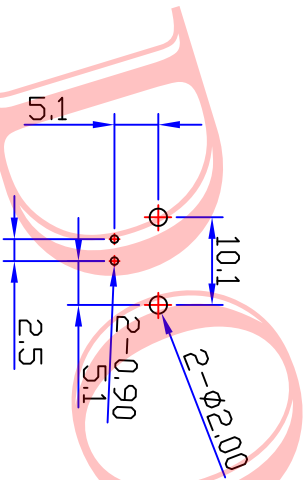
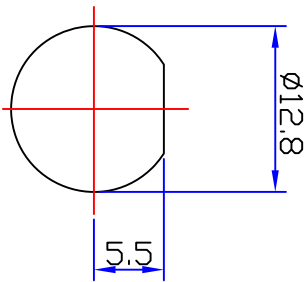
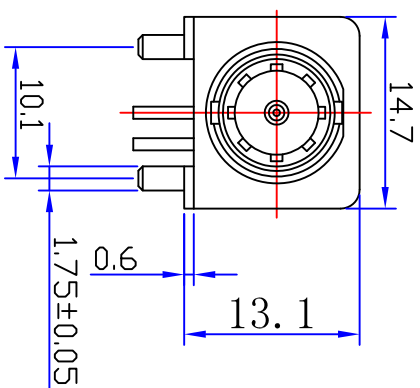
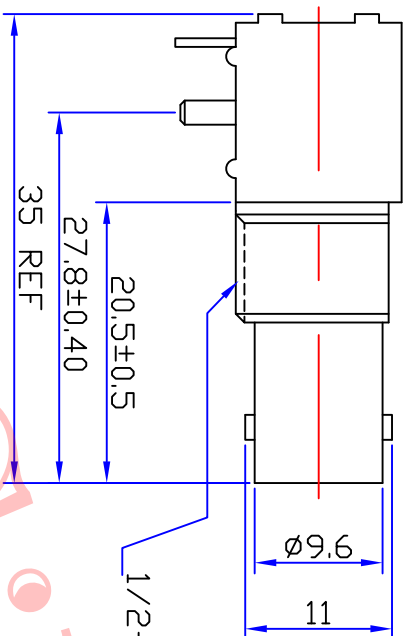
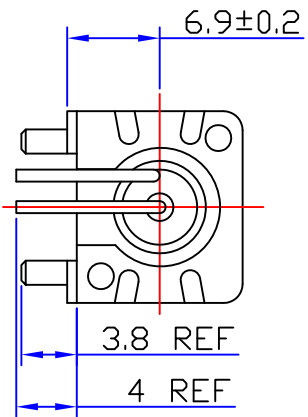




Product NO.		DOSIN-801-0043		
REV	DESCRIPTION	DWN	DATE	APPROVEN
A	First Issue	Mr. Wang	2010/08/19	John Kine



LOCK WASHER

1/2-28UNEF-2B  
CLAMP NUT

**Specification:**  
 Impedance: 75 Ohms  
 VSWR:1.3MAX  
 Frequency range:DC~4G  
 Working Voltage:500V rms @ sea level  
 Insulation resistance:5000 Ohms min  
 Temperature range:-55°C T0 +155°C  
 Relative temperature:≤95%(40° C±2° C)  
 Drawings products are in line with ROHS standards.

RECOMMENDED MOUNTING HOLE  
 MAXIMUM PANEL THICKNESS:5.5MM  
 RECOMMENDED MOUNTING TORQUE:  
 12 INCH-POUNDS MAX

1	Body	Zinc	NI:80-120u"
2	Center contact	Brass	AU:1u"
3	Lead	Iron	AU:1u"
4	Fixed footrest	Iron	NI:80-120u"
5	Insulator	POM	White
6	Fixed mount	PBT	White
7	Washer	IRON	NI:80-120u"
8	Hex nut	Brass	NI:80-120u"

NOTE:

Tolerance	X.	±0.15
	X.X	±0.10
	X.XX	±0.05
View	Angular	±5°

**DOSIN** **Dosin Industrial(H.K)Co.,Ltd** E-mail:dosin2005@163.com  
 东莞市德索五金电子有限公司 dosin2005@dosin-china.com  
**Dosin Hardware Electronics Co.,Ltd** Web:http://www.chin-guan.com  
 TEL:(0086)769-81153906  
 FAX:(0086)769-81875836

Name: BNC Jack 90° PCB Mount

SIZE	Product NO.	CAD FILE	SHEET: 1 OF 1
A	DOSIN-801-0043	D/company drawings/BD	
Date/Time			
2012/04/13			

10	Component Number	Material	Finish
9			
8			
7			
6			
5			
4			
3			
2			
1			