

FLKM 14-PA-INLINE/OUT16 - Front adapter

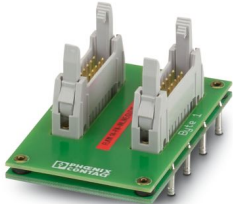


2302764

<https://www.phoenixcontact.com/us/products/2302764>

Please be informed that the data shown in this PDF document is generated from our online catalog. Please find the complete data in the user documentation. Our general terms of use for downloads are valid.

VARIOFACE front adapter for Inline modules, for transferring 16 (2 x 8) digital output signals.



Commercial data

Item number	2302764
Packing unit	1 pc
Minimum order quantity	1 pc
Sales key	C421
Product key	CK231P
Catalog page	Page 486 (C-5-2019)
GTIN	4017918929480
Weight per piece (including packing)	52.5 g
Weight per piece (excluding packing)	32.08 g
Customs tariff number	85369010
Country of origin	DE

FLKM 14-PA-INLINE/OUT16 - Front adapter



2302764

<https://www.phoenixcontact.com/us/products/2302764>

Technical data

Product properties

Product type	Front adapter
Product family	VARIOFACE

Data management status

Article revision	07
------------------	----

Insulation characteristics: Air clearances and creepage distances

Insulation	Functional insulation
Overvoltage category	II
Pollution degree	2

Electrical properties

Operating voltage (DC)	≤ 60 V DC
Current (per branch)	≤ 1 A

Air clearances and creepage distances

Rated insulation voltage	63 V
Rated surge voltage	0.6 kV (1.2/50 μs)

Supported controller PHOENIX CONTACT Inline

Suitable I/O card	IB IL 24 DO 16-PAC
	ILB ... 24 DO16
	ILB ... 24 DO32
	ILB ... 24 DI16 DO16

Connection data

Connection 1 (control level)

Connection method	Plug-in connection
Number of connections	1
Number of positions	24

Connection 2 (field level)

Connection in acc. with standard	IEC 60603-13
Connection method	IDC/FLK pin strip
Number of connections	2
Number of positions	14
Insertion/withdrawal cycles	> 50
Pitch	2.54 mm

Dimensions

Item dimensions

Width	44 mm
-------	-------

FLKM 14-PA-INLINE/OUT16 - Front adapter



2302764

<https://www.phoenixcontact.com/us/products/2302764>

Height	66.5 mm
Depth	33.85 mm

Environmental and real-life conditions

Ambient conditions

Degree of protection (Module)	IP20
Degree of protection (Installation location)	≥ IP54
Ambient temperature (operation)	-20 °C ... 50 °C
Ambient temperature (storage/transport)	-20 °C ... 50 °C
Altitude	≤ 2000 m

Standards and regulations

Air clearances and creepage distances

Standards/regulations	EN IEC 60664-1
-----------------------	----------------

Mounting

Mounting type	Plug-in mounting
Mounting position	any

Notes

Notes on operation	For proper use, the specifications of the installation directive (see Downloads) must be observed. For applications or use with third-party products, the specifications, and the safety and warning instructions of the respective third-party manufacturer must also be met.
--------------------	--

FLKM 14-PA-INLINE/OUT16 - Front adapter

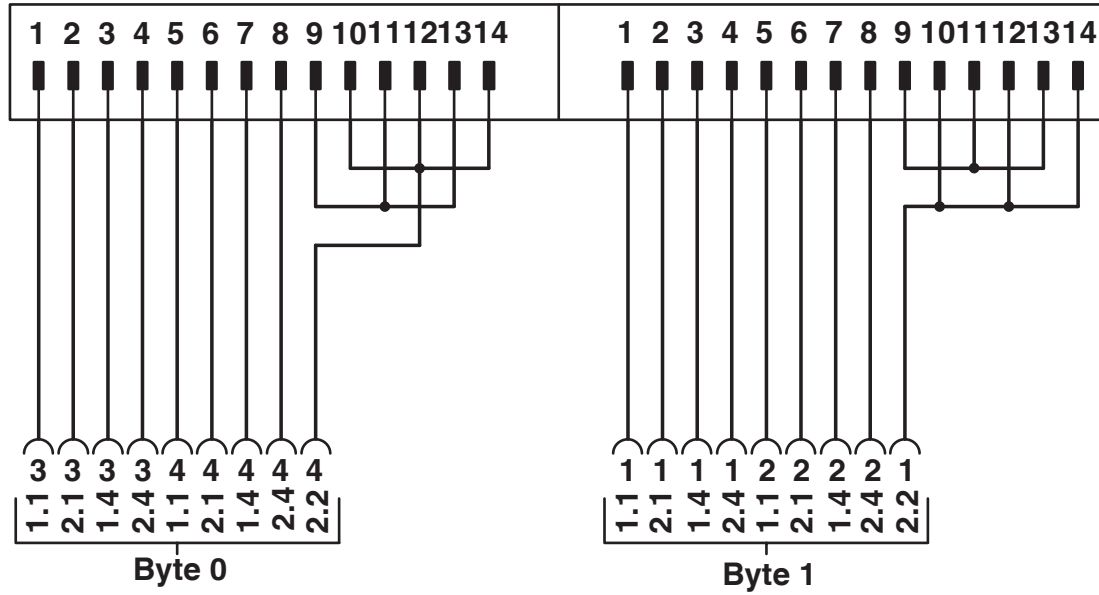


2302764

<https://www.phoenixcontact.com/us/products/2302764>

Drawings

Circuit diagram



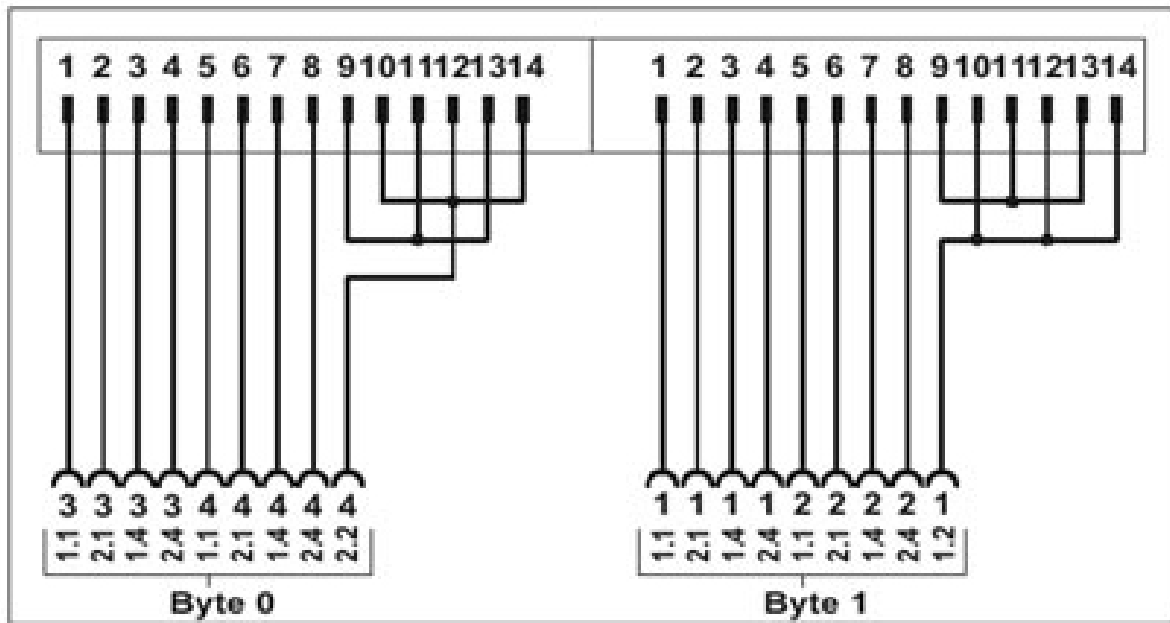
FLKM 14-PA-INLINE/OUT16 - Front adapter



2302764

<https://www.phoenixcontact.com/us/products/2302764>

Connection diagram



FLKM 14-PA-INLINE/OUT16 - Front adapter



2302764

<https://www.phoenixcontact.com/us/products/2302764>

Classifications

ECLASS

ECLASS-11.0	27242292
ECLASS-12.0	27242292
ECLASS-13.0	27242292

ETIM

ETIM 9.0	EC002584
----------	----------

UNSPSC

UNSPSC 21.0	32151600
-------------	----------

FLKM 14-PA-INLINE/OUT16 - Front adapter



2302764

<https://www.phoenixcontact.com/us/products/2302764>

Environmental product compliance

EU RoHS

Fulfills EU RoHS substance requirements	Yes
Exemption	6(c)

China RoHS

Environment friendly use period (EFUP)	EFUP-50
	An article-related China RoHS declaration table can be found in the download area for the respective article under "Manufacturer declaration". For all articles with EFUP-E, no China RoHS declaration table issued and required.

EU REACH SVHC

REACH candidate substance (CAS No.)	Lead(CAS: 7439-92-1)
SCIP	01b82f88-892b-42a8-8fa9-4ac605225b0b

Phoenix Contact 2024 © - all rights reserved

<https://www.phoenixcontact.com>

Phoenix Contact USA
586 Fulling Mill Road
Middletown, PA 17057, United States
(+717) 944-1300
info@phoenixcon.com