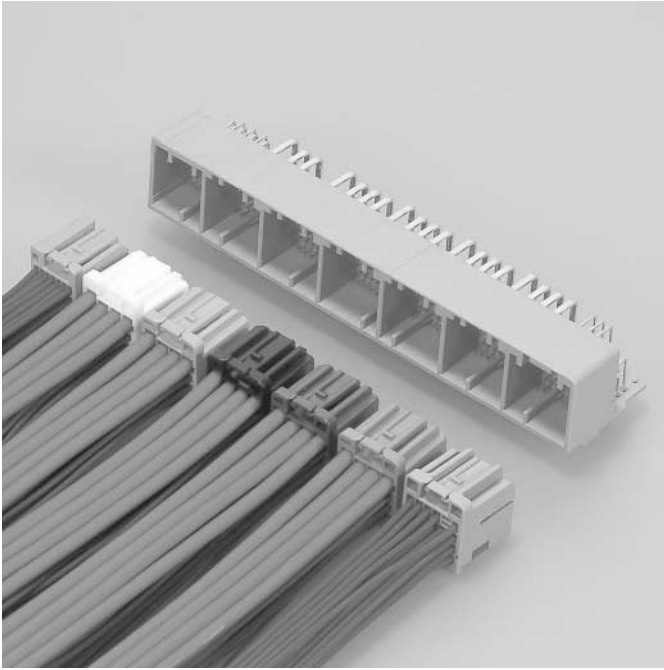


HIT CONNECTOR

Board-to-wire



The HIT connector is multi-circuit and miniaturized for ECU for the automobile.
Female connector is divided into seven housings, and considers the ergonomics and workability.

Features

●Multi-circuit structure, Miniaturized

Current products available are up to 180-circuit. Although this connector is multi-circuit, it was miniaturized by narrow pitch. The insertion force in the mating operation of one time is decreased by block division structure.

●Reliability

It conforms to the automotive performance evaluation standard.

●Diversity

It is hybrid structures of using 0.64 mm and 2.8 mm terminals. Large current circuit is also available.

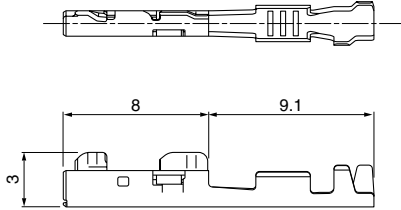
Specifications

- Current rating: 0.64 Terminal/ 5 A AC, DC (0.5 mm², Single circuit)
2.8 Terminal/ 25 A AC, DC (5 mm², Single circuit)
- Voltage rating: 14 V AC, DC
- Temperature range: -40°C to +100°C
(including temperature rise in applying electrical current)
- Contact resistance: 0.64 Terminal;
Initial value/ 20 mΩ max.
After environmental tests/ 20 mΩ max.
2.8 Terminal;
Initial value/ 5 mΩ max.
After environmental tests/ 5 mΩ max.
- Insulation resistance: 20 MΩ min.
- Withstanding voltage: 1,000 VAC/minute
- Applicable wire: TXL/ AVSS/ CAVS
0.64 Terminal S/M; 0.3 mm² to 0.85 mm²
2.8 Terminal S/M/L; 0.85 mm² to 5.0 mm²

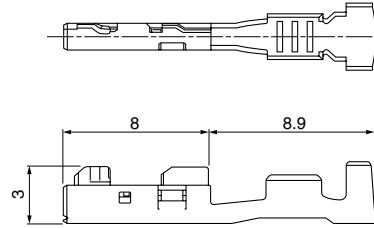
- * Compliant with ELV/RoHS.
- * Contact JST for details.

Female terminal

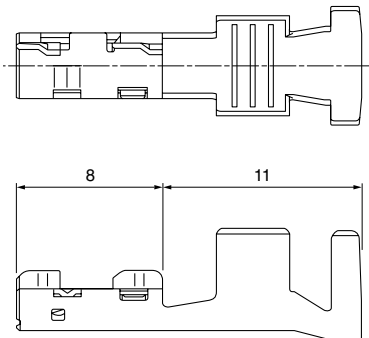
• 0.64 Female terminal SSS/SS



• 0.64 Female terminal S/M



• 2.8 Female terminal S/M/L



| Terminal | Model No. | Applicable wire range | | Q ty/reel |
|-----------|--------------------------|------------------------------|----------------------|-----------|
| | | Conductor (mm ²) | Insulation O.D. (mm) | |
| *0.64 SSS | SNAC3-A001T-M0.64 | 0.13 | 0.85 | 6,000 |
| *0.64 SS | SNAC3-A011T-M0.64 | 0.22 to 0.35 | 0.95 to 1.10 | 5,000 |
| 0.64 S | SNAC3-A021T-M0.64 | 0.3 to 0.5 | 1.4 to 1.8 | 5,000 |
| 0.64 M | SNAC3-A031T-M0.64 | 0.5 to 0.85 | 1.8 to 2.0 | 5,000 |
| 2.8 S | SNAC-A061T-M2.8 | 0.85 to 1.3 | 2.0 to 2.3 | 3,000 |
| 2.8 M | SNAC-A081T-M2.8 | 2.0 to 3.3 | 2.6 to 3.2 | 2,500 |
| 2.8 L | SNAC-A091T-M2.8 | 3.0 to 5.0 | 3.2 to 4.0 | 2,000 |

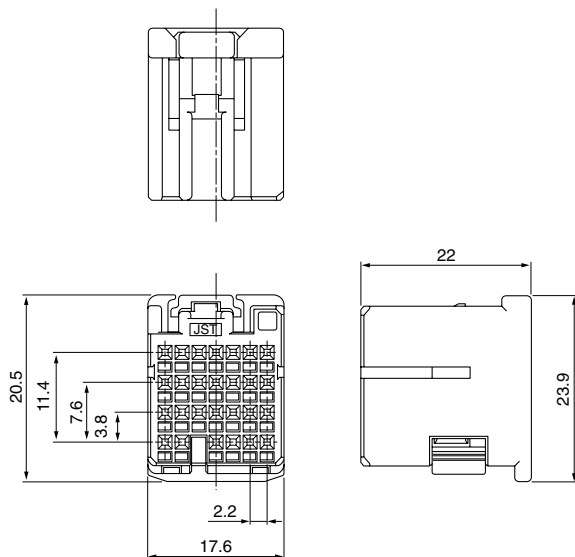
Material and Finish

Copper alloy, tin-plated (reflow treatment)

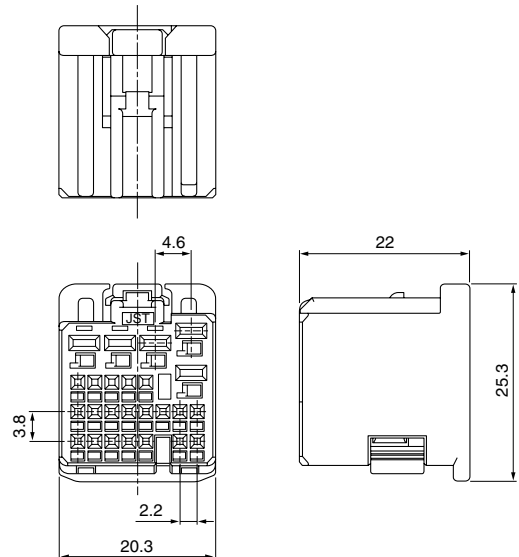
Note: *Please contact JST about the use of these parts.

Female connector

• A Block



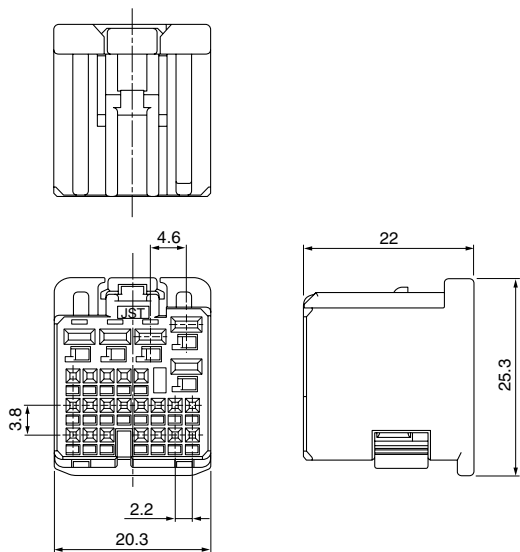
• B Block



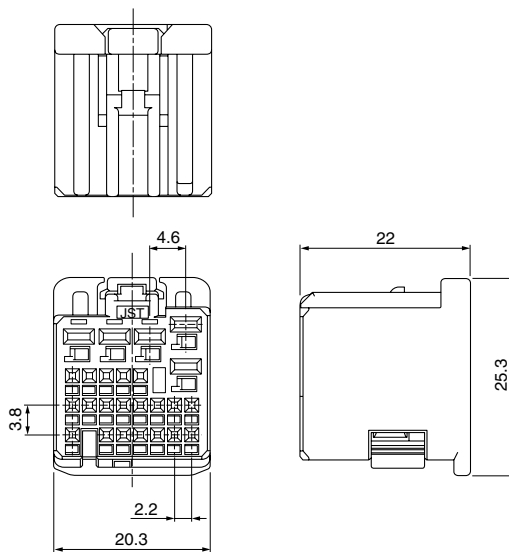
HIT CONNECTOR

Female connector

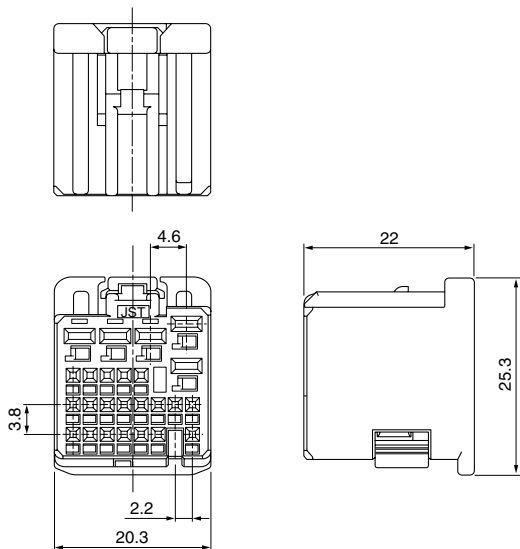
• C Block



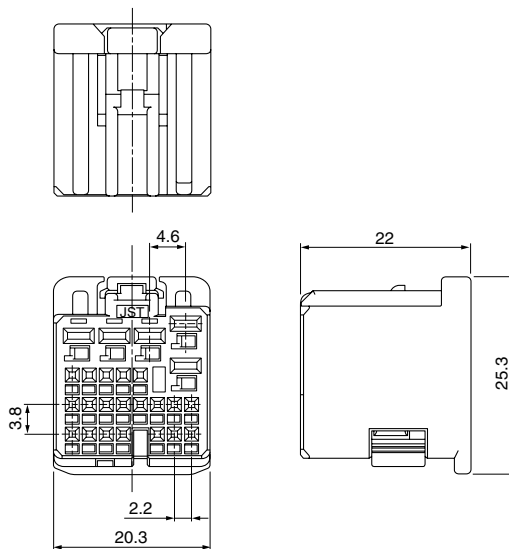
• D Block



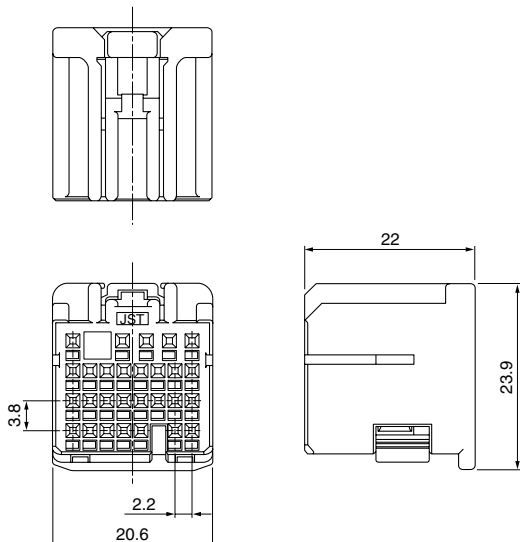
• E Block



• F Block



• G Block



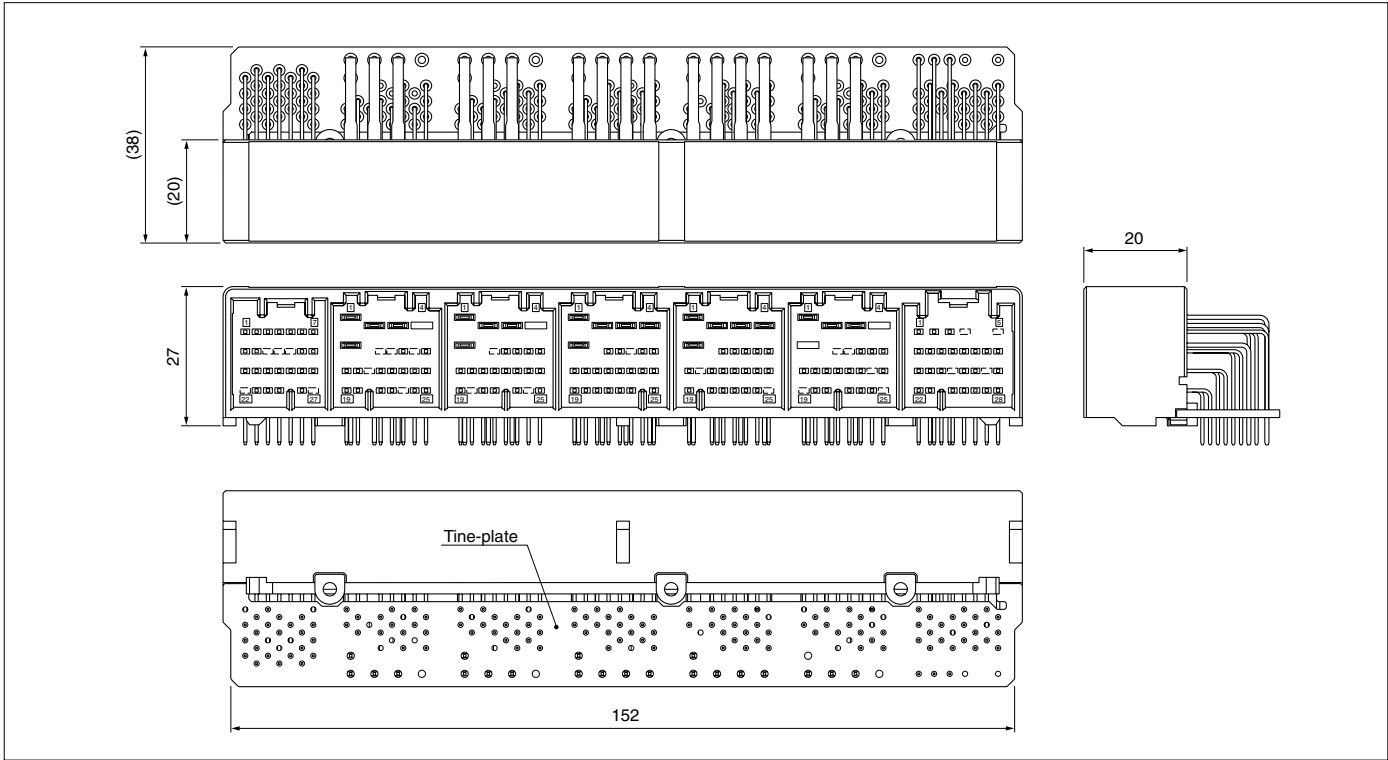
| Type | Circuits | Model No. | Q'ty/box | Color | |
|---------|----------|---------------|----------|-----------------|----------|
| | | | | Housing | Retainer |
| A Block | 27 | HITPB-27-A-LM | 336 | Light green | Blue |
| B Block | 25 | HITPB-25-B-S | 280 | Natural (White) | Blue |
| C Block | | HITPB-25-C-LE | 280 | Light blue | Blue |
| D Block | | HITPB-25-D-K | 280 | Black | Blue |
| E Block | | HITPB-25-E-N | 280 | Brown | Blue |
| F Block | | HITPB-25-F-PK | 280 | Pink | Blue |
| G Block | 28 | HITPB-28-G-H | 280 | Gray | Blue |

Material

Housing: PBT
Retainer: PBT

Note: Contact JST for other circuits.

Header

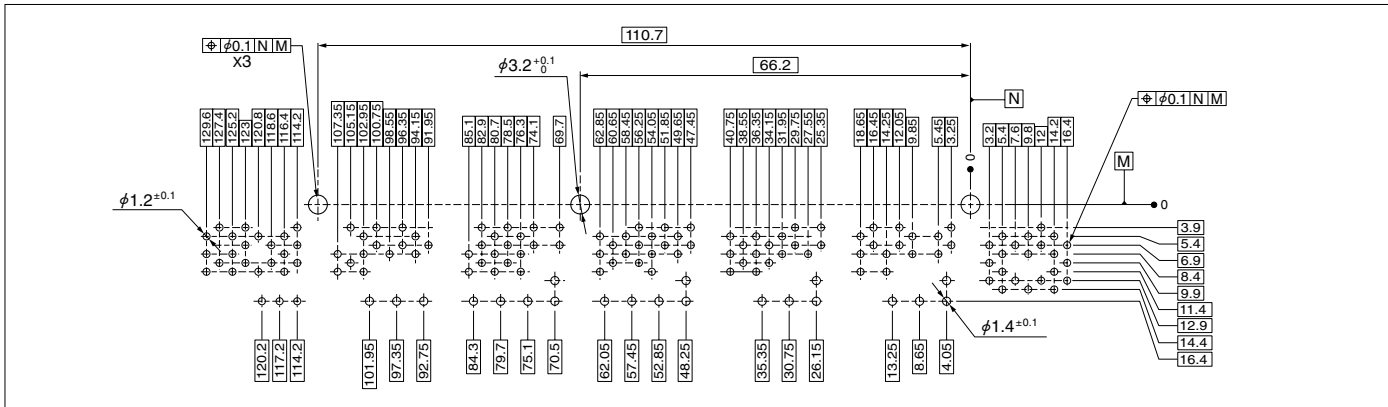


| Circuits | Model No. | Q'ty/box |
|----------|-------------------------|----------|
| 151 | S151B-HITHTP-01A | 105 |

Material and Finish

Housing: Glass-filled PBT
 Tine-plate: Glass-filled PBT
 Signal pin: Brass, nickel-undercoated, tin-plated (reflow treatment)
 Power pin: Copper alloy, nickel-undercoated, tin-plated (reflow treatment)

PC board layout



Crimping machine, Applicator, Hand crimp tool

| Strip terminal | Crimping machine | Crimp applicator MKS-L | | Hand crimp tool |
|-------------------|------------------|------------------------|----------------------------|-----------------|
| | | Dies | Crimp applicator with dies | |
| SNAC3-A001T-M0.64 | AP-K2N | MK/SNAC3-A001-064 | APLMK SNAC3-A001-064 | — |
| SNAC3-A011T-M0.64 | | MK/SNAC3-A011-064 | APLMK SNAC3-A011-064 | — |
| SNAC3-A021T-M0.64 | | MK/SNAC3-A021-064 | APLMK SNAC3-A021-064 | YRK-1003 |
| SNAC3-A031T-M0.64 | | MK/SNAC3-A031-064 | APLMK SNAC3-A031-064 | YRK-1012 |
| SNAC-A061T-M2.8 | | MK/SNAC-A061-28 | APLMK SNAC-A061-28 | — |
| SNAC-A081T-M2.8 | | MK/SNAC-A081-28 | APLMK SNAC-A081-28 | — |
| SNAC-A091T-M2.8 | | MK/SNAC-A091-28 | APLMK SNAC-A091-28 | — |

Note: When crimping operation is conducted using an applicator and die set other than the above, JST cannot guarantee the performance of the terminal.

Mouser Electronics

Authorized Distributor

Click to View Pricing, Inventory, Delivery & Lifecycle Information:

JST:

[SNAC-A091T-M2.8](#) [SNAC3-A001T-M0.64](#) [SNAC3-A031T-M0.64](#) [SNAC-A061T-M2.8](#) [SNAC-A081T-M2.8](#) [SNAC3-A021T-M0.64](#) [SNAC4-A041T-M1.5](#)