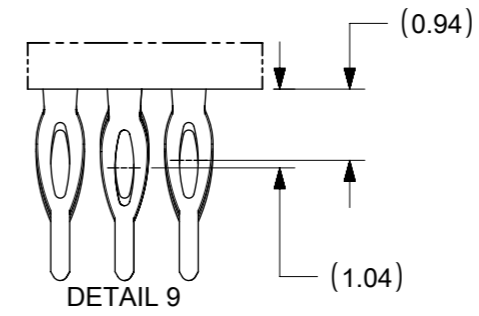
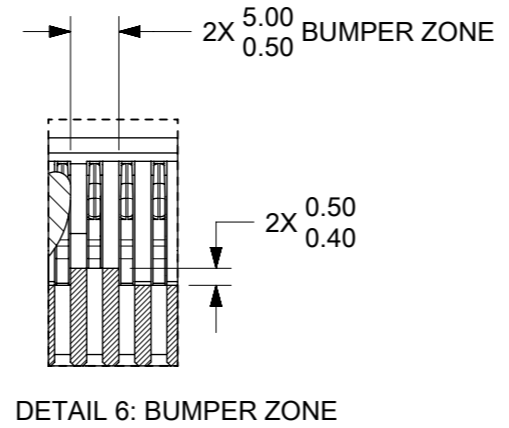
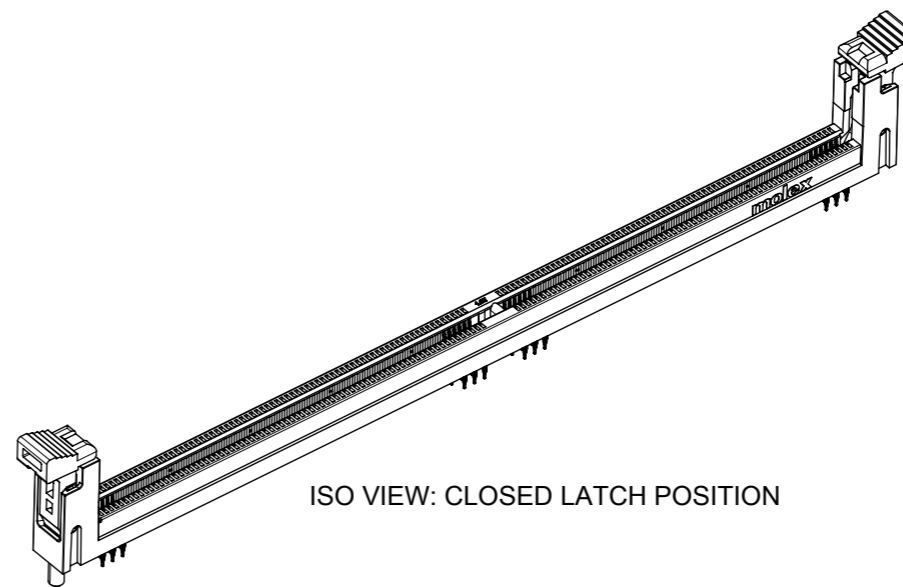
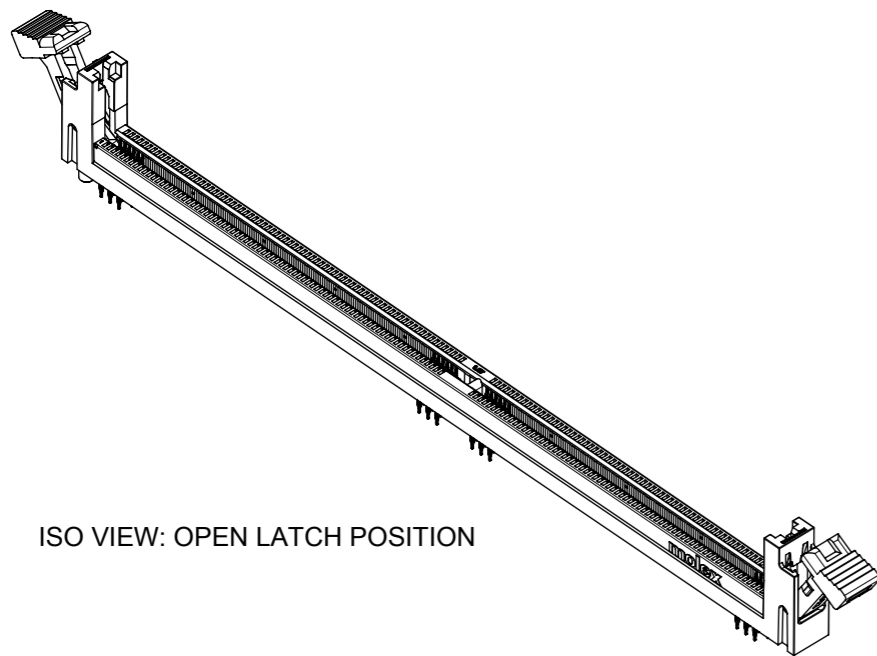
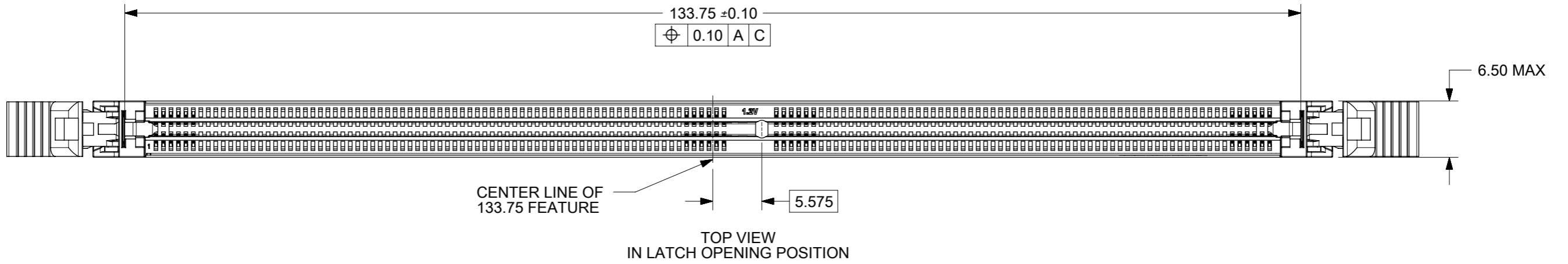


- NOTES:**
- MATERIAL : HOUSING - HALOGEN FREE HIGH TEMP POLYAMIDE, GLASS FILLED, UL94V-0.
COLOUR : SEE TABLE ON SHEET 5.
LATCH - HALOGEN FREE HIGH TEMP POLYAMIDE, GLASS FILLED, UL94V-0.
COLOUR : SEE TABLE ON SHEET 5.
TERMINAL: COPPER ALLOY.
 - FINISHES - SEE TABLE ON SHEET 5.
 - PRODUCT SPECIFICATION : SEE TABLE ON SHEET 5.
 - PACKAGING SPECIFICATION: PRODUCT SHALL BE PACKED IN TRAY, SEE SHEET 5
 - CARD SLOT ACCEPTS 1.40 \pm 0.10MM MODULE THICKNESS (MEASURED OVER P.C. PADS).
 - MOLEX LOGO, DATE & PART NO. INDICATED ON HOUSING.
 - MODULE SEATING PLANE.
 - KEEP OUT ZONE RESERVED FOR LATCH.
 - KEEP OUT AREA IS THE AREA WHERE THE CONNECTOR (INCLUDES LATCHES IN OPENING POSITION) IS MOUNTED ON THE PCB.
 - REFER TO AS-78731-001 FOR CONNECTOR MOUNTING AND REWORK INFORMATION.
 - REFER TO AS-78731-003 FOR PCB ROUTING RECOMMENDATIONS.

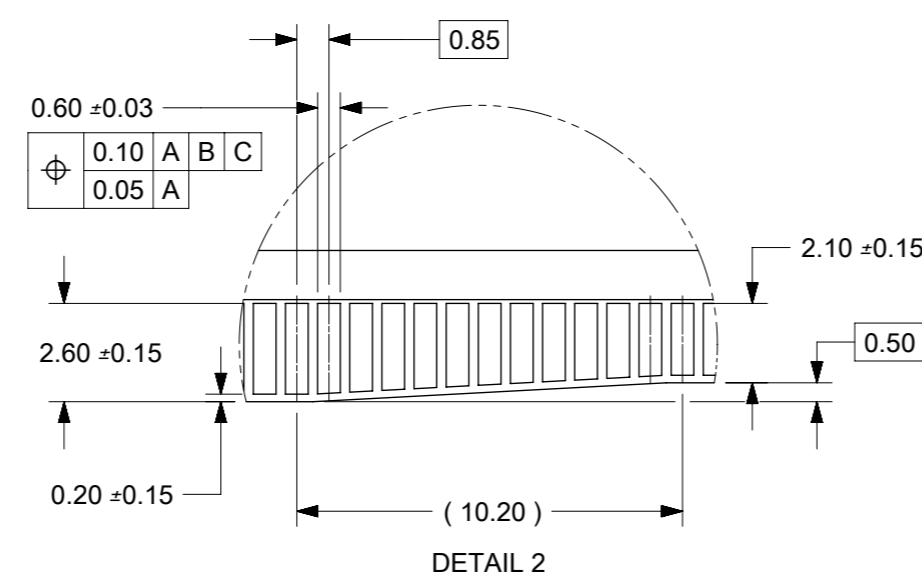
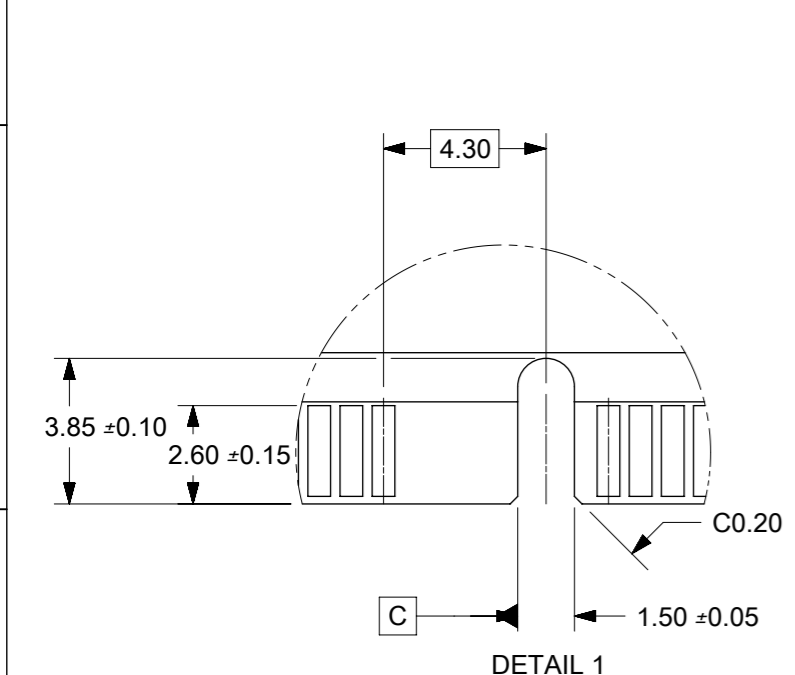
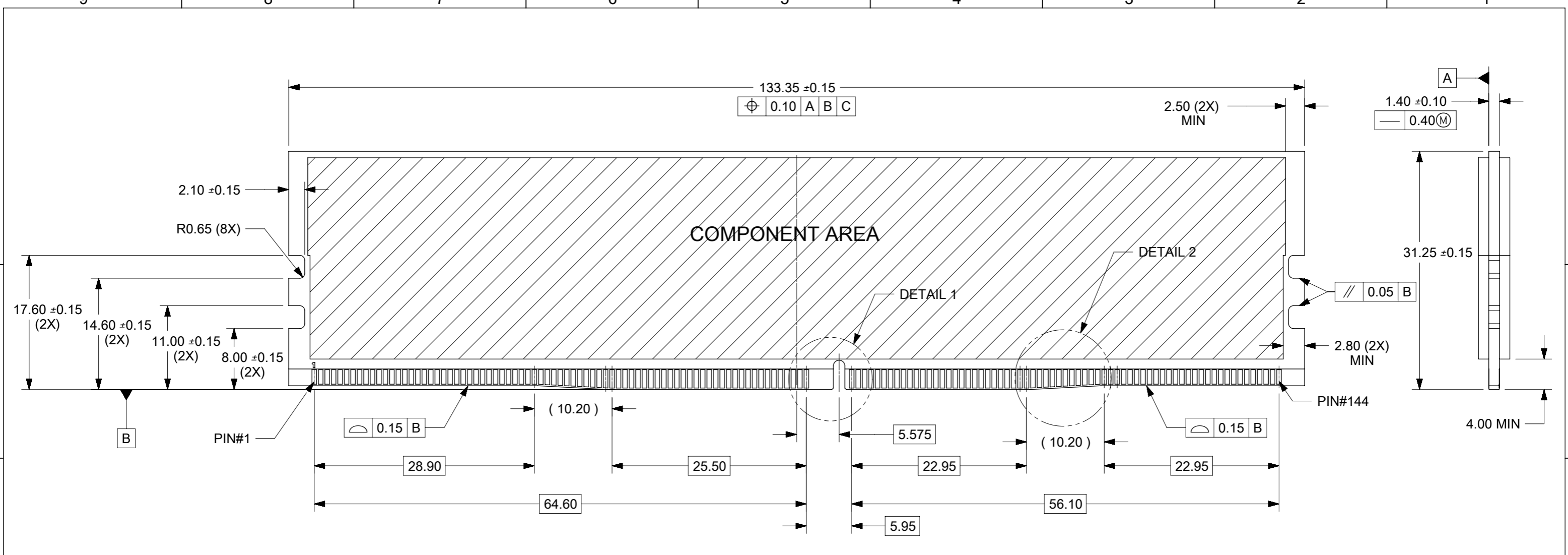


THIS DRAWING CONTAINS INFORMATION THAT IS PROPRIETARY TO MOLEX ELECTRONIC TECHNOLOGIES, LLC AND SHOULD NOT BE USED WITHOUT WRITTEN PERMISSION		CURRENT REV DESC: MIGRATED TO NX		molex	
DIMENSION UNITS	SCALE				
MM	NTS			DDR4 DIMM, 0.85MM PITCH 288CKTS, VERTICAL PF	
GENERAL TOLERANCES (UNLESS SPECIFIED)		EC NO: 174601		PRODUCT CUSTOMER DRAWING	
ANGULAR TOL	$\pm 3.0^\circ$	DRWN: SMAHESHBABU	2018/03/08	DOCUMENT NUMBER	DOC TYPE
4 PLACES	\pm	CHK'D: CGTAN	2018/05/08	SD-78731-001	PSD
3 PLACES	\pm	APPR: SHLENI	2018/05/15	DOC PART	001
2 PLACES	± 0.2	INITIAL REVISION:		REVISION	A
1 PLACE	\pm	DRWN: EKSOH	2012/08/03		
0 PLACES	\pm	APPR: SHLENI	2013/05/09		
DRAFT WHERE APPLICABLE MUST REMAIN WITHIN DIMENSIONS	THIRD ANGLE PROJECTION	DRAWING	SERIES	MATERIAL NUMBER	CUSTOMER
		A3-SIZE	78731	SEE TABLE	GENERAL MARKET
					SHEET NUMBER
					1 OF 5

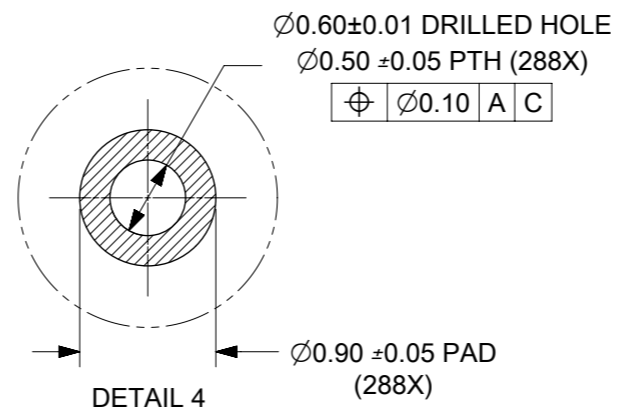
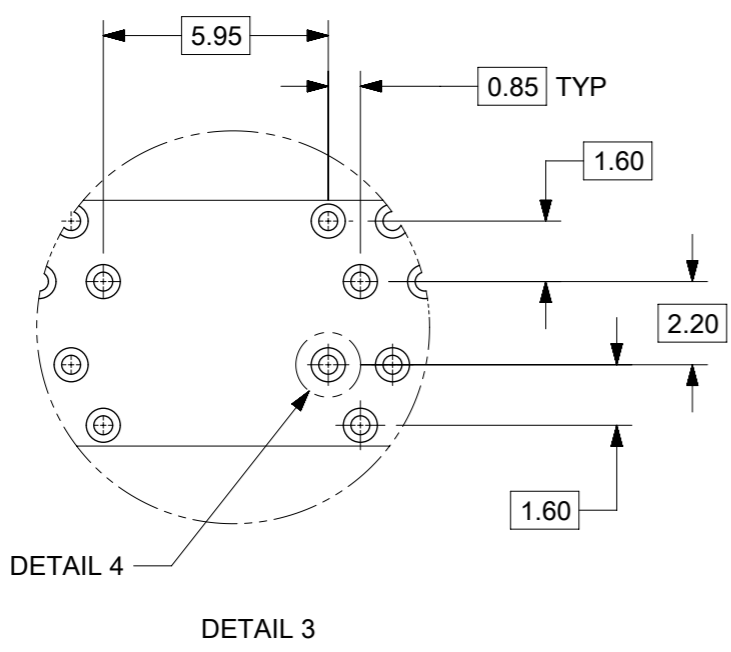
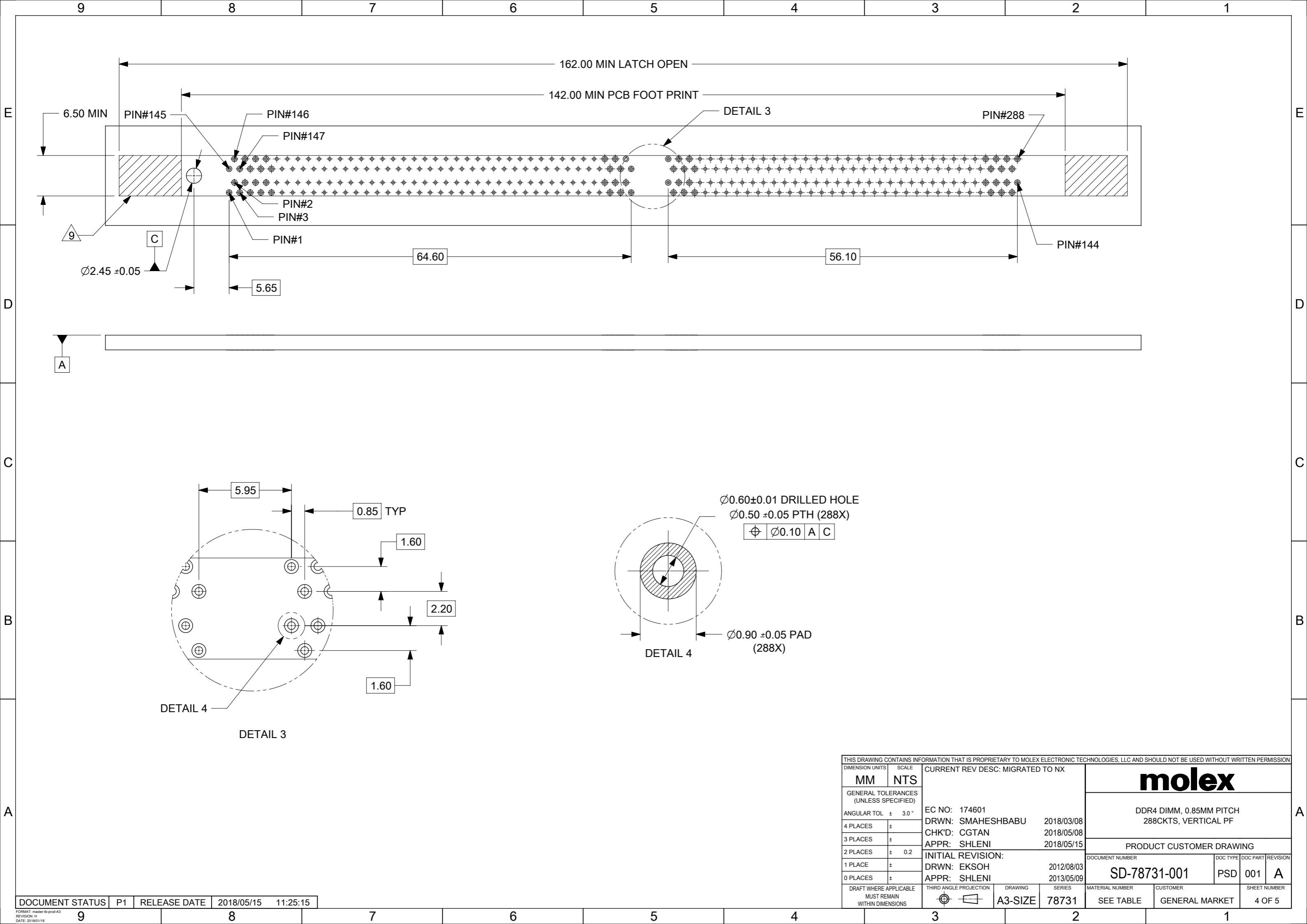


THIS DRAWING CONTAINS INFORMATION THAT IS PROPRIETARY TO MOLEX ELECTRONIC TECHNOLOGIES, LLC AND SHOULD NOT BE USED WITHOUT WRITTEN PERMISSION									
DIMENSION UNITS	SCALE	CURRENT REV DESC: MIGRATED TO NX							
MM	NTS								
GENERAL TOLERANCES (UNLESS SPECIFIED)									
ANGULAR TOL	± 3.0 °	EC NO: 174601		2018/03/08		DDR4 DIMM, 0.85MM PITCH		288CKTS, VERTICAL PF	
4 PLACES	±	DRWN: SMAHESHBABU		2018/05/08		PRODUCT CUSTOMER DRAWING			
3 PLACES	±	CHK'D: CGTAN		2018/05/08		DOCUMENT NUMBER		DOC TYPE	DOC PART
2 PLACES	± 0.2	APPR: SHLENI		2018/05/15		SD-78731-001		PSD	001
1 PLACE	±	INITIAL REVISION:		2012/08/03		REVISION		A	
0 PLACES	±	DRWN: EKSOH		2013/05/09		MATERIAL NUMBER		CUSTOMER	
DRAFT WHERE APPLICABLE MUST REMAIN WITHIN DIMENSIONS		THIRD ANGLE PROJECTION	DRAWING	SERIES	MATERIAL NUMBER	CUSTOMER	SHEET NUMBER		
			A3-SIZE	78731	SEE TABLE	GENERAL MARKET	2 OF 5		

DOCUMENT STATUS	P1	RELEASE DATE	2018/05/15	11:25:15
-----------------	----	--------------	------------	----------



THIS DRAWING CONTAINS INFORMATION THAT IS PROPRIETARY TO MOLEX ELECTRONIC TECHNOLOGIES, LLC AND SHOULD NOT BE USED WITHOUT WRITTEN PERMISSION		CURRENT REV DESC: MIGRATED TO NX		molex	
DIMENSION UNITS	SCALE				
MM	NTS			PRODUCT CUSTOMER DRAWING	
GENERAL TOLERANCES (UNLESS SPECIFIED)		EC NO: 174601		DOCUMENT NUMBER	
ANGULAR TOL	± 3.0°	DRWN: SMAHESHBABU 2018/03/08		SD-78731-001	
4 PLACES	±	CHK'D: CGTAN 2018/05/08		DOC TYPE	DOC PART
3 PLACES	±	APPR: SHLENI 2018/05/15		PSD	001
2 PLACES	± 0.2	INITIAL REVISION:		REVISION	A
1 PLACE	±	DRWN: EKSOH 2012/08/03			
0 PLACES	±	APPR: SHLENI 2013/05/09			
DRAFT WHERE APPLICABLE MUST REMAIN WITHIN DIMENSIONS	THIRD ANGLE PROJECTION	DRAWING	SERIES	MATERIAL NUMBER	CUSTOMER
		A3-SIZE	78731	SEE TABLE	GENERAL MARKET
DOCUMENT STATUS		RELEASE DATE		SHEET NUMBER	
P1		2018/05/15 11:25:15		3 OF 5	



THIS DRAWING CONTAINS INFORMATION THAT IS PROPRIETARY TO MOLEX ELECTRONIC TECHNOLOGIES, LLC AND SHOULD NOT BE USED WITHOUT WRITTEN PERMISSION									
DIMENSION UNITS		SCALE		CURRENT REV DESC: MIGRATED TO NX					
MM		NTS							
GENERAL TOLERANCES (UNLESS SPECIFIED)									
ANGULAR TOL		± 3.0 °		EC NO: 174601		2018/03/08		DDR4 DIMM, 0.85MM PITCH	
4 PLACES		±		DRWN: SMAHESHBABU		2018/05/08		288CKTS, VERTICAL PF	
3 PLACES		±		CHK'D: CGTAN		2018/05/15		PRODUCT CUSTOMER DRAWING	
2 PLACES		± 0.2		APPR: SHLENI		2018/05/15		DOCUMENT NUMBER	
1 PLACE		±		INITIAL REVISION:		2012/08/03		SD-78731-001	
0 PLACES		±		DRWN: EKSOH		2013/05/09		DOC TYPE	
DRAFT WHERE APPLICABLE		THIRD ANGLE PROJECTION		DRAWING		SERIES		DOC PART	
MUST REMAIN WITHIN DIMENSIONS				A3-SIZE		78731		REVISION	
				MATERIAL NUMBER		CUSTOMER		SHEET NUMBER	
				SEE TABLE		GENERAL MARKET		4 OF 5	

DOCUMENT STATUS	P1	RELEASE DATE	2018/05/15	11:25:15
-----------------	----	--------------	------------	----------

CKT SIZE	ASSEMBLY PART NO.	HOUSING COLOUR	LATCH COLOUR	DIM"P"	DIM"Q"	RECOMMENDED MINIMUM PCB THICKNESS	PLATING OPTION		PRODUCT SPEC. NO.	PACKAGING SPEC. NO.
							CONTACT AREA	TAIL AREA		
288	78731-1002	BLACK	BLACK	2.53	4.30	1.80	0.76 MICROMETER (30 MICROINCH) MIN GOLD ON CONTACT	0.38 TO 1.52 MICROMETER (15 TO 60 MICROINCH) MIN TIN ON SOLDER TAILS	PS-78731-001	PK-78731-001
	78731-1003	BLACK	WHITE							
	78731-1004	WHITE	BLACK							
	78731-1005	WHITE	WHITE							
	78731-1006	BLUE	BLUE							
	78731-1007	BLACK	BLACK	3.53			2.29 MICROMETER (90 MICROINCH) MIN NICKEL UNDERPLATE			
	78731-1008	BLACK	WHITE							
	78731-1009	WHITE	BLACK							
	78731-1010	WHITE	WHITE							
	78731-1011	BLUE	BLUE	2.53			0.38 MICROMETER (15 MICROINCH) MIN GOLD ON CONTACT			
	78731-2002	BLACK	BLACK							
	78731-2003	BLACK	WHITE							
	78731-2004	WHITE	BLACK							
	78731-2005	WHITE	WHITE							
	78731-2006	BLUE	BLUE	3.53			2.29 MICROMETER (90 MICROINCH) MIN NICKEL UNDERPLATE			
	78731-2007	BLACK	BLACK							
	78731-2008	BLACK	WHITE							
78731-2009	WHITE	BLACK								
78731-2010	WHITE	WHITE								
78731-2011	BLUE	BLUE								

THIS DRAWING CONTAINS INFORMATION THAT IS PROPRIETARY TO MOLEX ELECTRONIC TECHNOLOGIES, LLC AND SHOULD NOT BE USED WITHOUT WRITTEN PERMISSION

DIMENSION UNITS MM	SCALE NTS	CURRENT REV DESC: MIGRATED TO NX	molex		
GENERAL TOLERANCES (UNLESS SPECIFIED)					
ANGULAR TOL ± 3.0 °	4 PLACES ±	EC NO: 174601	DDR4 DIMM, 0.85MM PITCH 288CKTS, VERTICAL PF		
3 PLACES ±	2 PLACES ± 0.2	DRWN: SMAHESHBABU 2018/03/08	PRODUCT CUSTOMER DRAWING		
2 PLACES ±	1 PLACE ±	CHK'D: CGTAN 2018/05/08	DOCUMENT NUMBER		
1 PLACE ±	0 PLACES ±	APPR: SHLENI 2018/05/15	SD-78731-001		
DRAFT WHERE APPLICABLE MUST REMAIN WITHIN DIMENSIONS	THIRD ANGLE PROJECTION	INITIAL REVISION: DRWN: EKSOH 2012/08/03 APPR: SHLENI 2013/05/09	DOC TYPE PSD	DOC PART 001	REVISION A
		DRAWING A3-SIZE	SERIES 78731	MATERIAL NUMBER SEE TABLE	CUSTOMER GENERAL MARKET
					SHEET NUMBER 5 OF 5