

**Ordering number C12083_BROOKE-SCR-M**

Family	Brooke	FWHM	23 degrees
Type	Reflector	Efficiency	(simulated) 0 %
LED	BXRA ES Star	cd/lm	-
Color	Metal	Gerber File	Available
Diameter	45 mm		
Height	20.2 mm		
Style	Round		
Optic Material	PC		
Holder Material	-		
Fastening	Screw, glue		
Status	Ready		

**Ordering number C12084_BROOKE-SCR-W**

Family	Brooke	FWHM	42 degrees
Type	Reflector	Efficiency	(simulated) 0 %
LED	BXRA ES Star	cd/lm	-
Color	Metal	Gerber File	Available
Diameter	45 mm		
Height	20.2 mm		
Style	Round		
Optic Material	PC		
Holder Material	-		
Fastening	Screw, glue		
Status	Ready		

NOTE: The typical divergence will be changed by different color, chip size and chip position tolerance. The typical total divergence is the full angle measured where the luminous intensity is half of the peak value.



PRODUCT DATASHEET

Brooke series

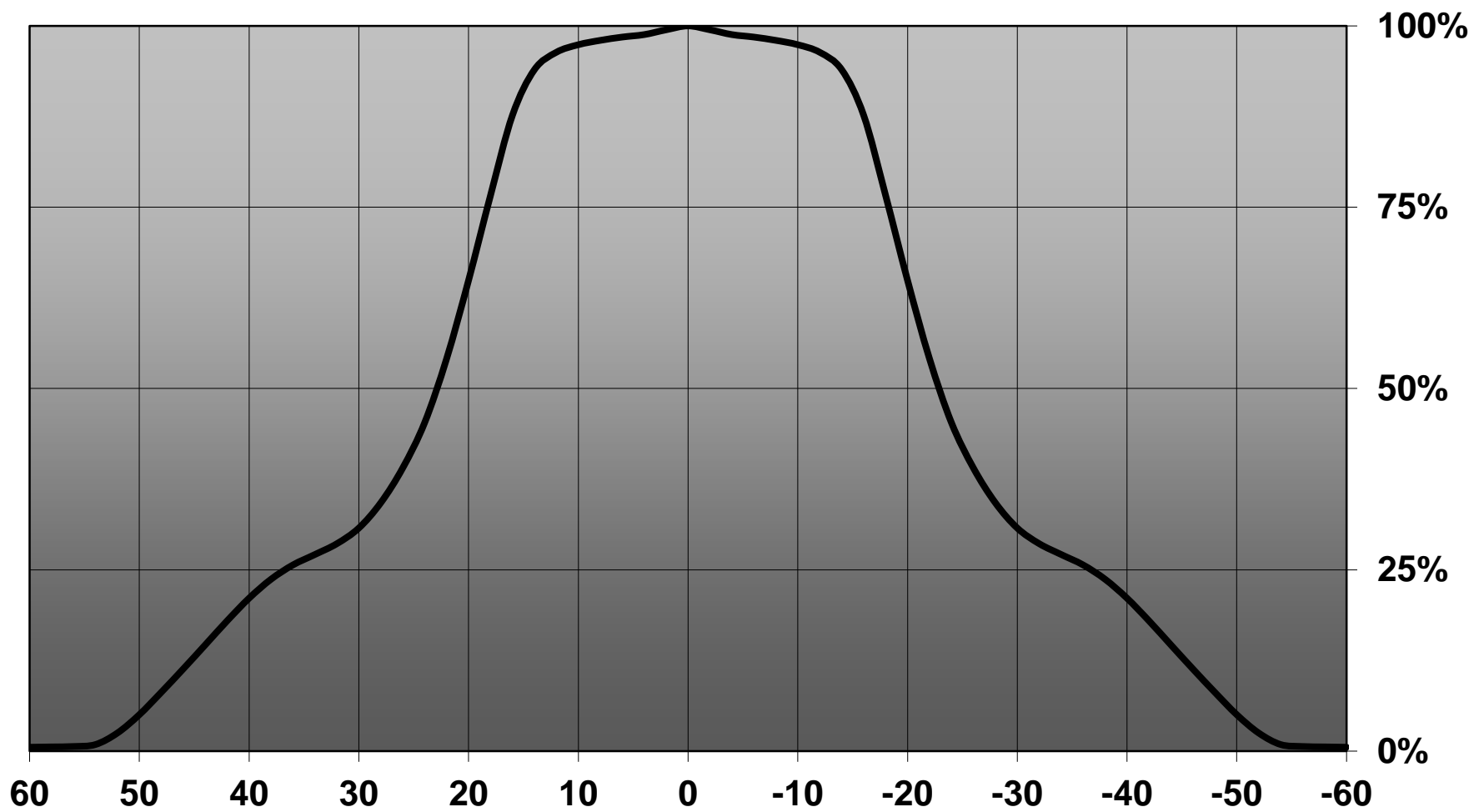
last update 29/1/2013



GENERAL INFORMATION

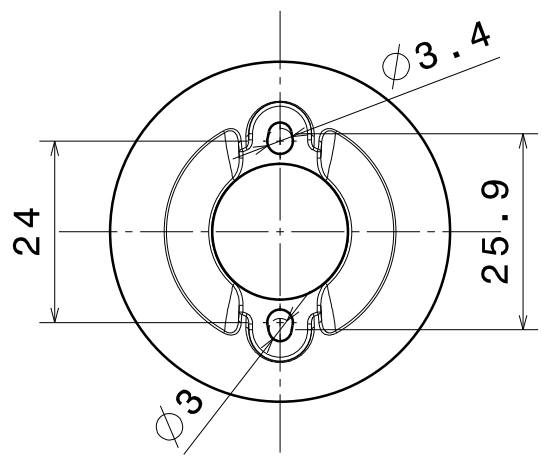
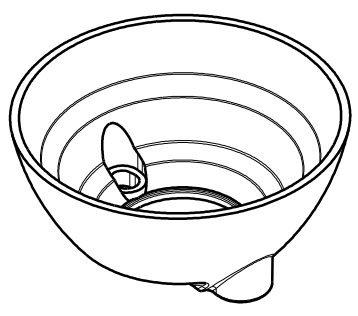
- Product series especially designed & optimized for BXRA ES Star series of LEDs.
- Special care taken to make light distribution as uniform as possible.
- Reflector is made of aluminium coated PC (120 degrees of Celcius / 248 degrees of Fahrenheit) with protective lacquer (110 degrees of Celcius / 230 degrees of Fahrenheit).

Relative intensity of C12084_Brooke-SCR-W_Cree CXA20



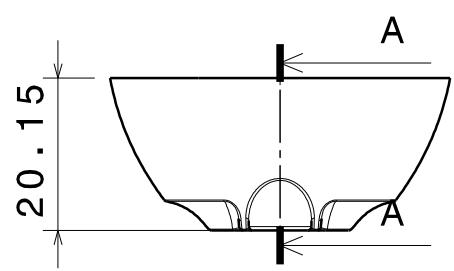
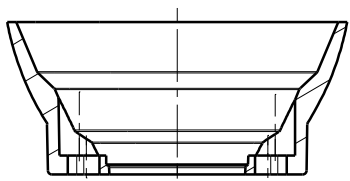
D C B A

4



4

3



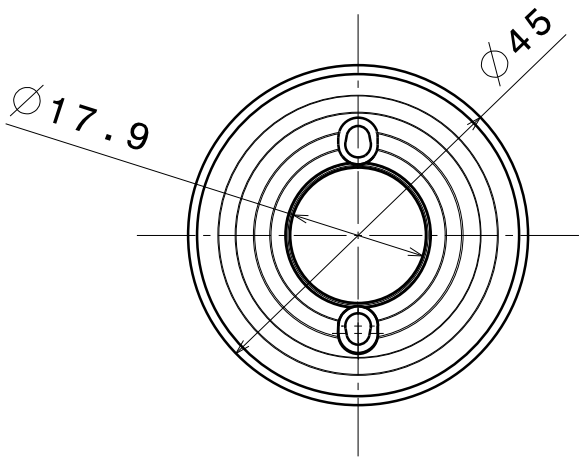
3

2

Assemblies:
 C12082_Brooke-SCR-S
 C12083_Brooke-SCR-M
 C12084_Brooke-SCR-W

Material:
 - PC, white
 - Metal coating

Tolerances:
 Dimensions +/- 0,1 if not otherwise shown.



2

1

This drawing is our property.
 It can't be reproduced
 or communicated without
 our written agreement.



Ledil Oy
 Tehdaskatu 13
 FIN-24100 SALO
 Finland

DRAWING TITLE

Datasheet Brooke-SCR Reflector

DRAWN BY
ah

DATE
17.05.2011

CHECKED BY

DATE

SIZE
A4

DRAWING NUMBER
C1208x

REV
1

DESIGNED BY
pl

DATE
04.04.2011

SCALE 1:1

WEIGHT (g)

SHEET

1/1

D A