

SERIES 48:



ACTUAL SIZE



FLEX-TECH MINIATURE SEALED PUSHBUTTON SWITCHES

This rugged multi-option sealed pushbutton series offers the utmost in choices for mounting style, colors, terminations, bezels, lighting and momentary or alternate-action switching. The Series 48 offers all these options in one compact package size.

KEY FEATURES:

- Momentary or maintained action
- Gold contacts
- Many button colors
- Choice of LED colors (or non-lighted versions)
- Long life
- Solder or PC terminals
- Panel sealed to IP 67

APPLICATIONS

- Office equipment
- Medical equipment
- Industrial machinery
- Outdoor controls
- Mass transportation
- Food processing equipment

ORDERING INFORMATION:

Switch Function	Switch Termination	Module Type	Bezel Type	LED Color	Button Color	Mounting Type	Voltage Resistor
Momentary	Solder Tabs	48-1	RB - Round, Black	N - None	RD - Red	B - Bushing	If Blank*
Maintained	Solder Tabs	48-2	SB - Square, Black	R - Red	GR - Green	S - Snap-fit	05 - 5V forward
Momentary	PC	48-5	RC - Round, Chrome	G - Green	BK - Black	↑	12 - 12V forward
Maintained	PC	48-6	SC - Square, Chrome	Y - Yellow	BL - Blue		24 - 24V forward
				A - Amber	YL - Yellow		
				B - Blue	OR - Orange		
				W - White	CR - Chrome		

48-X
-XX
-X
-XX
-X
-X

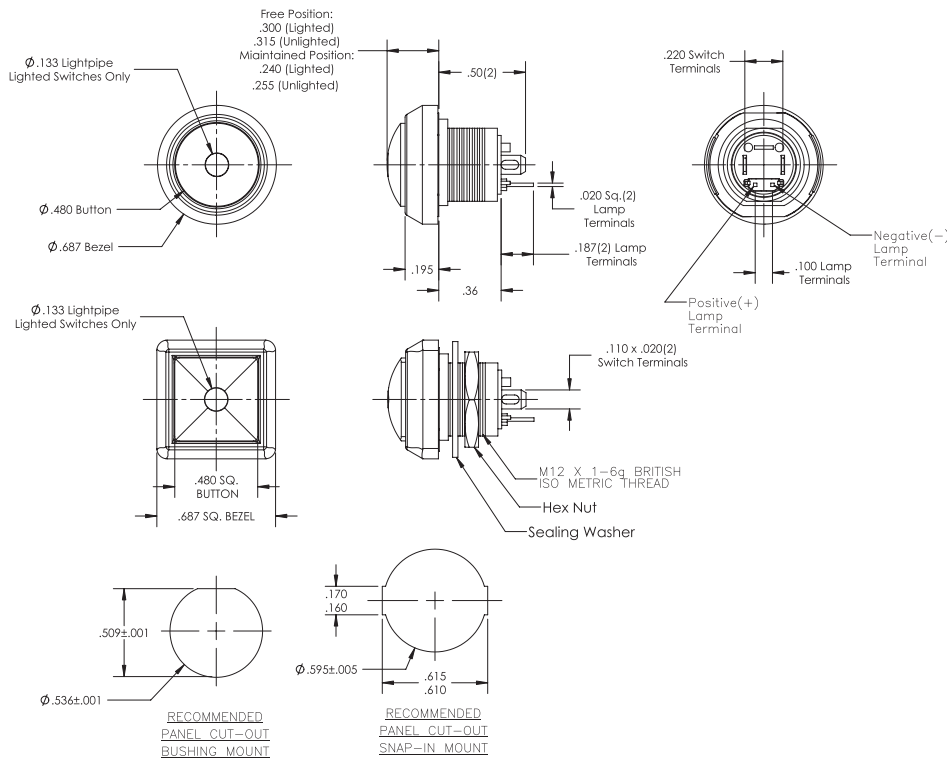
ACCESSORIES — CABLE QUICK CONNECTS

Part Number	Description	Length	Spacing (CL)
80-480084	Connectors on both ends to fit PCB terminals	20 inches	0.200
80-480085	Connector on one end to fit PCB terminals and stripped wires on the other	20 inches	0.200
80-480086	Connectors on both ends to fit LED terminals	20 inches	0.100
80-480087	Connector on one end to fit LED terminals and stripped wires on the other	20 inches	0.100

STANDARDS / AGENCY / RATINGS:



SOLDER TAB TERMINALS



MECHANICAL / ELECTRICAL CHARACTERISTICS:

Circuit:

SPST-NO-DB

Button travel (nominal):
0.09 inches / 2.3 mm

Life (mechanical) (nominal):
1,000,000 cycles (momentary)
100,000 cycles (maintained)

Operating force (nominal):
3N / 306 grams

Contact bounce (nominal):
1 millisecond

Panel thickness:
0.02 – 0.12 inches / 0.5 – 3mm

Temperature index:
-40°F to + 185°F

Current ratings:
400mA, 32 VAC Resistive
100 mA, 50 VDC Resistive
125mA, 125 VAC Resistive

Dielectric strength:
1,000 VAC

Insulation resistance:
1G OHM

Contact resistance:
50m OHMS Max (initial)

Torque (max):
10 inch pounds

* Current limiting resistor is required to limit LED forward Current to 20 mA. (not included).

PC TERMINALS

