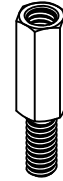
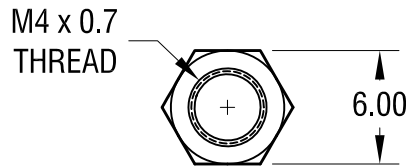
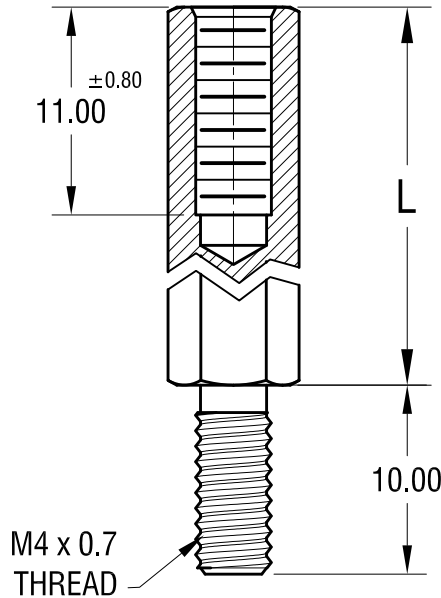


THIS DOCUMENT IS THE PROPERTY OF
KEYSTONE ELECTRONICS CORP. AND
SHALL NOT BE REPRODUCED, DISTRIBUTED
OR USED AS A BASIS FOR MANUFACTURE
WITHOUT PRIOR WRITTEN PERMISSION
FROM KEYSTONE ELECTRONICS CORP.

ACTUAL SIZE



P/N 24351



PART NO.	'L' DIM.
24351	15.00
24352	18.00
24353	20.00
24354	25.00

NOTE:

1. ALL DIMENSIONS ARE IN MILLIMETERS

KEYSTONE ELECTRONICS CORP.			
www.keyelco.com • NEW HYDE PARK, NY 11040 • Tel (516) 328-7500			
PART NAME			
6 mm HEX M/F STANDOFF			
MATERIAL			
LEAD FREE ALUMINUM			
FINISH		DRN BY	DATE
CLEAR IRIDITE		BOONE	5.08.06
		APP'D	SCALE
		MR	2.5X
TOLERANCES	INCH [MM]	CODE	DWG NO.
DECIMAL	± .005 [± 0.13]	C	24351- 24354
ANGULAR	± 1°		
			UNLESS OTHERWISE SPECIFIED

10.19.23	CHANGE AS PER ECN 23-208	A
DATE	DESCRIPTION	REV.