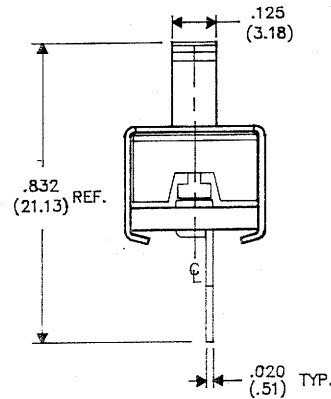
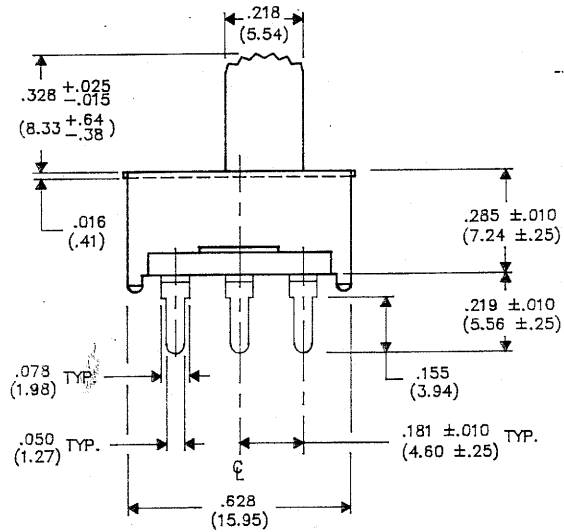
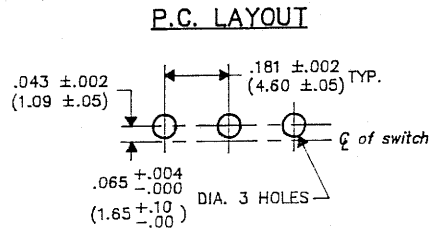
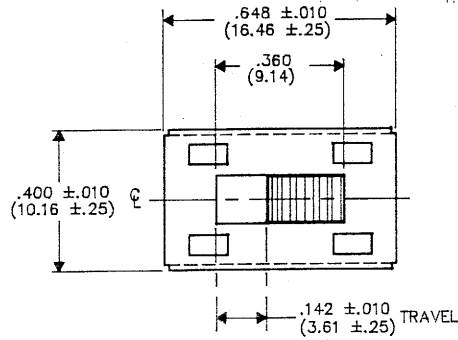


DIMENSIONS IN INCHES (MILLIMETERS)
DO NOT SCALE DRAWING...

Drawing No. GF-124-0069



B - FORM 0
REVISIONS
RELEASED
DGW 1-20-94

CW INDUSTRIES
Southampton, Pa. 18966

TOLERANCES UNLESS OTHERWISE SPECIFIED
2 Place decimal ±.010 METRIC
3 Place decimal ±.005 1 Place dec. ±.25 MM
Angles ±1° 2 Place dec. ±.13 MM

Made for CW IND.
Drawn by DGW 1-20-94
Checked by G. GULLI 1-21-94
Approval 7352 1-21-94

Title
**SWIDGET
ASSEMBLY
S.P. - D.T.
ROUND KNURL**

Division
SWITCH

Drawing No.
GF-124-0069

Mouser Electronics

Authorized Distributor

Click to View Pricing, Inventory, Delivery & Lifecycle Information:

[CW Industries:](#)

[GF-124-0069](#)