



preci-dip

Home

About Us

Products

Technical Assistance

Distributors & Reps

Distributors Login

Contact Us

Job Opportunities

Newsletters

NEWS

[June 2011] 49th Paris Air Show

More >>

swiss world connects

Search by product code:

SPRING-LOADED
CONNECTORS

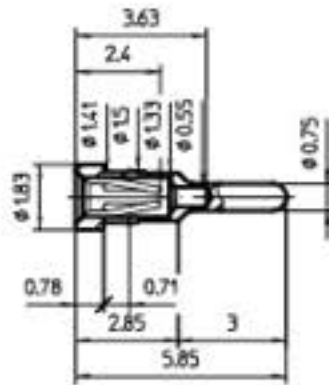
PCB CONNECTORS

DIL / SIL / TO
SOCKETS

PGA / BGA / PLCC
SOCKETS

SO

For other versions than the listed available standard types, please contact us.



SPECIFICATIONS:

- Socket contact with solder
- Press-in mount into d
- Materials: body brass
- Electrical contact resi
- Mechanical life min. 5

AVAILABLE STANDARD TYPES

Ordering Part Number	Plating Body	Plating Clip	Insertion	Extraction
01501-83-3010	RoHS 5µm Sn	0.75µm Au	2.00 N	1.00 N

PRINT

SITEMAP

HOME