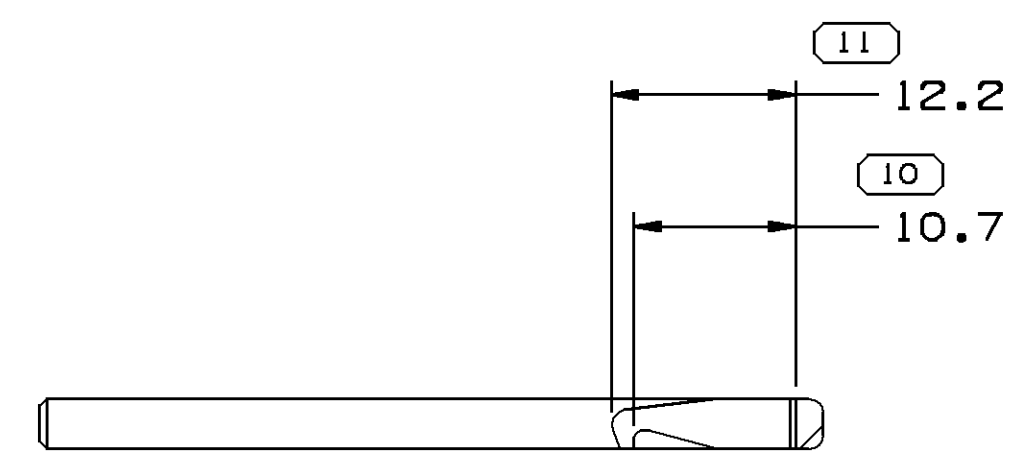
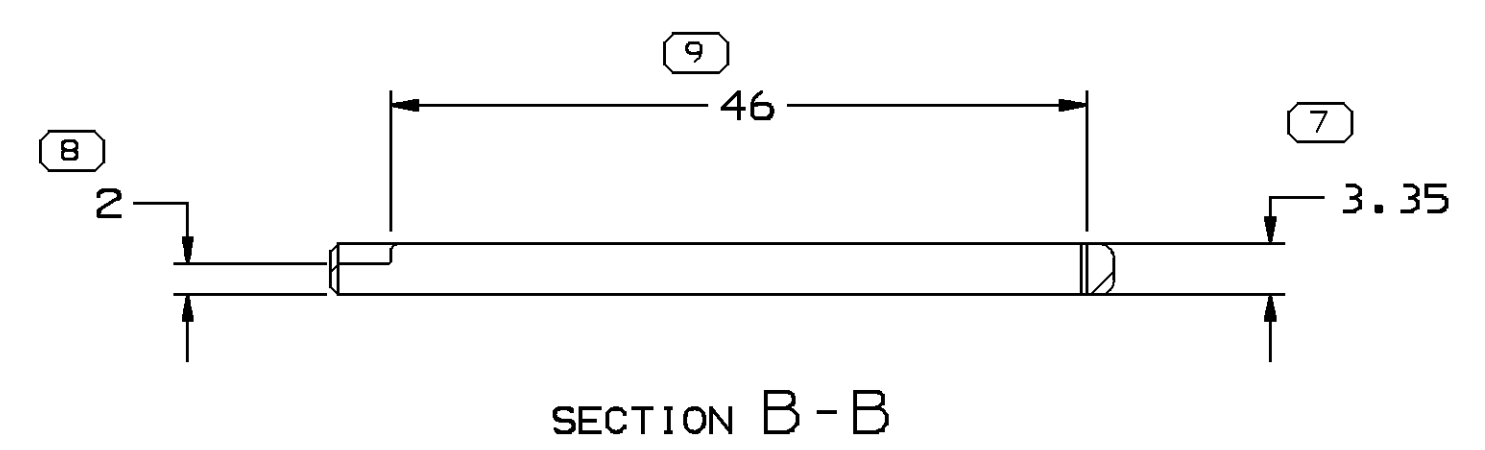
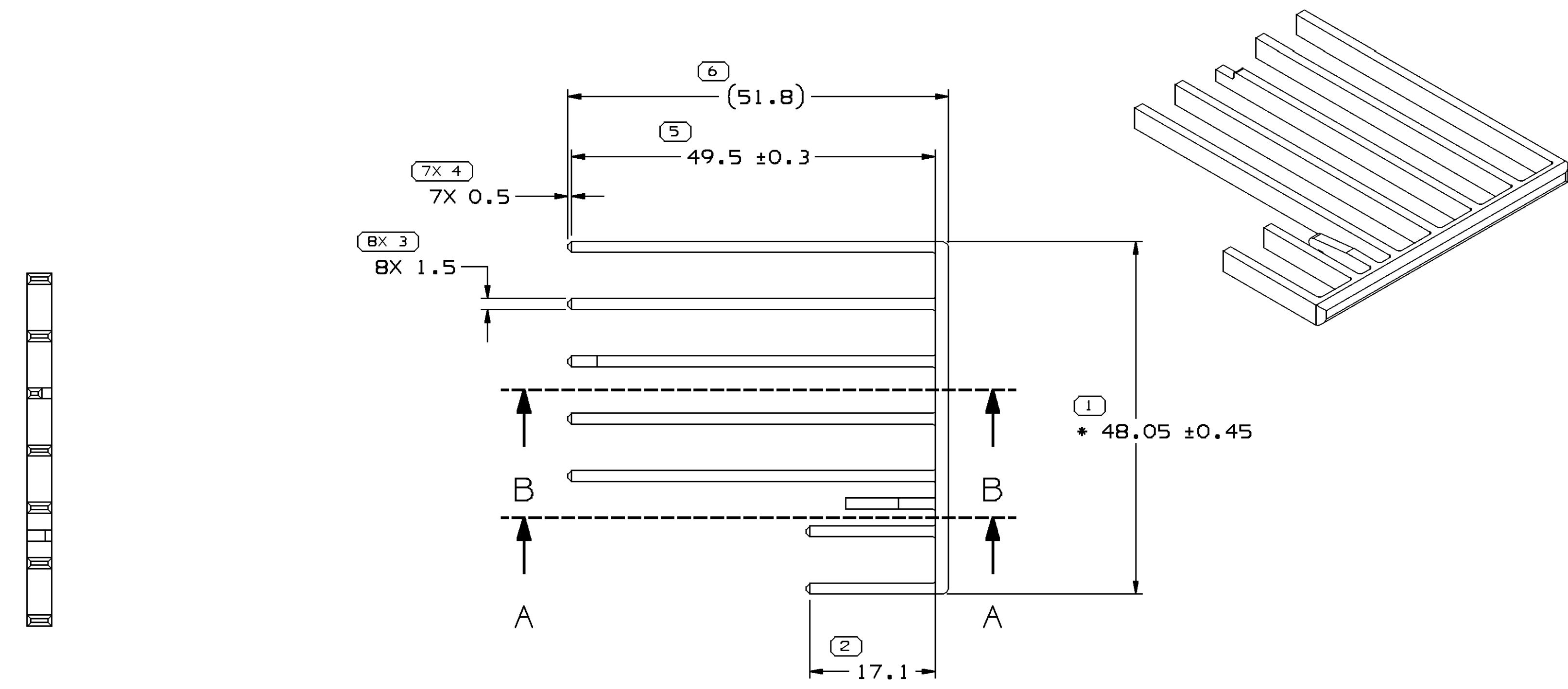


| SYMBOL DEFINITION  |                                  | MISSING SYMBOLS          |  |
|--|----------------------------------|--------------------------|--|
| A DIMENSION WITHOUT AN INSPECTION REPORT SYMBOL ( ) DOES NOT REQUIRE INSPECTION. IT MAY BE CONTROLLED ON THE INDIVIDUAL COMPONENT DRAWING. | TOTAL NO OF INSPECTIONS REQUIRED | NO MISSING SYMBOL NUMBER |  |
|  | 24                               |                          |  |
|  | LAST NO. USED                    |                          |  |
|  | 11                               |                          |  |

| DWG STATUS |     |     |     | ZONE | REVISION HISTORY   | AUTH   | DR  | APVD1 | APVD2 |
|------------|-----|-----|-----|------|--|--------|-----|-------|-------|
| DATE       | STG | REV | N/P |      |  |        |     |       |       |
| 14AP05     | R   | B6  | -   | -    | MAT'L SPEC. WAS R0100111 PBT HS IM BLU. ADDED DELPHI LOGO & RECYCLING NOTES. | 266565 | MVS | VSH   | ET    |
| 01JL08     | R   | B7  | -   | -    | REVISED DIM (1 PLC)  | 405304 | AGN | AGN   | AGN   |
| 30AP09     | R   | B8  | -   | -    | CORRECTED TITLE NAMES AND GRAPHICS   | 407936 | AGN | AGN   | AGN   |



- NOTES:**
- UNLESS OTHERWISE SPECIFIED AND/OR INDICATED:  
DIMENSIONS ARE TO FACE OF VIEW SHOWN.  
CAVITIES ARE IDENTICAL.  
LOCKING FEATURES ARE IDENTICAL.
  - MATERIAL RECYCLING CODE PER ISO 11469 (2.3) X (0.1) RAISED CHARACTERS AS SHOWN TO BE LOCATED ON ANY EXTERIOR SURFACE. OPTIONAL CONSTRUCTION TO BE NO MATERIAL RECYCLING NOTES.
  - THIS PART IS NOT CONTROLLED FOR AUTOMATIC FEEDING.
  - (2.3) X (0.1) RAISED DELPHI CORPORATE BRAND TO BE LOCATED ON ANY EXTERIOR SURFACE, PREFERABLY VISIBLE AT FINAL ASSEMBLY. OPTIONAL CONSTRUCTION TO BE "PED" OR NO LOGO.
  - MATING CONNNECTOR: 12129592 OR EQUIVALENT.
  - FOR POLYSTER IN-PROCESS MOISTURE & PART DEGRADATION LIMITS SEE ESO-1502 CLASS 1.
  - \* DIMENSION TO BE MEASURED AT BASE OF PART WITH BASE HELD IN FLAT, STRAIGHT POSITION.
  - THIS PRODUCT IS NOT CATEGORIZED AS AN APPEARANCE ITEM, MINOR IMPERFECTIONS INCLUDING, BUT NOT LIMITED TO, FLOW MARKS, COLOR BLEMISHES, GATE VESTIGE, AND SOFT FLASH THAT DO NOT AFFECT THE FIT, FORM, OR FUNCTION OF THE PART ARE PERMISSIBLE PER DPNP 4.7-CS-01.

| DIMENSIONAL RANGE (MM) |       | CHART ET |       |
|------------------------|-------|----------|-------|
| FROM                   | TO    | > 0      | > 300 |
| > 0                    | > 20  | > 30     | > 100 |
| > 20                   | > 30  | > 70     | > 150 |
| > 30                   | > 70  | > 100    | > 200 |
| > 70                   | > 100 | > 150    | > 250 |
| > 100                  | > 150 | > 200    | > 300 |
| > 150                  | > 200 | > 250    | > 400 |

TOLERANCE UNLESS OTHERWISE SPECIFIED

|       |      |      |      |      |      |      |    |      |
|-------|------|------|------|------|------|------|----|------|
| ±0.15 | ±0.2 | ±0.3 | ±0.4 | ±0.5 | ±0.6 | ±0.8 | ±1 | ±1.2 |
|-------|------|------|------|------|------|------|----|------|

ANGULAR TOLERANCE ±2°

|  |                               |
|--|-------------------------------|
| DWG TYPE<br><b>PART DRAWING</b>  |                               |
| STYLE  |                               |
| VOLUME (C/P)<br>1.73B  | DISTR CODE<br>D               |
| UNLESS OTHERWISE SPECIFIED<br>THIS DOCUMENT IS IN ACCORDANCE WITH ASME Y14.5M-1994 AS AMENDED BY THE 0M GLOBAL DIMENSIONING AND TOLERANCING ADDENDUM - 1997. ALL GEOMETRIC TOLERANCES AND RELATED DATUMS APPLY RFS. RULE #1 (PERFECT FORM AT MMVC) DOES NOT APPLY WHEN RELATIONSHIP BETWEEN FEATURES IS ESTABLISHED BY ORIENTATION OR LOCATION TOLERANCES. SEPARATE POSITION CALLOUTS MAY BE GAGED SEPARATELY, REGARDLESS OF DATUM REFERENCE.<br>ALL DIMENSIONS ARE IN MILLIMETERS |                               |
| REFERENCE  |                               |
| THIRD ANGLE PROJECTION   | DO NOT SCALE<br>USE MATH DATA |

**DELPHI**  
DELPHI PACKARD ELECTRICAL/ELECTRONIC ARCHITECTURE  
WARREN, OH

|       |               |      |        |
|-------|---------------|------|--------|
| DR    | M.V.SANTOSH   | DATE | 14AP05 |
| APVD1 | VINEET SHARMA |      | 14AP05 |
| APVD2 | KULDEEP RAJA  |      | 14AP05 |
| APVD3 | ERIC TRACEY   |      | 14AP05 |
| APVD4 |               |      |        |
| APVD5 |               |      |        |

SUBSTANCES OF CONCERN AND RECYCLED CONTENT PER DELPHI 10945001

MATERIAL  
M4695008 PBT HS IM BLU

DRAWING NAME  
LOCK SECONDARY COMB

DRAWING NUMBER  
12129530

|      |       |          |          |     |     |     |
|------|-------|----------|----------|-----|-----|-----|
| SIZE | SCALE | FRAME NO | SHEET NO | STG | REV | N/P |
| A1   | 2:1   | 1 OF 1   | 1 OF 1   | R   | B8  | -   |

# Mouser Electronics

Authorized Distributor

Click to View Pricing, Inventory, Delivery & Lifecycle Information:

[Aptiv:](#)

[12129530](#)