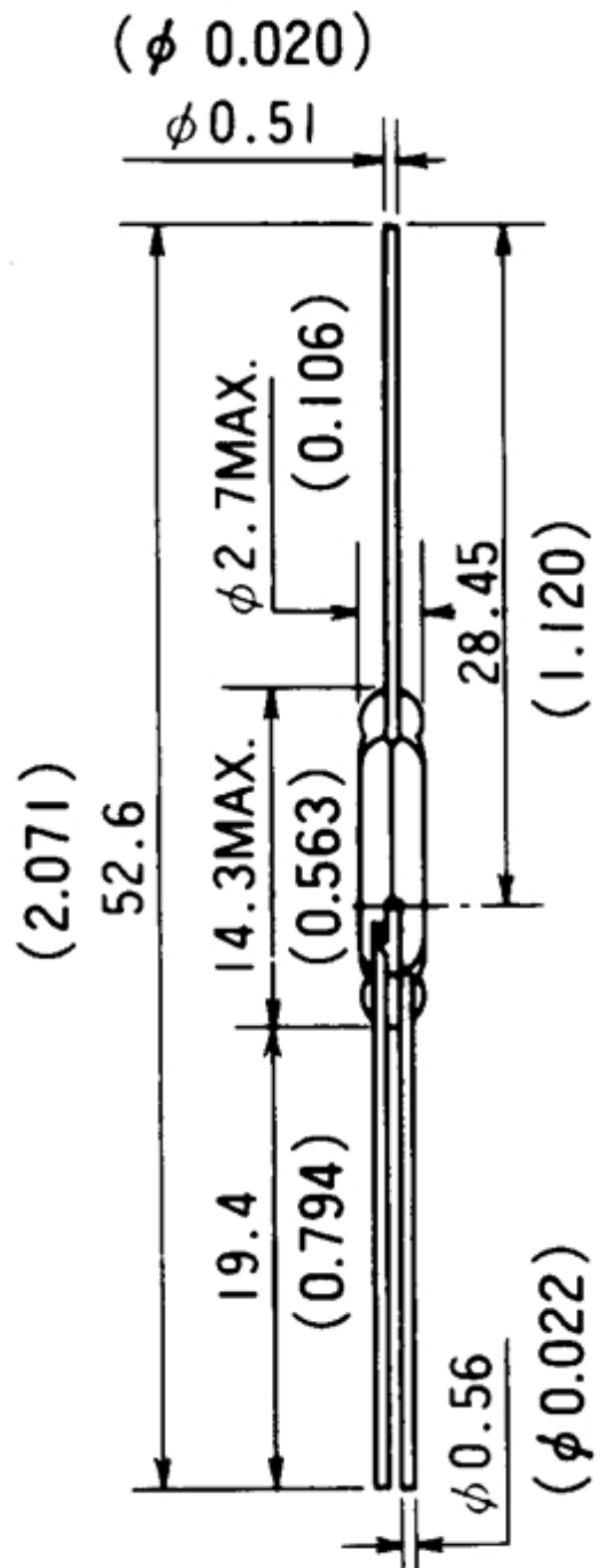


HYR - 1555 - Form "C"

Specifications/Dimensions

Item	Value
Contact Form	1C
Contact Position ¹	O
Contact Material	Ruthenium ³
Max. Contact Rating	3W
Max. Switching Voltage	100VDC
Max. Switching current	0.25A
Max. Initial Contact Resistance	200mW
Pull in Value (AT)	15-50
Min. Drop out Value (AT)	7
Min. Breakdown Voltage ²	200VDC
Max. Contact Capacitance	0.8pF
Min. Insulation Resistance	10 ⁹ W
Typ. Resonant Frequency	2.4kHz
Electrical Life (Resistive loads)	10 ⁸ (10mVDC, 10 μA) 2 X 10 ⁶ (12VDC, 250mA)
Features	Single pole, double throw

1. C: Center gap O: Off center gap
2. Breakdown voltage specifications are based on Pull - In sensitivity of 25 AT or higher. Contact ALEPH for information for switches with less than 25 AT sensitivity. HYR4000, HYR5000, HYR9000 Series are specified on basis of the lowest AT Pull - In sensitivity range.
3. Ruthenium Oxide over Rhodium.



Test Coil - TC-0502

Number of Turns	5,000
Wire Gauge	AWG #40
Coil Resistance	420W

Test Coil

