

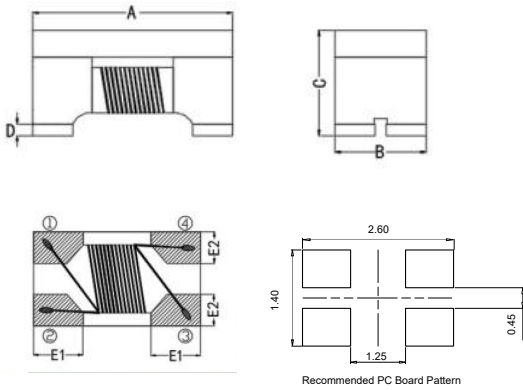


Common Mode Choke

1. High common mode impedance at high frequency cause excellent noise suppression performance.
2. SCM2012NFseries realizes small size and low profile. 2.0x1.2x1.2 mm.
3. 100% Lead(Pb) & Halogen-Free and RoHS compliant.

Part Number	Common mode Impedance (Ω)	Test Frequency (MHz)	DC Resistance (Ω) max.	Rated Current (mA)max.	Rated Volt. (Vdc)max.	Withstand Volt. (Vdc) max.	IR (Ω) min.
SCM2012NF801T S	800±25%	100	0.88	300	50	125	10M

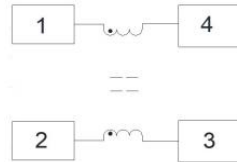
MECHANICAL



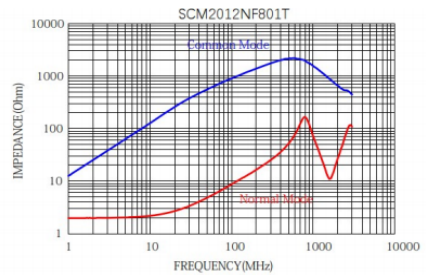
Series	A(mm)	B(mm)	C(mm)	D(mm)	E1(mm)	E2(mm)
2012NF	2.0±0.2	1.2±0.2	1.2±0.2	0.15±0.1	0.51±0.1	0.51±0.1

Dimension: mm

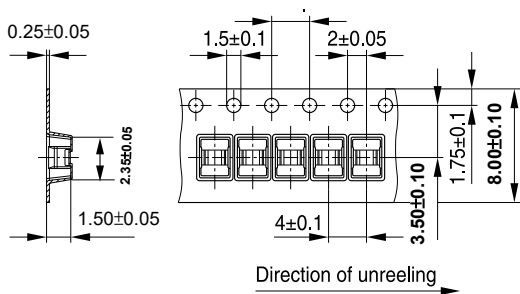
SCHEMATICS



IMPEDEANCE FREQUENCY

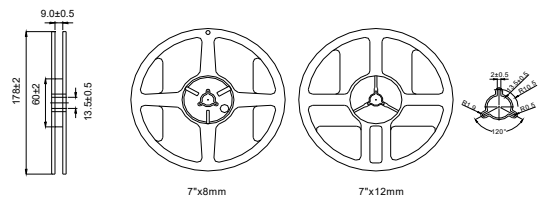


TAPING AND PACKING



IND1752-J-E

Reel



Dimensions in mm

Quantity (pcs):
2000 PCS PER REEL
5 REELS PER CARTON
10000PCS PER CARTON