

Product data sheet

Specifications



Inductive proximity sensors XS, inductive sensor XS8 40x40x117, PBT, Sn20 mm, 12...48 VDC, terminals

XS8C4A1PCP20

Main

Range Of Product	Telemecanique Inductive proximity sensors XS
Series Name	General purpose
Sensor Type	Inductive proximity sensor
Device Application	Mobile equipment
Sensor Name	XS8
Sensor Design	Form 40 x 40 x 117
Size	117 mm
Body Type	Fixed
Detector Flush Mounting Acceptance	Flush mountable
Material	Plastic
Enclosure Material	PBT
Type Of Output Signal	Discrete
Wiring Technique	4-wire
[Sn] Nominal Sensing Distance	20 mm
Discrete Output Function	1 NO + 1 NC
Output Circuit Type	DC
Discrete Output Type	PNP
Electrical Connection	Screw-clamp terminals, 4 x 1.5 mm ²
[Us] Rated Supply Voltage	12...48 V DC with reverse polarity protection
Switching Capacity In Ma	<= 200 mA with overload and short-circuit protection
Ip Degree Of Protection	IP67 conforming to IEC 60529 IP65 conforming to IEC 60529 IP69K conforming to DIN 40050

Complementary

Safety Level	SIL 2 conforming to IEC 61508 PL = d conforming to ISO 13849-1 SILCL 2 conforming to IEC 62061
Safety Reliability Data	MTTFd = 1546 years PFHd = 7.4E-8 1/h SFF = 92 % DC = 75 % with appropriate safety controller
Detection Face	5 positions turret head
Front Material	PBT

Operating Zone	0...16 mm
Differential Travel	3...15% of Sr
Repeat Accuracy	<= 3% of Sr
Cable Entry Number	1 tapped entry for M20 x 1.5 cable gland
Status Led	Supply on: 1 LED (green) Output state: 1 LED (yellow)
Supply Voltage Limits	10...58 V DC
Switching Frequency	<= 300 Hz
Maximum Voltage Drop	<2 V (closed)
Current Consumption	0...15 mA no-load
Maximum Delay First Up	7.5 ms
Maximum Delay Response	1.2 ms
Maximum Delay Recovery	1.8 ms
Marking	CE
Height	40 mm
Length	40 mm
Width	117 mm
Net Weight	0.244 kg

Environment

Product Certifications	E2 CCC UL TÜV CSA
Ambient Air Temperature For Operation	-25...70 °C
Ambient Air Temperature For Storage	-40...85 °C
Vibration Resistance	25 gn amplitude = +/- 2 mm (f = 10...55 Hz) conforming to IEC 60068-2-6
Shock Resistance	50 gn for 11 ms conforming to IEC 60068-2-27

Packing Units

Unit Type Of Package 1	PCE
Number Of Units In Package 1	1
Package 1 Height	14.500 cm
Package 1 Width	5.000 cm
Package 1 Length	5.000 cm
Package 1 Weight	256.000 g
Unit Type Of Package 2	S02
Number Of Units In Package 2	14
Package 2 Height	15 cm
Package 2 Width	30 cm
Package 2 Length	40 cm
Package 2 Weight	3.840 kg

Contractual warranty

Warranty

18 months

Sustainability

Green Premium™ label is Schneider Electric's commitment to delivering products with best-in-class environmental performance. Green Premium promises compliance with the latest regulations, transparency on environmental impacts, as well as circular and low-CO₂ products.

Guide to assessing product sustainability is a white paper that clarifies global eco-label standards and how to interpret environmental declarations.

[Learn more about Green Premium >](#)

[Guide to assess a product's sustainability >](#)



RoHS/REACH

Well-being performance

✓ Mercury Free

✓ Rohs Exemption Information Yes

Certifications & Standards

Reach Regulation

[REACH Declaration](#)

Eu Rohs Directive

Pro-active compliance (Product out of EU RoHS legal scope)

Circularity Profile

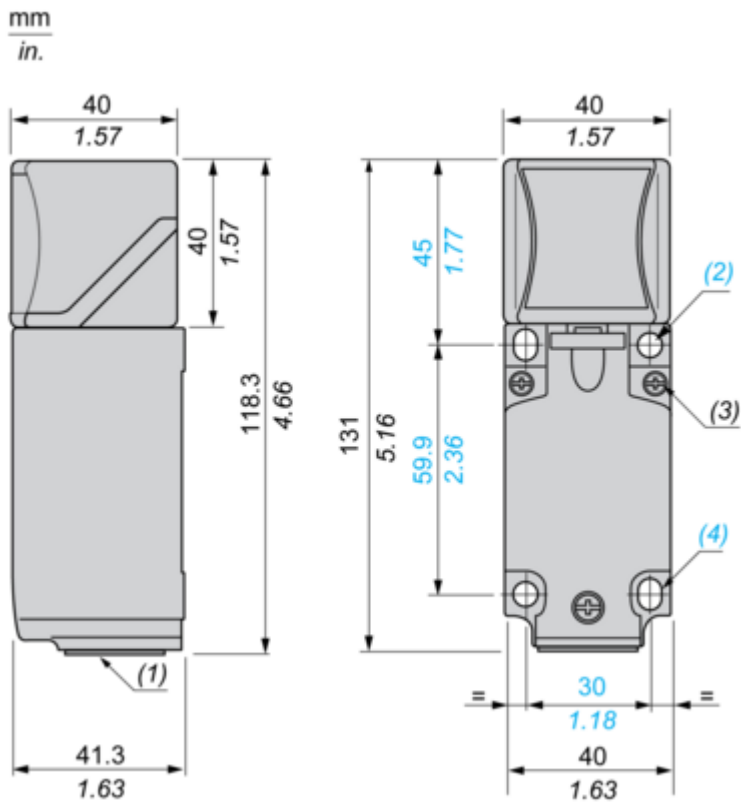
No need of specific recycling operations

California Proposition 65

WARNING: This product can expose you to chemicals including: Diisononyl phthalate (DINP), which is known to the State of California to cause cancer, and Diisodecyl phthalate (DIDP), which is known to the State of California to cause birth defects or other reproductive harm. For more information go to www.P65Warnings.ca.gov

Dimensions Drawings

Dimensions



(1) : M20 x 1.5 cable gland.

(2) : 2 holes Ø 5,45 mm / Ø 0.21 in. Tightening torque: < 1,5 Nm / < 13.3 lb-in.

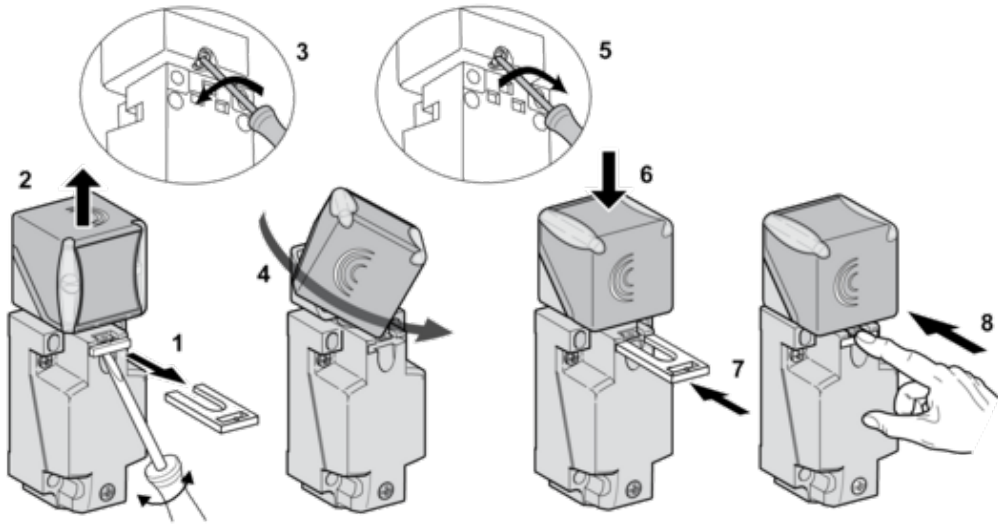
(3) : 3 screws M3,5. Tightening torque: < 1,2 Nm / < 10.6 lb-in.

(4) : 2 elongated holes 5,4 x 7,4 mm / 0.21 x 0.29 in. Tightening torque: < 1,5 Nm / < 13.3 lb-in".

Mounting and Clearance

Mounting

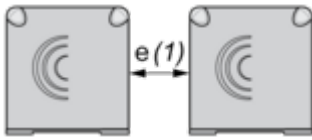
Head Positions



Setting-up Precautions

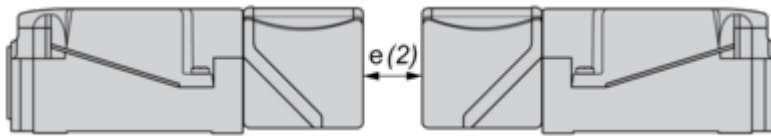
Minimum Mounting Distances (mm)

Side by Side



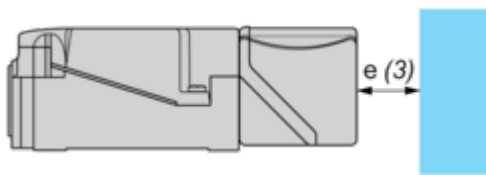
$e(1) \geq 80$

Face to Face



$e(2) \geq 160$

Facing a Metal Object

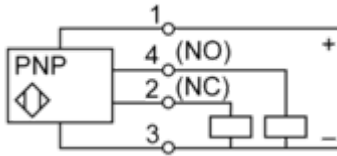


$e(3) \geq 60$

Connections and Schema

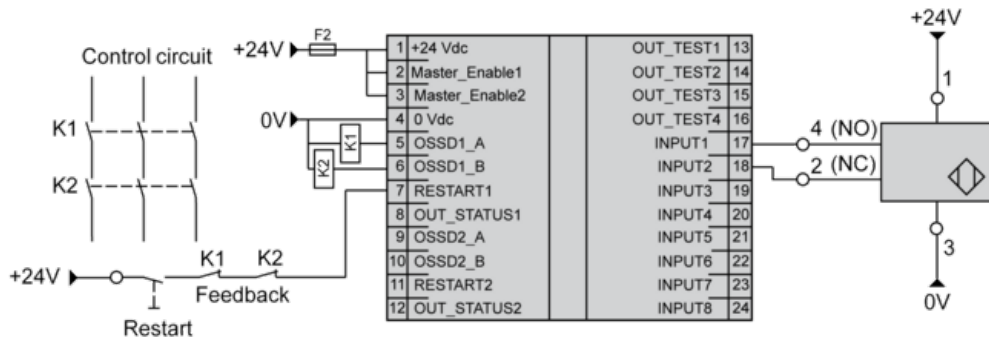
Wiring Schemes

4-Wire DC



SIL 2 Wiring Scheme

With Preventa XPSMF40 Safety PLC



SFF : (Safe Failure Fraction): 92,68 %

DC : (Diagnosis Coverage): 75,8 %