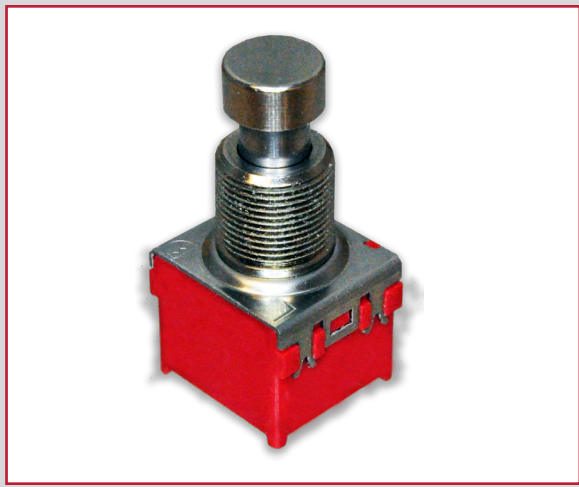


# FS5700 SERIES PUSHBUTTON SWITCH

ANTI-VANDAL SWITCHES  
DETECTOR SWITCHES  
DIP SWITCHES  
KEYLOCK SWITCHES  
NAVIGATION SWITCHES  
PUSHBUTTON SWITCHES  
ROCKER SWITCHES  
ROTARY SWITCHES  
SLIDE SWITCHES  
SNAP ACTION SWITCHES  
TACTILE SWITCHES  
TOGGLE SWITCHES  
CAP OPTIONS



## APPLICATIONS / MARKETS



Gaming: Flight Simulation



Home Appliances



Floor Care Appliances



Industrial Controls



Medical / Dental



Foot Switch

# RoHS

## SPECIFICATIONS

**Contact Rating:** 1A @ 9VDC  
**Electrical Life:** 30,000 Cycles  
**Contact Resistance:** 50mΩ Initial  
**Insulation Resistance:** 100MΩ @ 500VDC  
**Dielectric Strength:** 1000V RMS  
**Operating Temperature:** -10°C to 70°C  
**Storage Temperature:** -10°C to 70°C  
**Full Travel:** SP & DP: 2.7mm; 3P: 5.0mm  
**Contact Arrangement:** SPDT, DPDT or 3PDT  
**Actuation Force:** Single pole momentary: 1700gf  
 Single pole alternate action: 1000gf  
 Double pole momentary: 2500gf  
 Double pole alternate action: 1600gf  
 3 pole alternate action: 3000gf  
**Panel Thickness:** 8mm Max.

## FEATURES & BENEFITS

- SPDT, DPDT or 3PDT
- Momentary or alternate action functions
- High actuation force
- PCB mount or panel mount option

## PART NUMBER CONFIGURATOR

Series	Circuit	Function	Actuator	Bushing	Terminal	Contact Material	Sealing	Hardware
<input type="text" value="FS5700"/>	<input type="text" value="SP"/> SP - Single Pole <input type="text" value="DP"/> DP - Double Pole <input type="text" value="3P"/> 3P* - 3 Pole	<input type="text" value="L"/> L - Alternate Action <input type="text" value="M"/> M - Momentary	<input type="text" value="T2"/> T2 - 10mm dia.	<input type="text" value="B2"/> B2 - 11.5 high	<input type="text" value="M1"/> M1 - Solder Lug <input type="text" value="M2"/> M2 - PCB Pins	<input type="text" value="Q"/> Q - Silver	<input type="text" value="E"/> E - Epoxy	<input type="text" value="H"/> H** - Hardware

\*3P only available in "L" function  
 \*\*Hardware only provided with "M1" termination

Specifications subject to change without notice 4.2.2018



E-SWITCH®

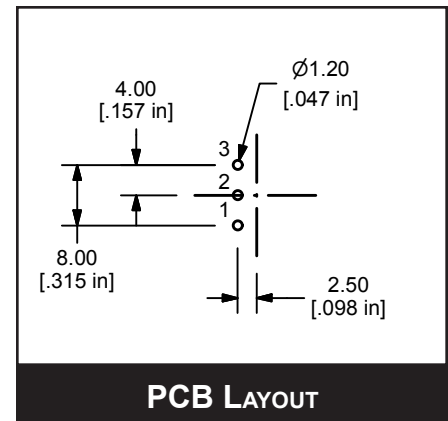
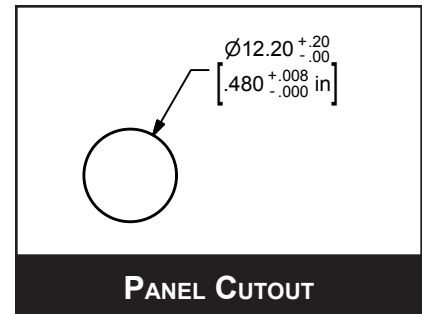
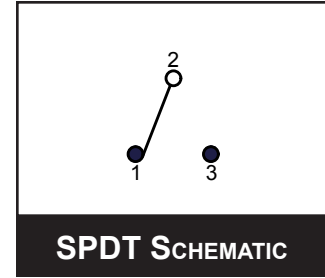
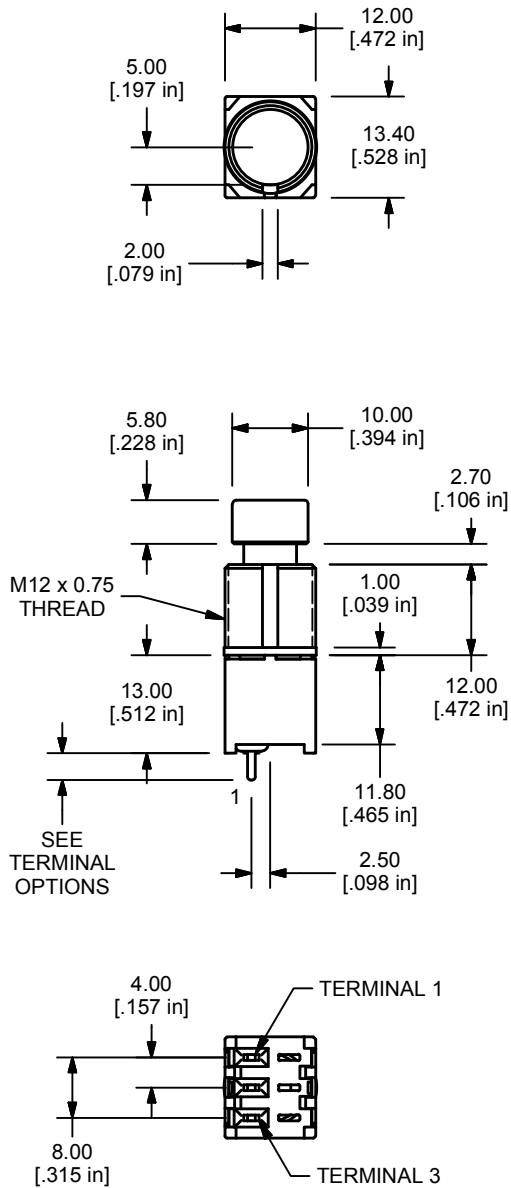
www.e-switch.com

800.867.2717

1

# FS5700 SERIES PUSHBUTTON SWITCH

SINGLE POLE

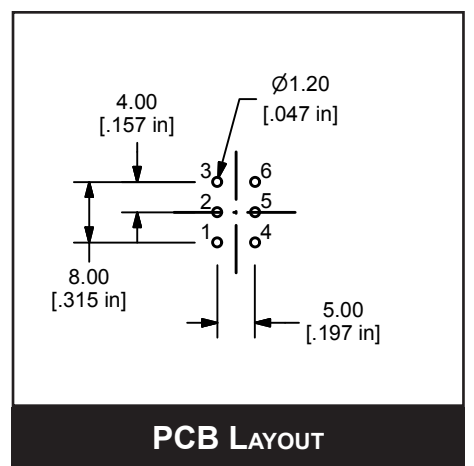
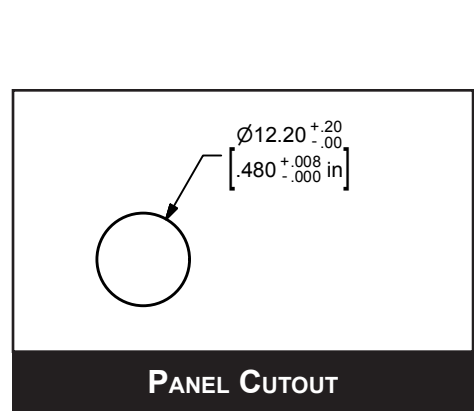
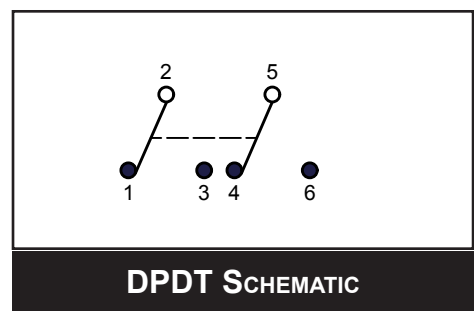
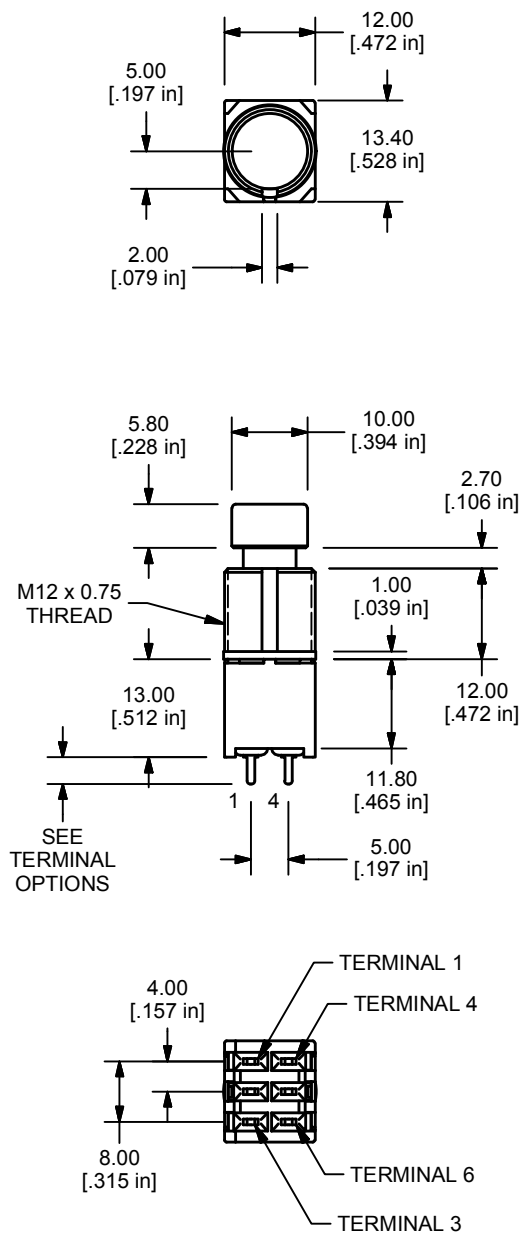


ANTI-VANDAL SWITCHES  
 DETECTOR SWITCHES  
 DIP SWITCHES  
 KEYLOCK SWITCHES  
 NAVIGATION SWITCHES  
**PUSHBUTTON SWITCHES**  
 ROTARY SWITCHES  
 SLIDE SWITCHES  
 SNAP ACTION SWITCHES  
 TACTILE SWITCHES  
 TOGGLE SWITCHES  
 CAP OPTIONS

# FS5700 SERIES PUSHBUTTON SWITCH

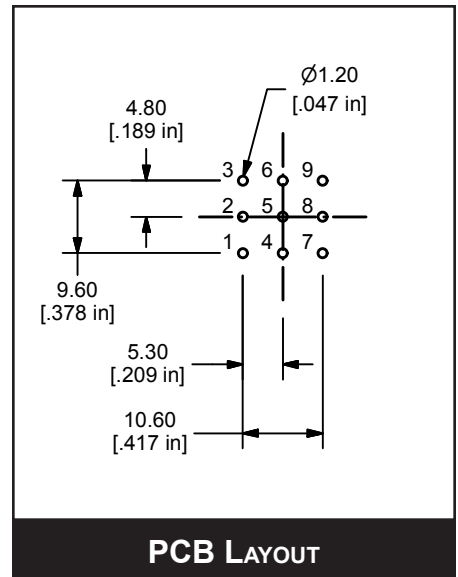
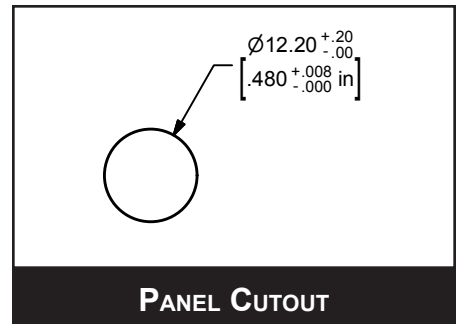
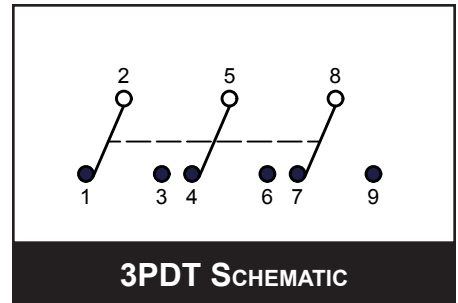
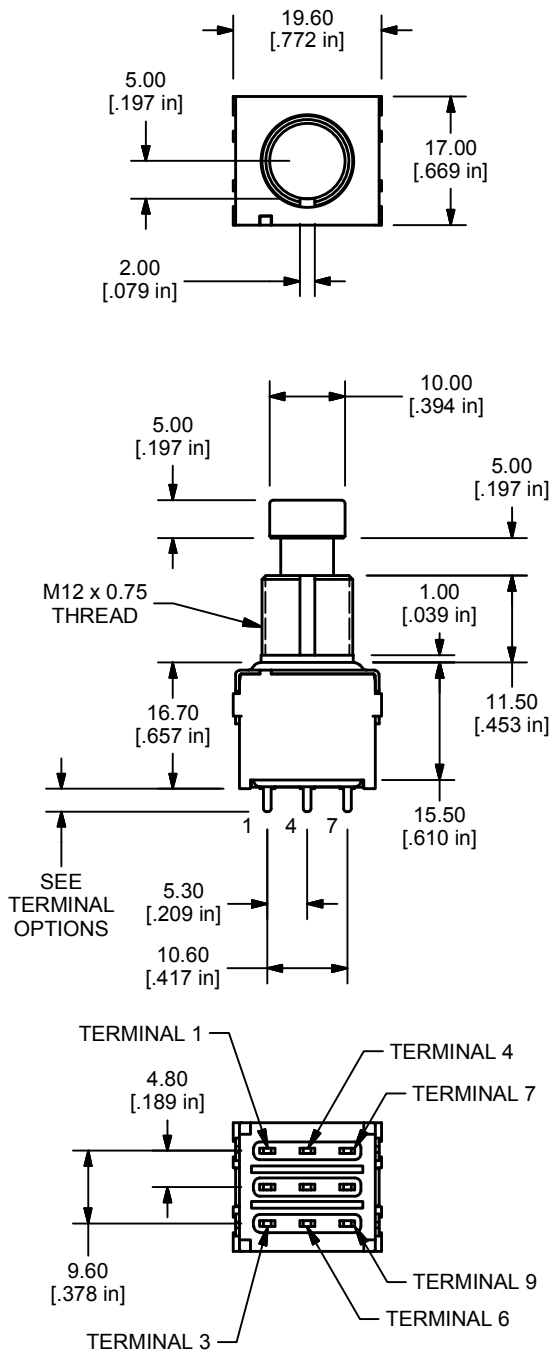
## DOUBLE POLE

- ANTI-VANDAL SWITCHES
- DETECTOR SWITCHES
- DIP SWITCHES
- KEYLOCK SWITCHES
- NAVIGATION SWITCHES
- PUSHBUTTON SWITCHES**
- ROCKER SWITCHES
- ROTARY SWITCHES
- SLIDE SWITCHES
- SNAP ACTION SWITCHES
- TACTILE SWITCHES
- TOGGLE SWITCHES
- CAP OPTIONS



# FS5700 SERIES PUSHBUTTON SWITCH

TRIPLE POLE

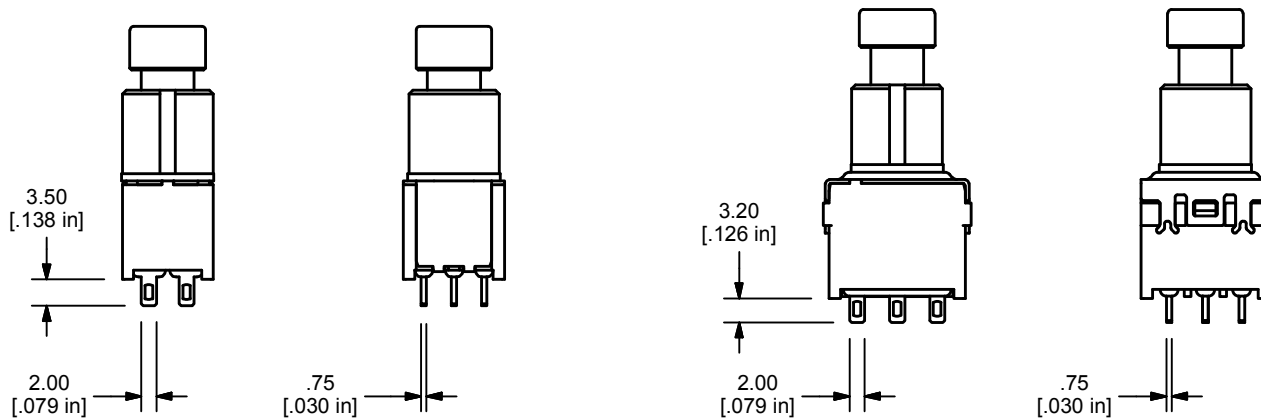


ANTI-VANDAL SWITCHES  
 DETECTOR SWITCHES  
 DIP SWITCHES  
 KEYLOCK SWITCHES  
 NAVIGATION SWITCHES  
**PUSHBUTTON SWITCHES**  
 ROTARY SWITCHES  
 ROTARY SWITCHES  
 SLIDE SWITCHES  
 SNAP ACTION SWITCHES  
 TACTILE SWITCHES  
 TOGGLE SWITCHES  
 CAP OPTIONS

# FS5700 SERIES PUSHBUTTON SWITCH

## TERMINATION OPTIONS

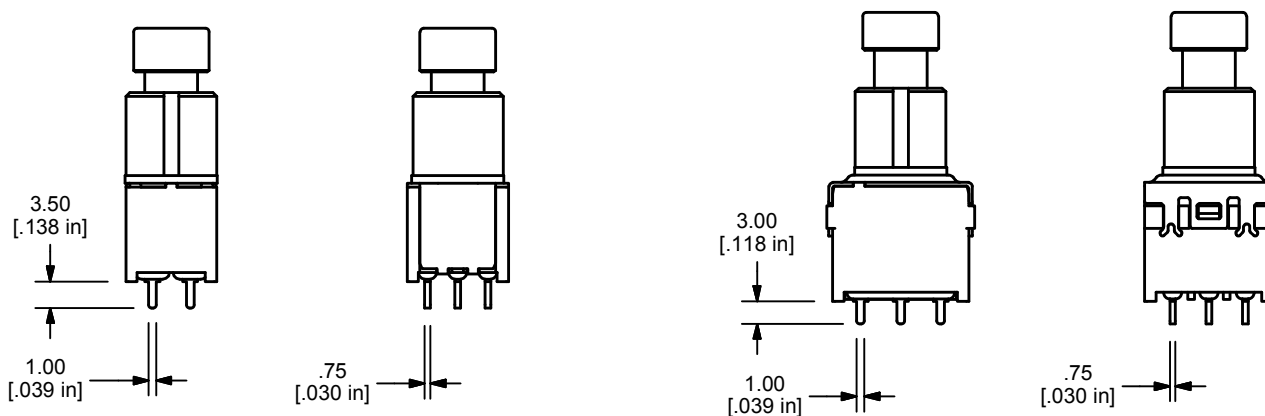
### M1 TERMINATION



M1 TERMINAL FOR 1P OR 2P SWITCH SHOWN

M1 TERMINAL FOR 3P SWITCH

### M2 TERMINATION



M2 TERMINAL FOR 1P OR 2P SWITCH SHOWN

M2 TERMINAL FOR 3P SWITCH



# Mouser Electronics

Authorized Distributor

Click to View Pricing, Inventory, Delivery & Lifecycle Information:

## E-Switch:

[FS57003PLT2B2M1QE](#) [FS5700SPMT2B2M1QE](#) [FS5700SPMT2B2M1QEH](#) [FS5700SPMT2B2M2QE](#)  
[FS57003PLT2B2M1QEH](#) [FS5700DPLT2B2M2QE](#) [FS5700DPLT2B2M1QEH](#) [FS5700DPLT2B2M1QE](#)  
[FS57003PLT2B2M2QE](#) [FS5700SPLT2B2M1QEH](#) [FS5700SPLT2B2M1QE](#) [FS5700DPMT2B2M2QE](#)  
[FS5700DPMT2B2M1QEH](#) [FS5700SPLT2B2M2QE](#) [FS5700DPMT2B2M1QE](#)