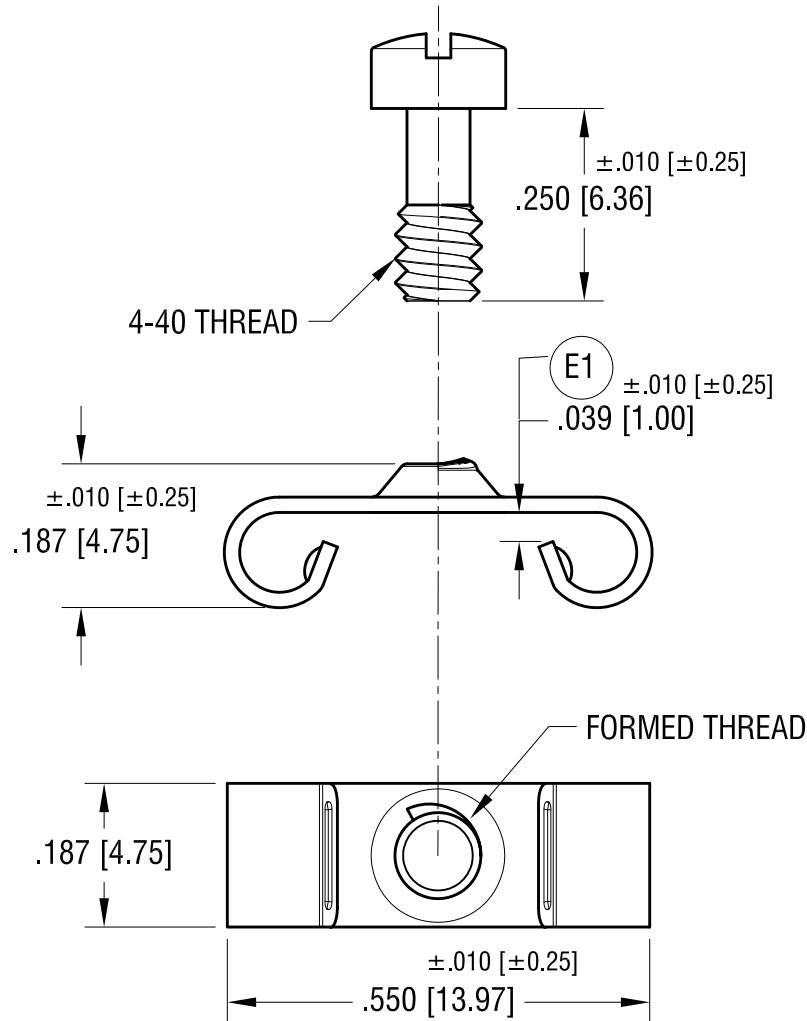


THIS DOCUMENT IS THE PROPERTY OF KEYSTONE ELECTRONICS CORP. AND SHALL NOT BE REPRODUCED, DISTRIBUTED OR USED AS A BASIS FOR MANUFACTURE WITHOUT PRIOR WRITTEN PERMISSION FROM KEYSTONE ELECTRONICS CORP.

ACTUAL SIZE



NOTES:

1. CLIP: .020 [0.50] SPRING STEEL
HEAT TREAT TO SPRING TEMPER
2. SCREW: STEEL, SUPPLIED UNASSEMBLED
3. FINISH- ZINC PLATE, TRIVALENT
YELLOW CROMATE

	ADD (E1)	
5.12.23	CHANGE AS PER ECN 23-079	E
8.19.21	CHANGE AS PER ECN 21-091	D
9.10.08	CHANGE AS PER ECN 08-149	C
8.20.07	CHANGE AS PER ECN 07-047	B
7.18.05	CHANGE AS PER ECN 05-049	A
DATE	DESCRIPTION	REV.

KEYSTONE ELECTRONICS CORP.			
www.keyelco.com • NEW HYDE PARK, NY 11040 • Tel (516) 328-7500			
PART NAME		'BOW TIE' RETAINING CLIP	
MATERIAL		AS NOTED	
FINISH	AS NOTED	DRN BY	NT
		DATE	1.07.00
		APP'D	RH
		SCALE	4X
TOLERANCES	INCH [MM]	CODE	DWG NO.
DECIMAL	± .005 [± 0.13]	C	2060
ANGULAR	± 1°		
UNLESS OTHERWISE SPECIFIED			