

- NOTES
- ① 材質及び仕上げ(めっき仕様) : TABLE 1, TABLE 2 参照
MATERIAL AND FINISHES (PLATING SPECIFICATION) : SEE TABLE 1 AND TABLE 2
 - ② 製品仕様書、コネクタ取扱説明書、適合嵌合相手はSHEET 5をご参照下さい。
PLEASE REFER TO SHEET 5 FOR PRODUCT SPECIFICATION, APPLICATION SPECIFICATION AND MATE WITH.
 - ③ 偶数極に適用
APPLY TO EVEN CIRCUIT
 - ④ 本製品は金めっき品である。
錫めっき品は5055750001 PSD 000をご参照下さい。
THIS IS GOLD PLATING PRODUCT.
PLEASE REFER TO 5055750001 PSD 000 FOR TIN PLATING PRODUCT.
 - ⑤ 端子テール部及びネイルの平坦度 : 0.1mm以下
TAIL AND NAIL COPLANARITY TO BE 0.1mm MAXIMUM.
 - ⑥ 発注番号 : SHEET 5参照
ORDER NUMBER : PLEASE REFER TO SHEET 5

505575****

極数
CIRCUIT SIZE

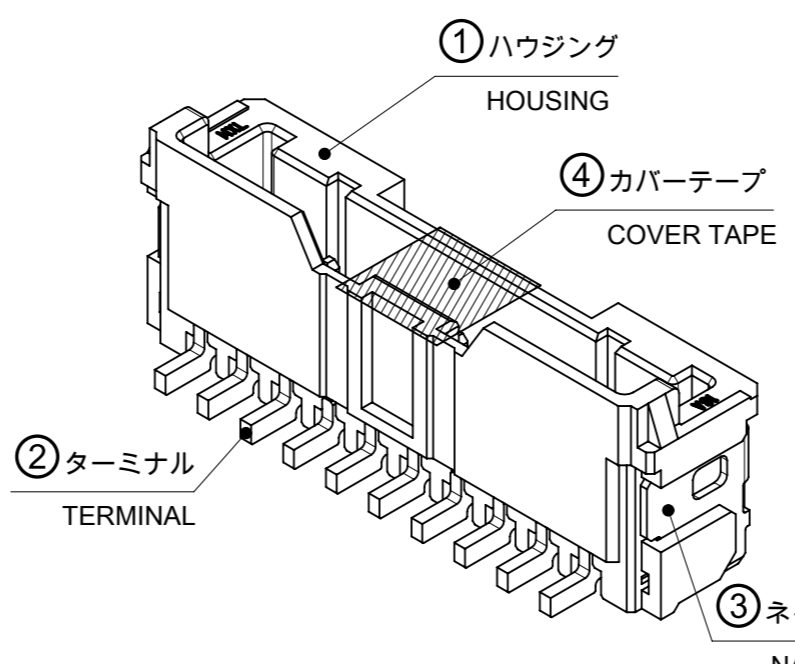
番号 NO.	ハウジングカラー HOUSING COLOR
0	ナチュラル(白) NATURAL (WHITE)
1	黒 BLACK

番号 NO.	接点部金めっき厚 CONTACT GOLD PLATING THICKNESS [MICROMETER MINIMUM]	カバーテープ COVER TAPE
9	0.1	有 WITH
3	0.38	
5	0.76	
6	0.1	無 WITHOUT
2	0.38	
4	0.76	

34.53	30	36	16
32.53	28	34	15
30.53	26	32	14
28.53	24	30	13
26.53	22	28	12
24.53	20	26	11
22.53	18	24	10
20.53	16	22	9
18.53	14	20	8
16.53	12	18	7
14.53	10	16	6
12.53	8	14	5
10.53	6	12	4
8.53	4	10	3
6.53	2	8	2
C	B	A	極数 CIRCUIT SIZE

① TABLE 1

番号 NO.	部品 PART	材質 MATERIAL
①	ハウジング HOUSING	ポリアミド (PA), ガラス充填, UL94V-0, 色 : SHEET 5 参照 POLYAMIDE (PA), GLASS FILLED, UL94V-0, COLOR : SEE SHEET 5
②	ターミナル TERMINAL	黄銅 BRASS
		金めっき (接点部) : SHEET 5 参照 GOLD PLATING (CONTACT) : SEE SHEET 5 ニッケルめっき (下地めっき) : 2.0 MICROMETER MINIMUM NICKEL PLATING (UNDERPLATING)
③	ネイル NAIL	リン青銅 PHOSPHOR BRONZE
		錫めっき : 1.0 MICROMETER MINIMUM MATTE TIN PLATING
		ニッケルめっき (下地めっき) : 1.0 MICROMETER MINIMUM NICKEL PLATING (UNDERPLATING)
④	カバーテープ COVER TAPE	ポリイミド POLYIMIDE



THIS DRAWING CONTAINS INFORMATION THAT IS PROPRIETARY TO MOLEX ELECTRONIC TECHNOLOGIES, LLC AND SHOULD NOT BE USED WITHOUT WRITTEN PERMISSION

DIMENSION UNITS	SCALE	CURRENT REV DESC.
mm	NTS	
GENERAL TOLERANCES (UNLESS SPECIFIED)		
ANGULAR TOL	± 3.0°	
4 PLACES	± 0.2	EC NO: 767521
3 PLACES	± 0.2	DRWN: SOKUMURA01 2023/10/31
2 PLACES	± 0.2	CHK'D: SAKIYAMA 2023/11/02
1 PLACE	± 0.2	APPR: AIDA 2023/11/06
0 PLACES	± 0.2	INITIAL REVISION:
		DRWN: SOKUMURA01 2019/07/17
		APPR: MARAI 2023/08/04
DRAFT WHERE APPLICABLE MUST REMAIN WITHIN DIMENSIONS		THIRD ANGLE PROJECTION
DRAWING		SERIES
A3-SIZE	505575	MATERIAL NUMBER
CUSTOMER		SHEET NUMBER
GENERAL		1 OF 5

molex

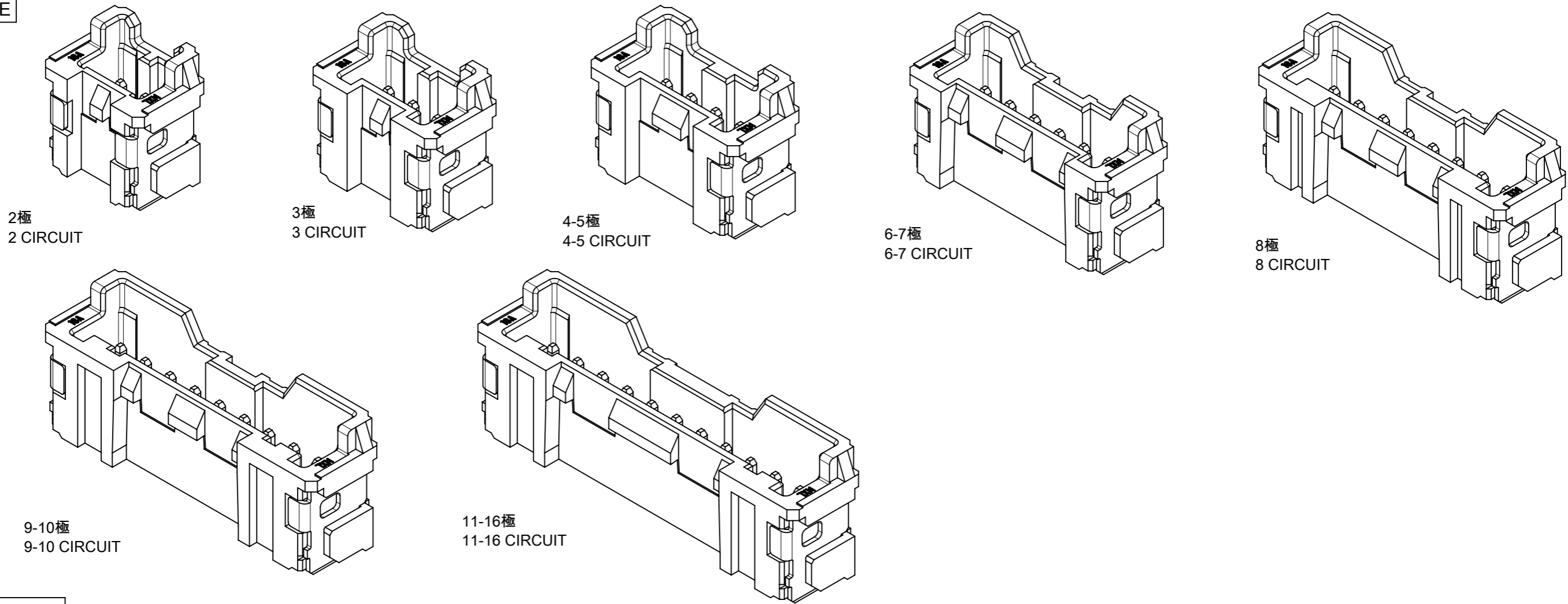
MICRO-LOCK PLUS 2.0 W/B
SINGLE ROW VERTICAL SMT PLUG ASSEMBLY
GOLD PLATING

PRODUCT CUSTOMER DRAWING

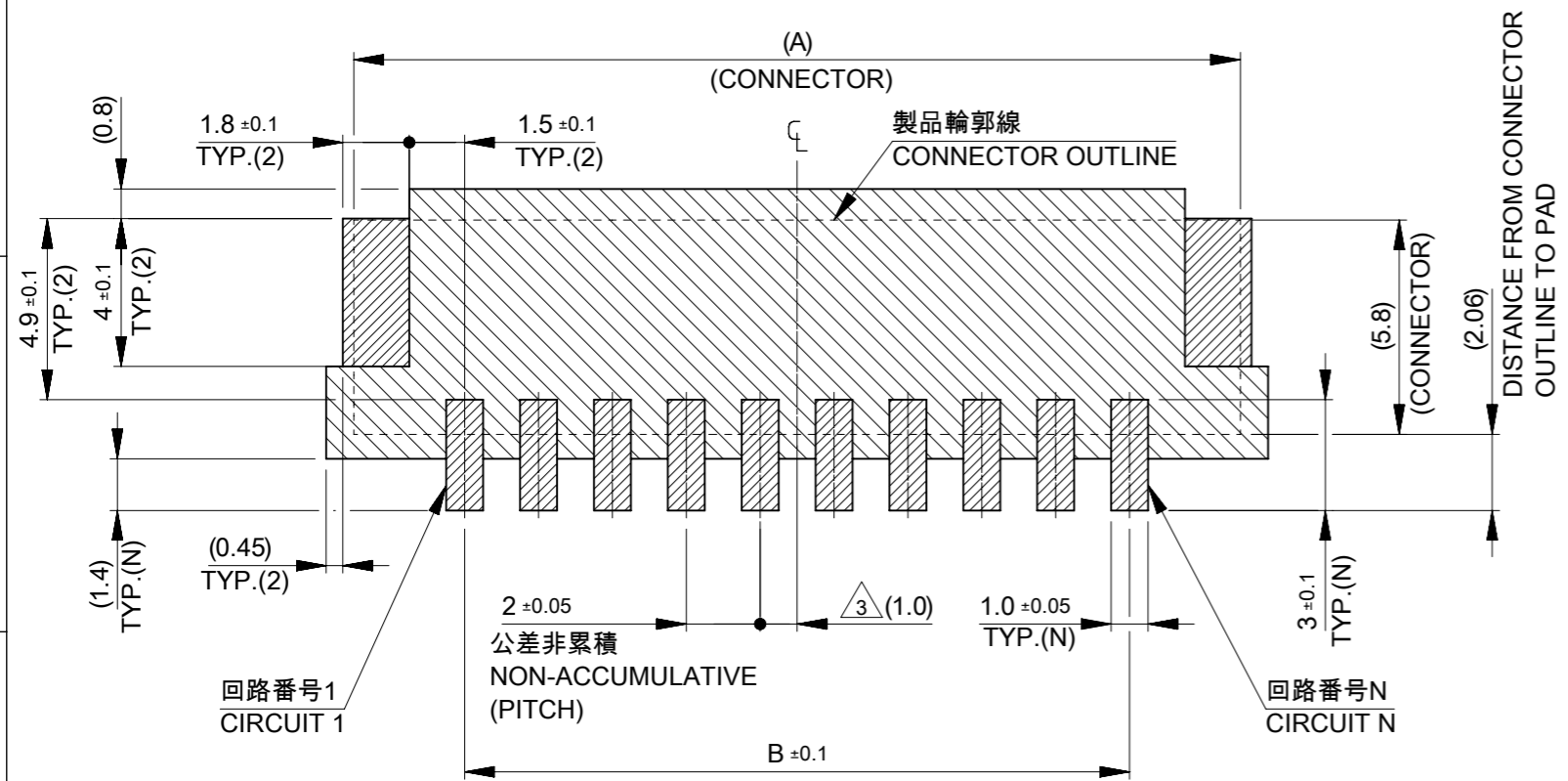
DOCUMENT NUMBER: 5055750002-SD
DOC TYPE: PSD
DOC PART: 000
REVISION: B

RELEASE DATE: 2023/11/06 03:04:33

製品形状
PRODUCT SHAPE



基板パターンレイアウト
PCB PATTERN LAYOUT



推奨基板パターンレイアウト
(参考：基板厚1.6mm, メタルマスク厚0.15mm, マスク開口率100%)
RECOMMENDED PCB PATTERN LAYOUT
(REFERENCE: PCB THICKNESS 1.6mm, STENCIL THICKNESS 0.15mm, APERTURE RATIO 100%)

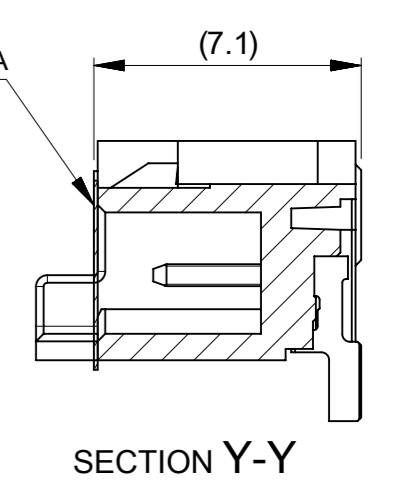
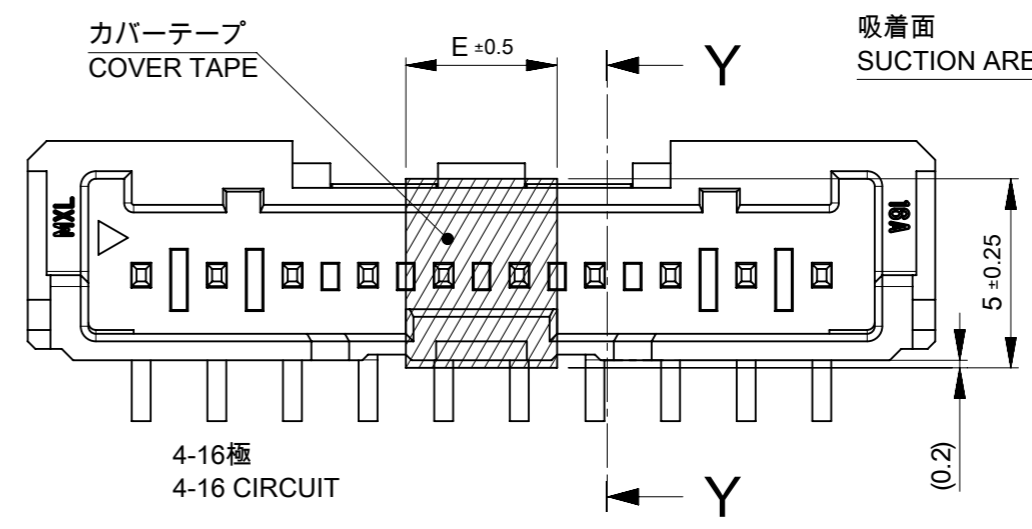
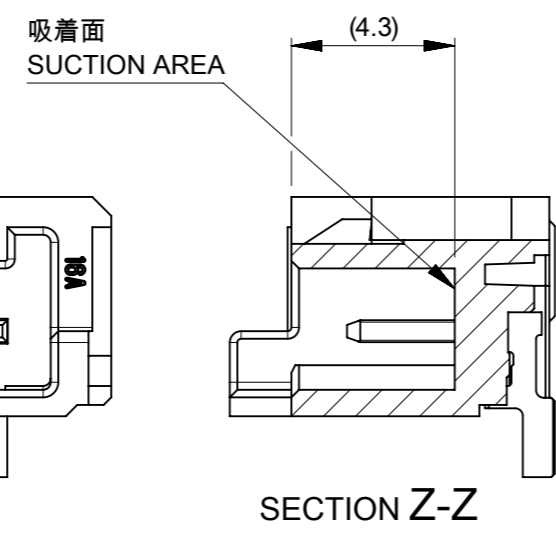
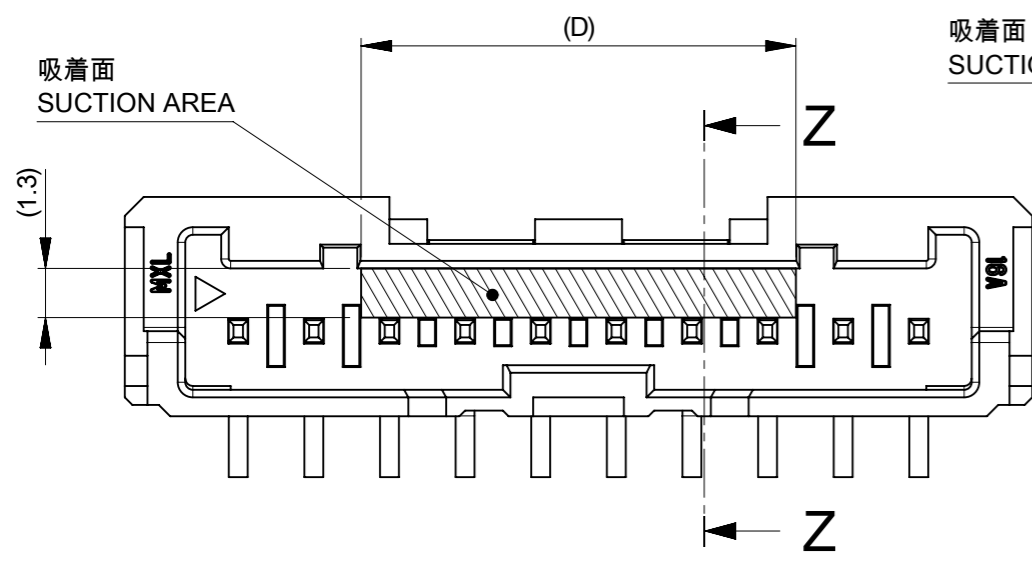
パターン禁止エリア
RESTRICTED AREA
NO PCB COMPONENTS ALLOWED

THIS DRAWING CONTAINS INFORMATION THAT IS PROPRIETARY TO MOLEX ELECTRONIC TECHNOLOGIES, LLC AND SHOULD NOT BE USED WITHOUT WRITTEN PERMISSION									
DIMENSION UNITS		SCALE		CURRENT REV DESC:					
mm		NTS							
GENERAL TOLERANCES (UNLESS SPECIFIED)									
ANGULAR TOL		± 3.0 °		EC NO: 767521					
4 PLACES		± 0.2		DRWN: SOKUMURA01		2023/10/31			
3 PLACES		± 0.2		CHK'D: SAKIYAMA		2023/11/02			
2 PLACES		± 0.2		APPR: AIDA		2023/11/06			
1 PLACE		± 0.2		INITIAL REVISION:					
0 PLACES		± 0.2		DRWN: SOKUMURA01		2019/07/17			
				APPR: MARAI		2023/08/04			
DRAFT WHERE APPLICABLE MUST REMAIN WITHIN DIMENSIONS				THIRD ANGLE PROJECTION		DRAWING		SERIES	
						A3-SIZE		505575	
DOCUMENT STATUS				P1		RELEASE DATE		2023/11/06 03:04:33	
DOCUMENT NUMBER				5055750002-SD		DOC TYPE		PSD	
CUSTOMER				GENERAL		DOC PART		000	
SHEET NUMBER				2 OF 5		REVISION		B	

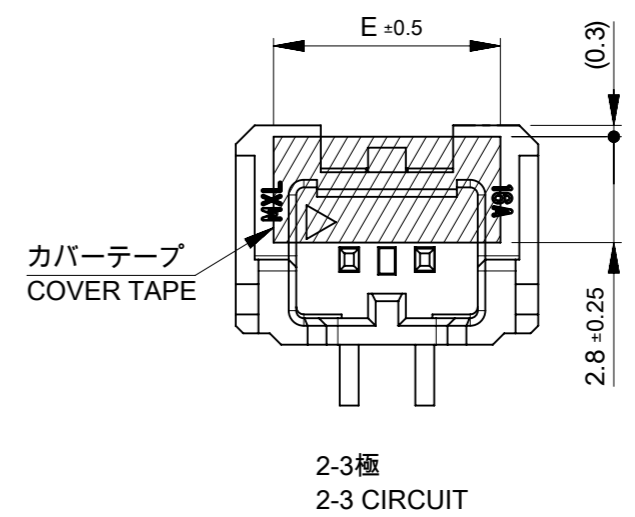
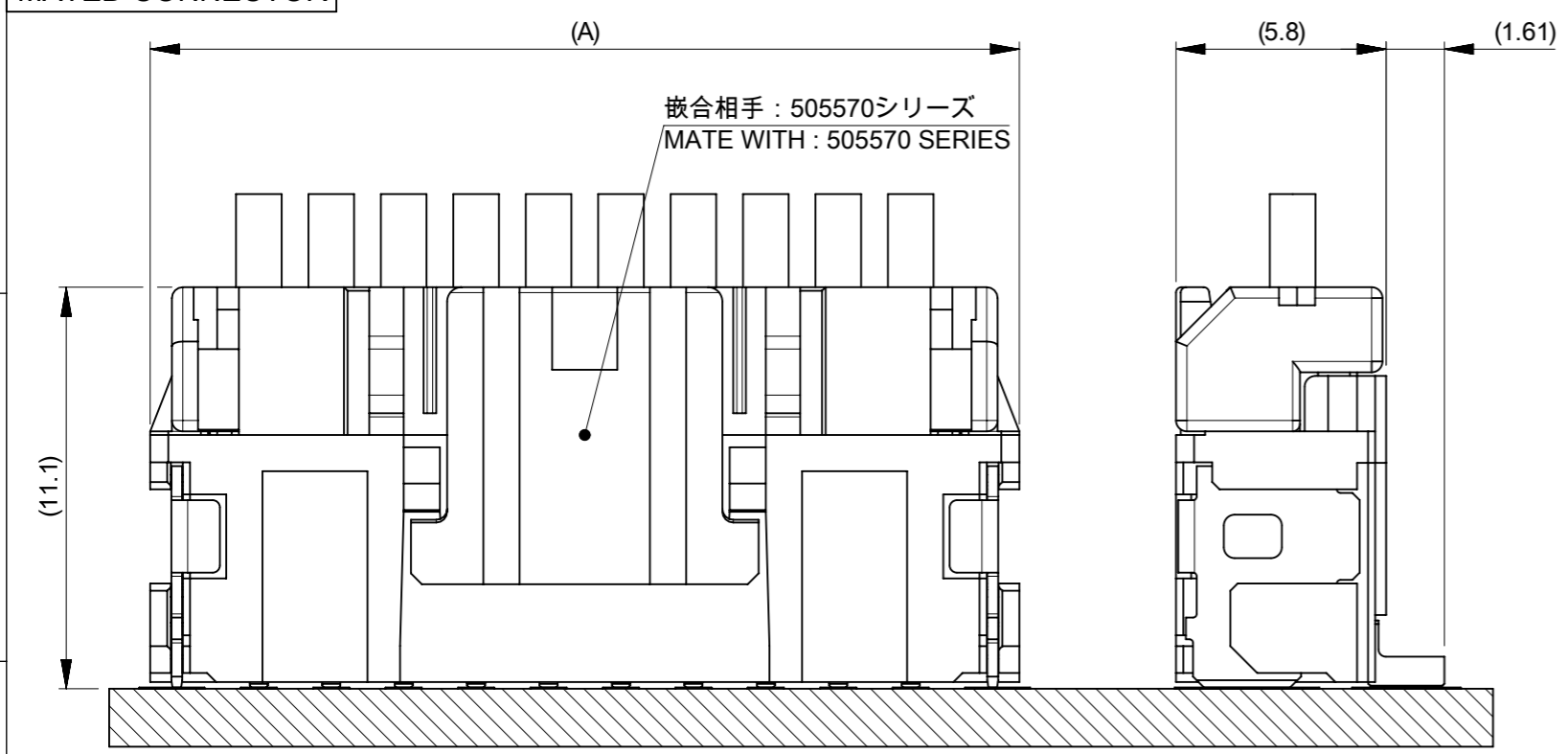
吸着エリア
SUCTION AREA

カバーテープ無
WITHOUT COVER TAPE

カバーテープ有
WITH COVER TAPE



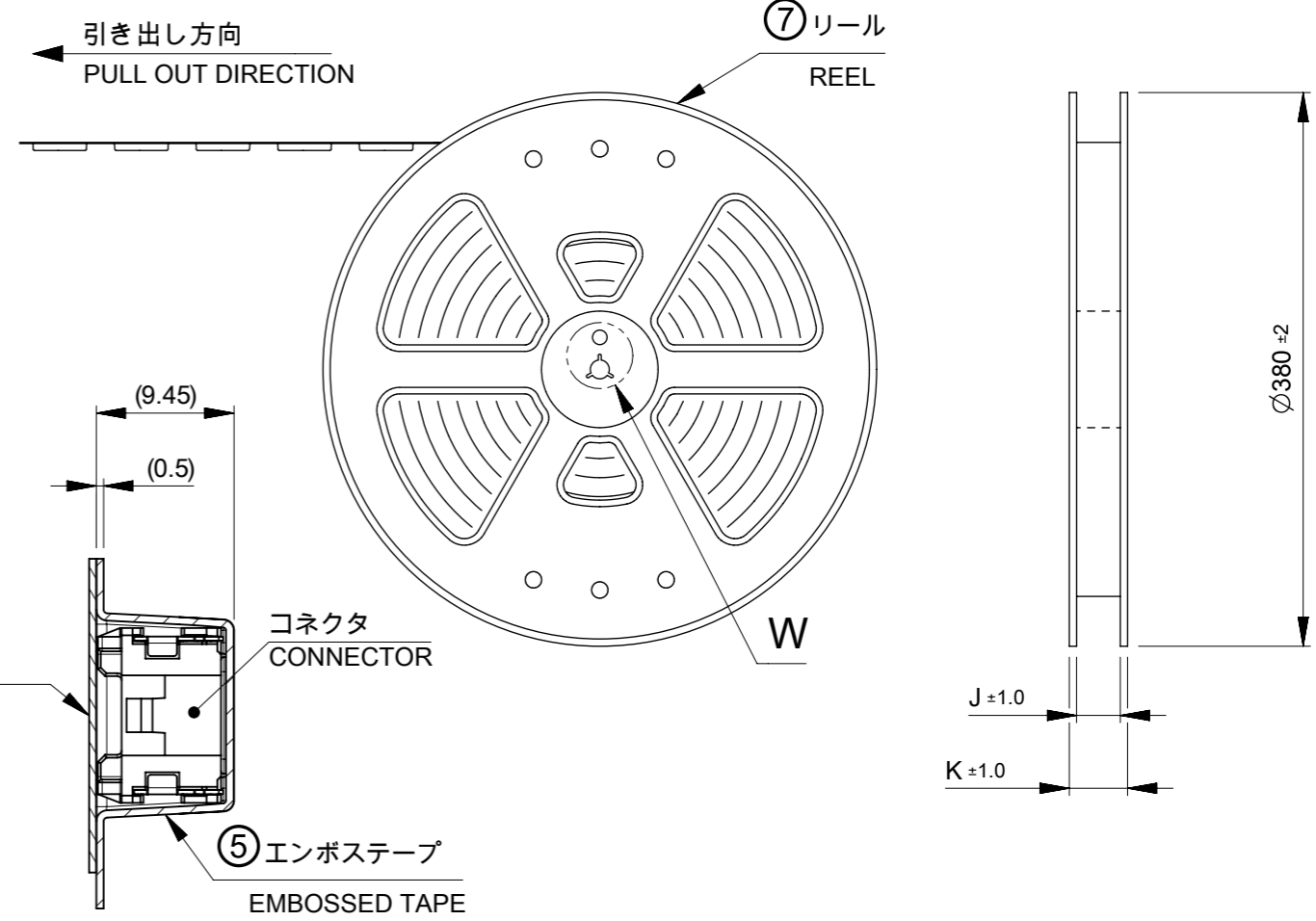
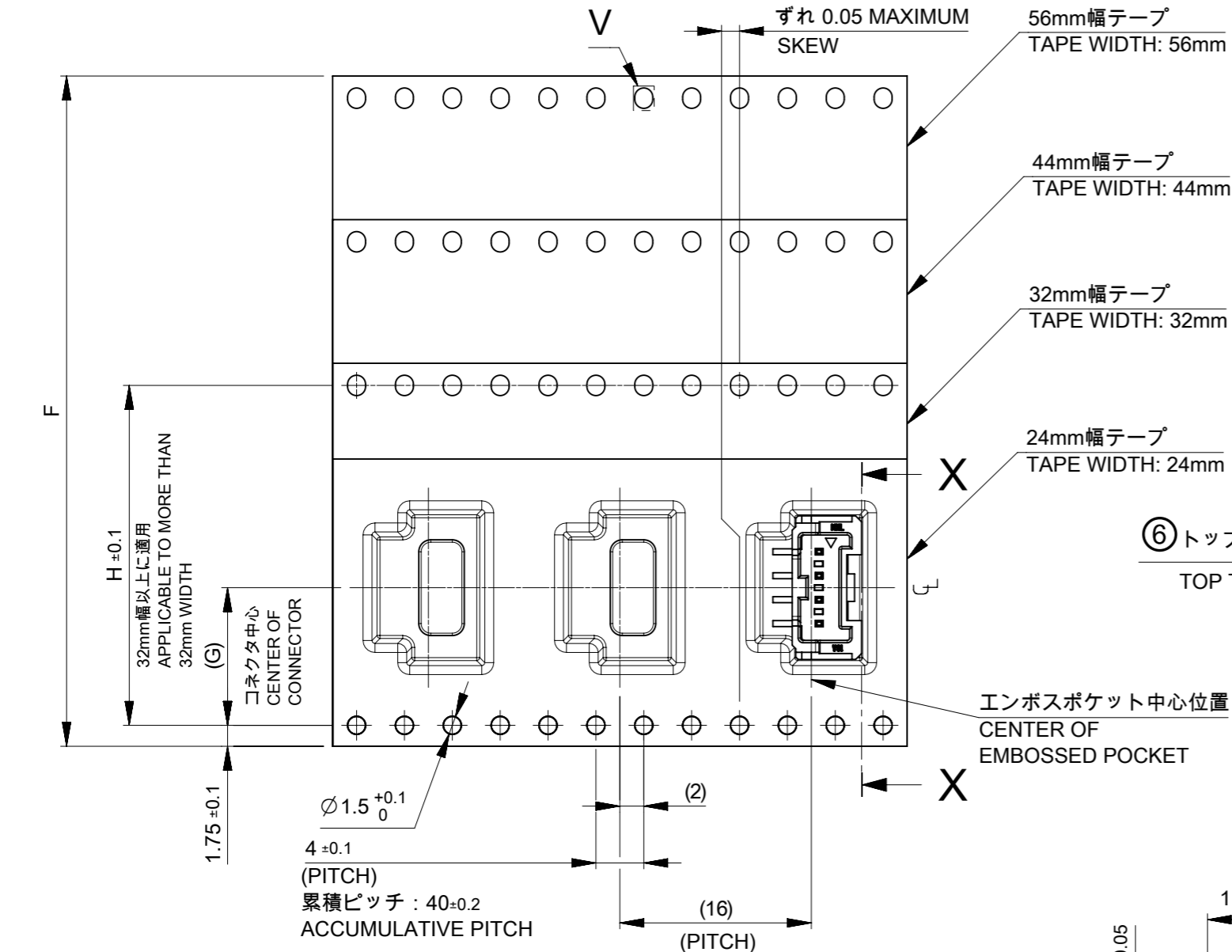
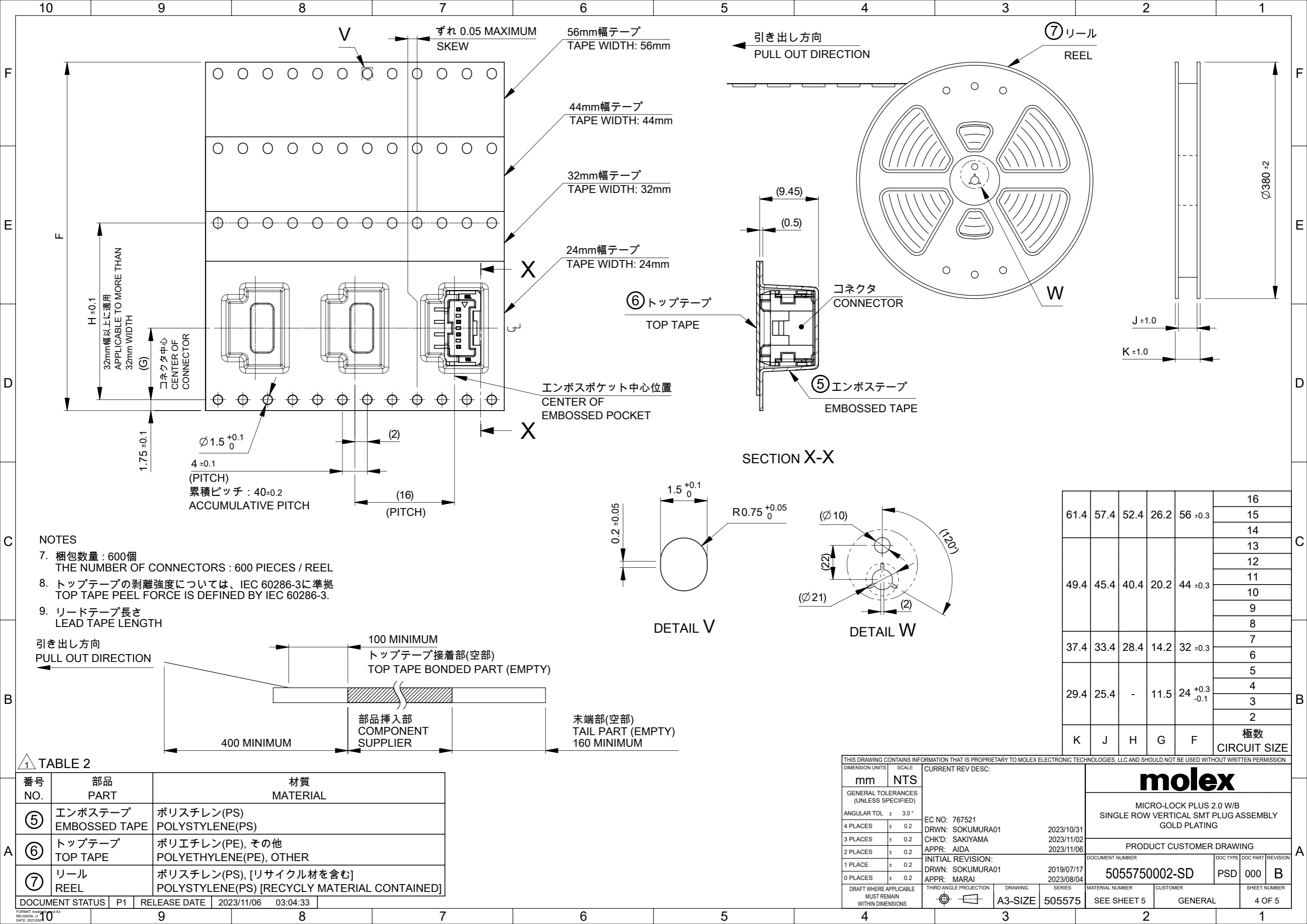
嵌合状態図
MATED CONNECTOR



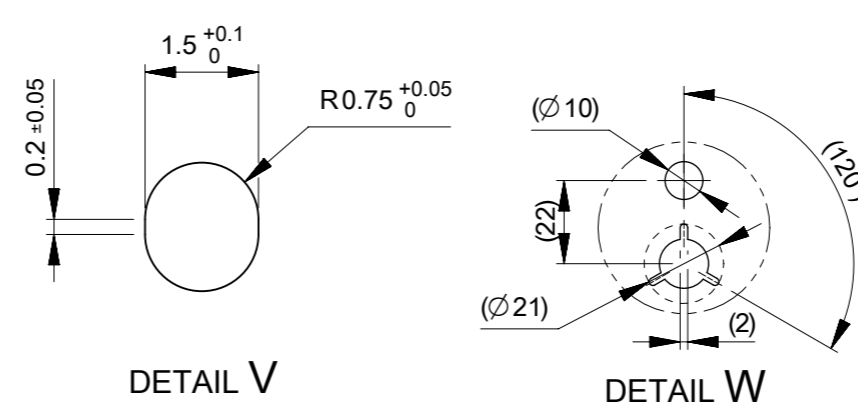
5	11.5	16
		15
4	9.5	14
		13
		12
		11
		10
		9
		8
		7
8	4.5	6
		5
		4
6	2.5	3
		2
E	D	極数 CIRCUIT SIZE

THIS DRAWING CONTAINS INFORMATION THAT IS PROPRIETARY TO MOLEX ELECTRONIC TECHNOLOGIES, LLC AND SHOULD NOT BE USED WITHOUT WRITTEN PERMISSION

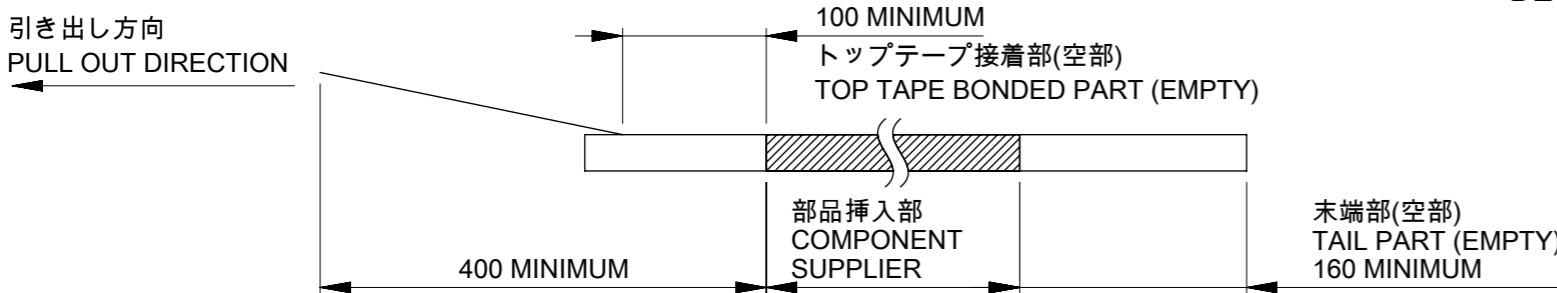
DIMENSION UNITS mm	SCALE NTS	CURRENT REV DESC:				
GENERAL TOLERANCES (UNLESS SPECIFIED)		EC NO: 767521				
ANGULAR TOL	± 3.0 °	DRWN: SOKUMURA01		SINGLE ROW VERTICAL SMT PLUG ASSEMBLY		
4 PLACES	± 0.2	CHK'D: SAKIYAMA		GOLD PLATING		
3 PLACES	± 0.2	APPR: AIDA		PRODUCT CUSTOMER DRAWING		
2 PLACES	± 0.2	INITIAL REVISION:		DOCUMENT NUMBER		
1 PLACE	± 0.2	DRWN: SOKUMURA01		5055750002-SD		
0 PLACES	± 0.2	APPR: MARAI		DOC TYPE DOC PART REVISION		
DRAFT WHERE APPLICABLE MUST REMAIN WITHIN DIMENSIONS	THIRD ANGLE PROJECTION	DRAWING	SERIES	MATERIAL NUMBER	CUSTOMER	SHEET NUMBER
		A3-SIZE	505575	SEE SHEET 5	GENERAL	3 OF 5



SECTION X-X



- NOTES
- 梱包数量 : 600個
THE NUMBER OF CONNECTORS : 600 PIECES / REEL
 - トップテープの剥離強度については、IEC 60286-3に準拠
TOP TAPE PEEL FORCE IS DEFINED BY IEC 60286-3.
 - リードテープ長さ
LEAD TAPE LENGTH



61.4	57.4	52.4	26.2	56 ± 0.3	16
					15
					14
					13
					12
49.4	45.4	40.4	20.2	44 ± 0.3	11
					10
					9
					8
37.4	33.4	28.4	14.2	32 ± 0.3	7
					6
29.4	25.4	-	11.5	24 ^{+0.3} _{-0.1}	5
					4
					3
					2
K	J	H	G	F	極数 CIRCUIT SIZE

TABLE 2

番号 NO.	部品 PART	材質 MATERIAL
⑤	エンボステープ EMBOSSSED TAPE	ポリスチレン(PS) POLYSTYLENE(PS)
⑥	トップテープ TOP TAPE	ポリエチレン(PE), その他 POLYETHYLENE(PE), OTHER
⑦	リール REEL	ポリスチレン(PS), [リサイクル材を含む] POLYSTYLENE(PS) [RECYCLY MATERIAL CONTAINED]

THIS DRAWING CONTAINS INFORMATION THAT IS PROPRIETARY TO MOLEX ELECTRONIC TECHNOLOGIES, LLC AND SHOULD NOT BE USED WITHOUT WRITTEN PERMISSION

DIMENSION UNITS mm	SCALE NTS	CURRENT REV DESC:	
GENERAL TOLERANCES (UNLESS SPECIFIED)		molex	
ANGULAR TOL ± 3.0 °	4 PLACES ± 0.2	MICRO-LOCK PLUS 2.0 W/B SINGLE ROW VERTICAL SMT PLUG ASSEMBLY GOLD PLATING	
3 PLACES ± 0.2	2 PLACES ± 0.2	PRODUCT CUSTOMER DRAWING	
1 PLACE ± 0.2	0 PLACES ± 0.2	DOCUMENT NUMBER 5055750002-SD	
DRAFT WHERE APPLICABLE MUST REMAIN WITHIN DIMENSIONS	THIRD ANGLE PROJECTION	DRAWING A3-SIZE	SERIES 505575
MATERIAL NUMBER SEE SHEET 5		CUSTOMER GENERAL	SHEET NUMBER 4 OF 5

EC NO: 767521
DRWN: SOKUMURA01
CHK'D: SAKIYAMA
APPR: AIDA
2023/10/31
2023/11/02
2023/11/06

INITIAL REVISION:
DRWN: SOKUMURA01
APPR: MARAI
2019/07/17
2023/08/04

DOC TYPE: PSD
DOC PART: 000
REVISION: B

△2 適合製品及び各種仕様書 APPLICABLE PRODUCTS AND VARIOUS SPECIFICATIONS

梱包仕様書 PACKAGING SPECIFICATION	5055759200 PS 200
適合嵌合相手シリーズ番号 MATE WITH SERIES NUMBER	505570
製品仕様書 PRODUCT SPECIFICATION	5055700002-PS PS 000
コネクタ取扱説明書 APPLICATION SPECIFICATION	5055700001 PS A03


△6 製品一覧
ORDER NUMBER LIST

カバーテープ有 WITH COVER TAPE

BLACK	NATURAL(WHITE)	BLACK	NATURAL(WHITE)	BLACK	NATURAL(WHITE)	HOUSING COLOR
5055751651	5055751650	5055751631	5055751630	5055751691	5055751690	16
5055751551	5055751550	5055751531	5055751530	5055751591	5055751590	15
5055751451	5055751450	5055751431	5055751430	5055751491	5055751490	14
5055751351	5055751350	5055751331	5055751330	5055751391	5055751390	13
5055751251	5055751250	5055751231	5055751230	5055751291	5055751290	12
5055751151	5055751150	5055751131	5055751130	5055751191	5055751190	11
5055751051	5055751050	5055751031	5055751030	5055751091	5055751090	10
5055750951	5055750950	5055750931	5055750930	5055750991	5055750990	9
5055750851	5055750850	5055750831	5055750830	5055750891	5055750890	8
5055750751	5055750750	5055750731	5055750730	5055750791	5055750790	7
5055750651	5055750650	5055750631	5055750630	5055750691	5055750690	6
5055750551	5055750550	5055750531	5055750530	5055750591	5055750590	5
5055750451	5055750450	5055750431	5055750430	5055750491	5055750490	4
5055750351	5055750350	5055750331	5055750330	5055750391	5055750390	3
5055750251	5055750250	5055750231	5055750230	5055750291	5055750290	2
発注番号 : ORDER NUMBER						極数 CIRCUIT SIZE
梱包形態 : エンボステープ、リール PACKAGING : EMBOSSED TAPE AND REEL						

カバーテープ無 WITHOUT COVER TAPE

BLACK	NATURAL(WHITE)	BLACK	NATURAL(WHITE)	BLACK	NATURAL(WHITE)	HOUSING COLOR
5055751641	5055751640	5055751621	5055751620	5055751661	5055751660	16
5055751541	5055751540	5055751521	5055751520	5055751561	5055751560	15
5055751441	5055751440	5055751421	5055751420	5055751461	5055751460	14
5055751341	5055751340	5055751321	5055751320	5055751361	5055751360	13
5055751241	5055751240	5055751221	5055751220	5055751261	5055751260	12
5055751141	5055751140	5055751121	5055751120	5055751161	5055751160	11
5055751041	5055751040	5055751021	5055751020	5055751061	5055751060	10
5055750941	5055750940	5055750921	5055750920	5055750961	5055750960	9
5055750841	5055750840	5055750821	5055750820	5055750861	5055750860	8
5055750741	5055750740	5055750721	5055750720	5055750761	5055750760	7
5055750641	5055750640	5055750621	5055750620	5055750661	5055750660	6
5055750541	5055750540	5055750521	5055750520	5055750561	5055750560	5
5055750441	5055750440	5055750421	5055750420	5055750461	5055750460	4
5055750341	5055750340	5055750321	5055750320	5055750361	5055750360	3
5055750241	5055750240	5055750221	5055750220	5055750261	5055750260	2
発注番号 : ORDER NUMBER						極数 CIRCUIT SIZE
梱包形態 : エンボステープ、リール PACKAGING : EMBOSSED TAPE AND REEL						

THIS DRAWING CONTAINS INFORMATION THAT IS PROPRIETARY TO MOLEX ELECTRONIC TECHNOLOGIES, LLC AND SHOULD NOT BE USED WITHOUT WRITTEN PERMISSION														
DIMENSION UNITS		SCALE		CURRENT REV DESC:						MICRO-LOCK PLUS 2.0 W/B SINGLE ROW VERTICAL SMT PLUG ASSEMBLY GOLD PLATING				
mm		NTS												
GENERAL TOLERANCES (UNLESS SPECIFIED)				EC NO: 767521 DRWN: SOKUMURA01 2023/10/31 CHK'D: SAKIYAMA 2023/11/02 APPR: AIDA 2023/11/06 INITIAL REVISION: DRWN: SOKUMURA01 2019/07/17 APPR: MARAI 2023/08/04				DOCUMENT NUMBER		DOC TYPE	DOC PART	REVISION		
ANGULAR TOL ± 3.0 °								5055750002-SD		PSD	000	B		
4 PLACES ± 0.2								505575		SEE CHART		GENERAL		SHEET NUMBER
3 PLACES ± 0.2								A3-SIZE		GENERAL		5 OF 5		
2 PLACES ± 0.2								THIRD ANGLE PROJECTION		DRAWING		SERIES		MATERIAL NUMBER
1 PLACE ± 0.2				DRAWING		SERIES		CUSTOMER						
0 PLACES ± 0.2				DRAWING		SERIES		CUSTOMER						
DRAFT WHERE APPLICABLE MUST REMAIN WITHIN DIMENSIONS				DRAWING		SERIES		CUSTOMER						