



Power contactor, AC-3 80 A, 37 kW / 400 V 1 NO + 1 NC, 20-33 V AC/DC with varistor 3-pole, size S2 screw terminals

product brand name	SIRIUS
product designation	Power contactor
product type designation	3RT2
General technical data	
size of contactor	S2
product extension	
<ul style="list-style-type: none"> function module for communication auxiliary switch 	<p>No</p> <p>Yes</p>
power loss [W] for rated value of the current at AC in hot operating state	17.1 W
<ul style="list-style-type: none"> per pole 	5.7 W
power loss [W] for rated value of the current without load current share typical	2 W
surge voltage resistance	
<ul style="list-style-type: none"> of main circuit rated value of auxiliary circuit rated value 	<p>6 kV</p> <p>6 kV</p>
maximum permissible voltage for safe isolation between coil and main contacts acc. to EN 60947-1	400 V
shock resistance at rectangular impulse	
<ul style="list-style-type: none"> at AC at DC 	<p>7.7g / 5 ms, 4.5g / 10 ms</p> <p>7.7g / 5 ms, 4.5g / 10 ms</p>
shock resistance with sine pulse	
<ul style="list-style-type: none"> at AC at DC 	<p>12g / 5 ms, 7g / 10 ms</p> <p>12g / 5 ms, 7g / 10 ms</p>
mechanical service life (switching cycles)	
<ul style="list-style-type: none"> of contactor typical of the contactor with added electronically optimized auxiliary switch block typical of the contactor with added auxiliary switch block typical 	<p>10 000 000</p> <p>5 000 000</p> <p>10 000 000</p>
reference code acc. to IEC 81346-2	Q
Substance Prohibition (Date)	01.10.2014 00:00:00
Ambient conditions	
installation altitude at height above sea level maximum	2 000 m
<ul style="list-style-type: none"> ambient temperature during operation ambient temperature during storage 	<p>-25 ... +60 °C</p> <p>-55 ... +80 °C</p>
Main circuit	
number of poles for main current circuit	3

number of NO contacts for main contacts	3
● operating voltage at AC-3 rated value maximum	690 V
operational current	
● at AC-1 at 400 V at ambient temperature 40 °C rated value	90 A
● at AC-1	
— up to 690 V at ambient temperature 40 °C rated value	90 A
— up to 690 V at ambient temperature 60 °C rated value	80 A
● at AC-3	
— at 400 V rated value	80 A
— at 500 V rated value	80 A
— at 690 V rated value	58 A
● at AC-4 at 400 V rated value	55 A
● at AC-5a up to 690 V rated value	79.2 A
● at AC-5b up to 400 V rated value	66.4 A
● at AC-6a	
— up to 230 V for current peak value n=20 rated value	70 A
— up to 400 V for current peak value n=20 rated value	70 A
— up to 500 V for current peak value n=20 rated value	70 A
— up to 690 V for current peak value n=20 rated value	58 A
● at AC-6a	
— up to 230 V for current peak value n=30 rated value	46.7 A
— up to 400 V for current peak value n=30 rated value	46.7 A
— up to 500 V for current peak value n=30 rated value	46.7 A
— up to 690 V for current peak value n=30 rated value	46.7 A
minimum cross-section in main circuit at maximum AC-1 rated value	35 mm ²
operational current for approx. 200000 operating cycles at AC-4	
● at 400 V rated value	30 A
● at 690 V rated value	24 A
operational current	
● at 1 current path at DC-1	
— at 24 V rated value	55 A
— at 110 V rated value	4.5 A
— at 220 V rated value	1 A
— at 440 V rated value	0.4 A
— at 600 V rated value	0.25 A
● with 2 current paths in series at DC-1	
— at 24 V rated value	55 A
— at 110 V rated value	45 A
— at 220 V rated value	5 A
— at 440 V rated value	1 A
— at 600 V rated value	0.8 A
● with 3 current paths in series at DC-1	
— at 24 V rated value	55 A
— at 110 V rated value	55 A
— at 220 V rated value	45 A
— at 440 V rated value	2.9 A
— at 600 V rated value	1.4 A
operational current	

<ul style="list-style-type: none"> ● at 1 current path at DC-3 at DC-5 <ul style="list-style-type: none"> — at 24 V rated value — at 110 V rated value — at 220 V rated value — at 440 V rated value — at 600 V rated value ● with 2 current paths in series at DC-3 at DC-5 <ul style="list-style-type: none"> — at 24 V rated value — at 110 V rated value — at 220 V rated value — at 440 V rated value — at 600 V rated value ● with 3 current paths in series at DC-3 at DC-5 <ul style="list-style-type: none"> — at 24 V rated value — at 110 V rated value — at 220 V rated value — at 440 V rated value — at 600 V rated value 	35 A 2.5 A 1 A 0.1 A 0.06 A 55 A 25 A 5 A 0.27 A 0.16 A 55 A 55 A 25 A 0.6 A 0.35 A
operating power	
<ul style="list-style-type: none"> ● at AC-2 at 400 V rated value ● at AC-3 <ul style="list-style-type: none"> — at 230 V rated value — at 400 V rated value — at 500 V rated value — at 690 V rated value 	37 kW 22 kW 37 kW 37 kW 45 kW
operating power for approx. 200000 operating cycles at AC-4	
<ul style="list-style-type: none"> ● at 400 V rated value ● at 690 V rated value 	15.8 kW 21.8 kW
operating apparent power at AC-6a	
<ul style="list-style-type: none"> ● up to 230 V for current peak value n=20 rated value ● up to 400 V for current peak value n=20 rated value ● up to 500 V for current peak value n=20 rated value ● up to 690 V for current peak value n=20 rated value 	27.8 kV·A 48.4 kV·A 60.6 kV·A 69.3 kV·A
operating apparent power at AC-6a	
<ul style="list-style-type: none"> ● up to 230 V for current peak value n=30 rated value ● up to 400 V for current peak value n=30 rated value ● up to 500 V for current peak value n=30 rated value ● up to 690 V for current peak value n=30 rated value 	18.6 kV·A 32.3 kV·A 40.4 kV·A 55.8 kV·A
short-time withstand current in cold operating state up to 40 °C	
<ul style="list-style-type: none"> ● limited to 1 s switching at zero current maximum ● limited to 5 s switching at zero current maximum ● limited to 10 s switching at zero current maximum ● limited to 30 s switching at zero current maximum ● limited to 60 s switching at zero current maximum 	1 298 A; Use minimum cross-section acc. to AC-1 rated value 898 A; Use minimum cross-section acc. to AC-1 rated value 640 A; Use minimum cross-section acc. to AC-1 rated value 414 A; Use minimum cross-section acc. to AC-1 rated value 333 A; Use minimum cross-section acc. to AC-1 rated value
no-load switching frequency	
<ul style="list-style-type: none"> ● at AC ● at DC 	1 500 1/h 1 500 1/h
operating frequency	
<ul style="list-style-type: none"> ● at AC-1 maximum ● at AC-2 maximum ● at AC-3 maximum ● at AC-4 maximum 	700 1/h 350 1/h 500 1/h 150 1/h
Control circuit/ Control	
type of voltage of the control supply voltage	AC/DC
control supply voltage at AC	
<ul style="list-style-type: none"> ● at 50 Hz rated value ● at 60 Hz rated value 	20 ... 33 V 20 ... 33 V

control supply voltage at DC ● rated value	20 ... 33 V
operating range factor control supply voltage rated value of magnet coil at DC ● initial value ● full-scale value	0.8 1.1
operating range factor control supply voltage rated value of magnet coil at AC ● at 50 Hz ● at 60 Hz	0.8 ... 1.1 0.8 ... 1.1
design of the surge suppressor	with varistor
inrush current peak	3 A
duration of inrush current peak	50 µs
locked-rotor current mean value	1 A
locked-rotor current peak	2.6 A
duration of locked-rotor current	230 ms
holding current mean value	40 mA
apparent pick-up power of magnet coil at AC ● at 50 Hz ● at 60 Hz	40 V·A 40 V·A
apparent holding power of magnet coil at AC ● at 50 Hz ● at 60 Hz	2 V·A 2 V·A
closing power of magnet coil at DC	23 W
holding power of magnet coil at DC	1 W
closing delay ● at AC ● at DC	45 ... 70 ms 45 ... 60 ms
opening delay ● at AC ● at DC	35 ... 55 ms 35 ... 55 ms
arcing time	10 ... 20 ms
control version of the switch operating mechanism	Standard A1 - A2
Auxiliary circuit	
number of NC contacts for auxiliary contacts instantaneous contact	1
number of NO contacts for auxiliary contacts instantaneous contact	1
operational current at AC-12 maximum	10 A
operational current at AC-15 ● at 230 V rated value ● at 400 V rated value ● at 500 V rated value ● at 690 V rated value	10 A 3 A 2 A 1 A
operational current at DC-12 ● at 24 V rated value ● at 48 V rated value ● at 60 V rated value ● at 110 V rated value ● at 125 V rated value ● at 220 V rated value ● at 600 V rated value	10 A 6 A 6 A 3 A 2 A 1 A 0.15 A
operational current at DC-13 ● at 24 V rated value ● at 48 V rated value ● at 60 V rated value ● at 110 V rated value ● at 125 V rated value ● at 220 V rated value	10 A 2 A 2 A 1 A 0.9 A 0.3 A

<ul style="list-style-type: none"> at 600 V rated value 	0.1 A
contact reliability of auxiliary contacts	1 faulty switching per 100 million (17 V, 1 mA)
UL/CSA ratings	
full-load current (FLA) for 3-phase AC motor	
<ul style="list-style-type: none"> at 480 V rated value 	65 A
<ul style="list-style-type: none"> at 600 V rated value 	62 A
yielded mechanical performance [hp]	
<ul style="list-style-type: none"> for single-phase AC motor <ul style="list-style-type: none"> at 110/120 V rated value at 230 V rated value for 3-phase AC motor <ul style="list-style-type: none"> at 200/208 V rated value at 220/230 V rated value at 460/480 V rated value at 575/600 V rated value 	5 hp 15 hp 20 hp 25 hp 50 hp 60 hp
contact rating of auxiliary contacts according to UL	A600 / P600
Short-circuit protection	
design of the fuse link	
<ul style="list-style-type: none"> for short-circuit protection of the main circuit <ul style="list-style-type: none"> with type of coordination 1 required with type of assignment 2 required for short-circuit protection of the auxiliary switch required 	gG: 250 A (690 V, 100 kA), aM: 160 A (690 V, 100 kA), BS88: 200 A (415 V, 80 kA) gG: 160A (690V,100kA), aM: 80A (690V,100kA), BS88: 125A (415V,80kA) gG: 10 A (500 V, 1 kA)
Installation/ mounting/ dimensions	
mounting position	+/-180° rotation possible on vertical mounting surface; can be tilted forward and backward by +/- 22.5° on vertical mounting surface
fastening method	screw and snap-on mounting onto 35 mm standard mounting rail according to DIN EN 60715
<ul style="list-style-type: none"> side-by-side mounting 	Yes
height	114 mm
width	55 mm
depth	130 mm
required spacing	
<ul style="list-style-type: none"> with side-by-side mounting <ul style="list-style-type: none"> forwards upwards downwards at the side for grounded parts <ul style="list-style-type: none"> forwards upwards at the side downwards for live parts <ul style="list-style-type: none"> forwards upwards downwards at the side 	10 mm 10 mm 10 mm 0 mm 10 mm 10 mm 6 mm 10 mm 10 mm 10 mm 10 mm 10 mm 10 mm 6 mm
Connections/ Terminals	
type of electrical connection	
<ul style="list-style-type: none"> for main current circuit for auxiliary and control circuit at contactor for auxiliary contacts of magnet coil 	screw-type terminals screw-type terminals Screw-type terminals Screw-type terminals
type of connectable conductor cross-sections	
<ul style="list-style-type: none"> for main contacts <ul style="list-style-type: none"> solid or stranded 	2x (1 ... 35 mm ²), 1x (1 ... 50 mm ²)

<ul style="list-style-type: none"> — finely stranded with core end processing • at AWG cables for main contacts 	2x (1 ... 25 mm ²), 1x (1 ... 35 mm ²) 2x (18 ... 2), 1x (18 ... 1)
connectable conductor cross-section for main contacts <ul style="list-style-type: none"> • finely stranded with core end processing 	1 ... 35 mm ²
connectable conductor cross-section for auxiliary contacts <ul style="list-style-type: none"> • solid or stranded • finely stranded with core end processing 	0.5 ... 2.5 mm ² 0.5 ... 2.5 mm ²
type of connectable conductor cross-sections <ul style="list-style-type: none"> • for auxiliary contacts <ul style="list-style-type: none"> — solid or stranded — finely stranded with core end processing • at AWG cables for auxiliary contacts 	2x (0,5 ... 1,5 mm ²), 2x (0,75 ... 2,5 mm ²) 2x (0.5 ... 1.5 mm ²), 2x (0.75 ... 2.5 mm ²) 2x (20 ... 16), 2x (18 ... 14)
<ul style="list-style-type: none"> • AWG number as coded connectable conductor cross section for main contacts • AWG number as coded connectable conductor cross section for auxiliary contacts 	18 ... 1 20 ... 14

Safety related data	
B10 value with high demand rate acc. to SN 31920	1 000 000
proportion of dangerous failures <ul style="list-style-type: none"> • with low demand rate acc. to SN 31920 • with high demand rate acc. to SN 31920 	40 % 73 %
failure rate [FIT] with low demand rate acc. to SN 31920	100 FIT
product function <ul style="list-style-type: none"> • mirror contact acc. to IEC 60947-4-1 • positively driven operation acc. to IEC 60947-5-1 	Yes No
T1 value for proof test interval or service life acc. to IEC 61508	20 y
protection class IP on the front acc. to IEC 60529	IP20
touch protection on the front acc. to IEC 60529	finger-safe, for vertical contact from the front
suitability for use safety-related switching OFF	Yes

Certificates/ approvals

General Product Approval



[Miscellaneous](#)

[KC](#)



EMC	Declaration of Conformity	Test Certificates		Marine / Shipping
<p>RCM</p>	Miscellaneous	<p>EG-Konf.</p>	Type Test Certificates/Test Report	Special Test Certificate
				<p>ABS</p>

Marine / Shipping



other

Further information

Information- and Downloadcenter (Catalogs, Brochures,...)

<https://www.siemens.com/ic10>

Industry Mall (Online ordering system)

<https://mall.industry.siemens.com/mall/en/en/Catalog/product?mlfb=3RT2038-1NB30>

Cax online generator

<http://support.automation.siemens.com/WW/CAXorder/default.aspx?lang=en&mlfb=3RT2038-1NB30>

Service&Support (Manuals, Certificates, Characteristics, FAQs,...)

<https://support.industry.siemens.com/cs/ww/en/ps/3RT2038-1NB30>

Image database (product images, 2D dimension drawings, 3D models, device circuit diagrams, EPLAN macros, ...)

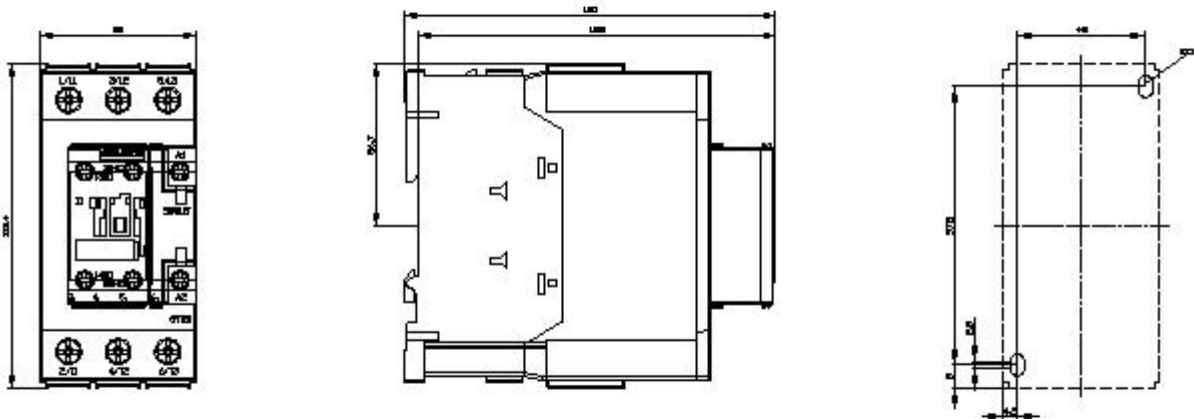
http://www.automation.siemens.com/bilddb/cax_de.aspx?mlfb=3RT2038-1NB30&lang=en

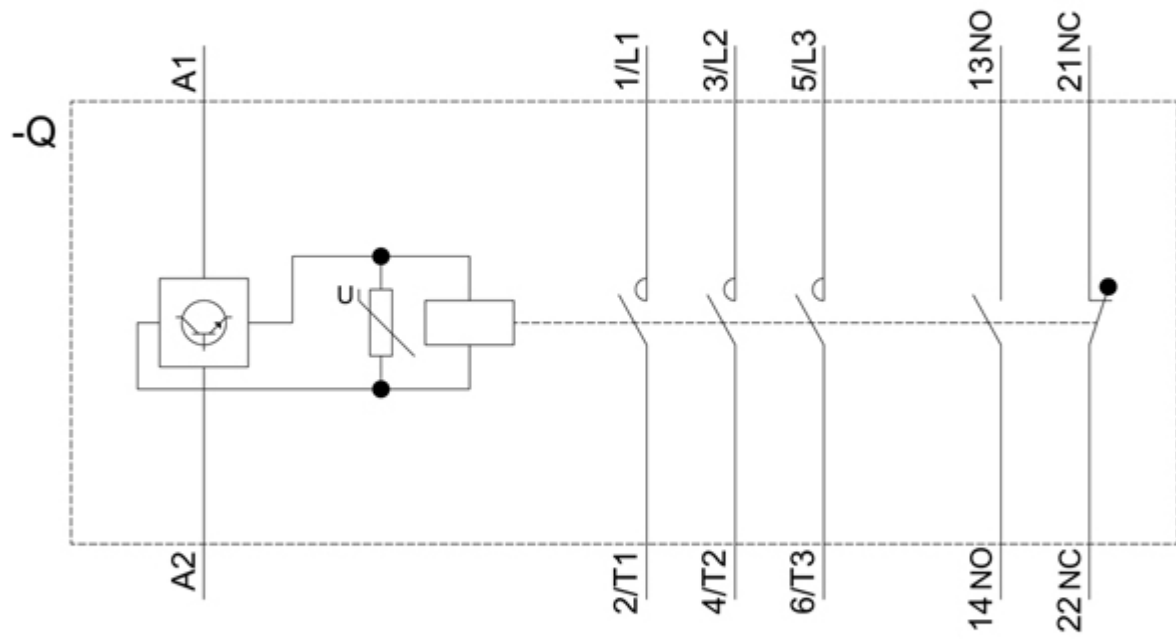
Characteristic: Tripping characteristics, I^2t , Let-through current

<https://support.industry.siemens.com/cs/ww/en/ps/3RT2038-1NB30/char>

Further characteristics (e.g. electrical endurance, switching frequency)

<http://www.automation.siemens.com/bilddb/index.aspx?view=Search&mlfb=3RT2038-1NB30&objectype=14&gridview=view1>





last modified:

12/21/2020 