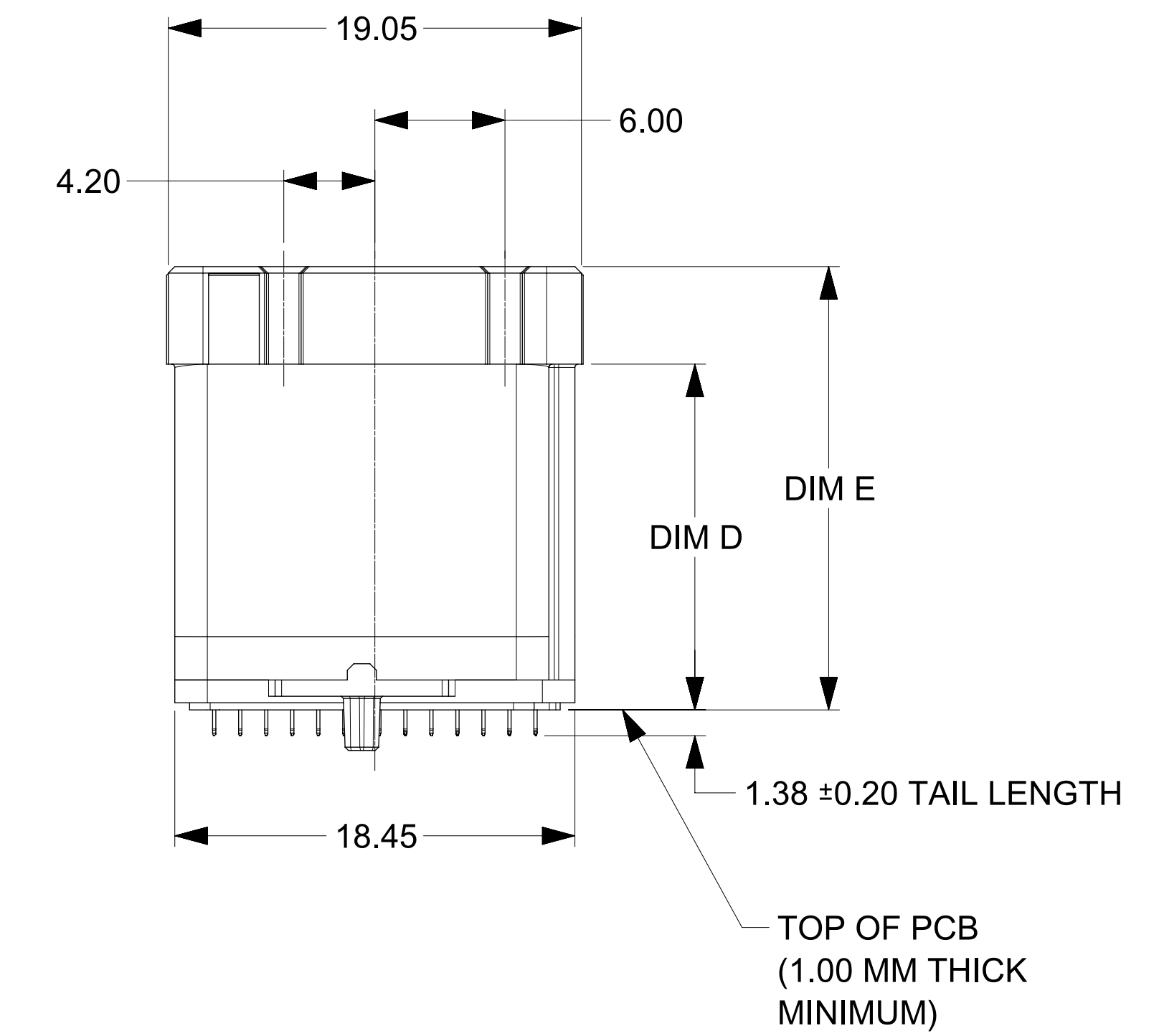
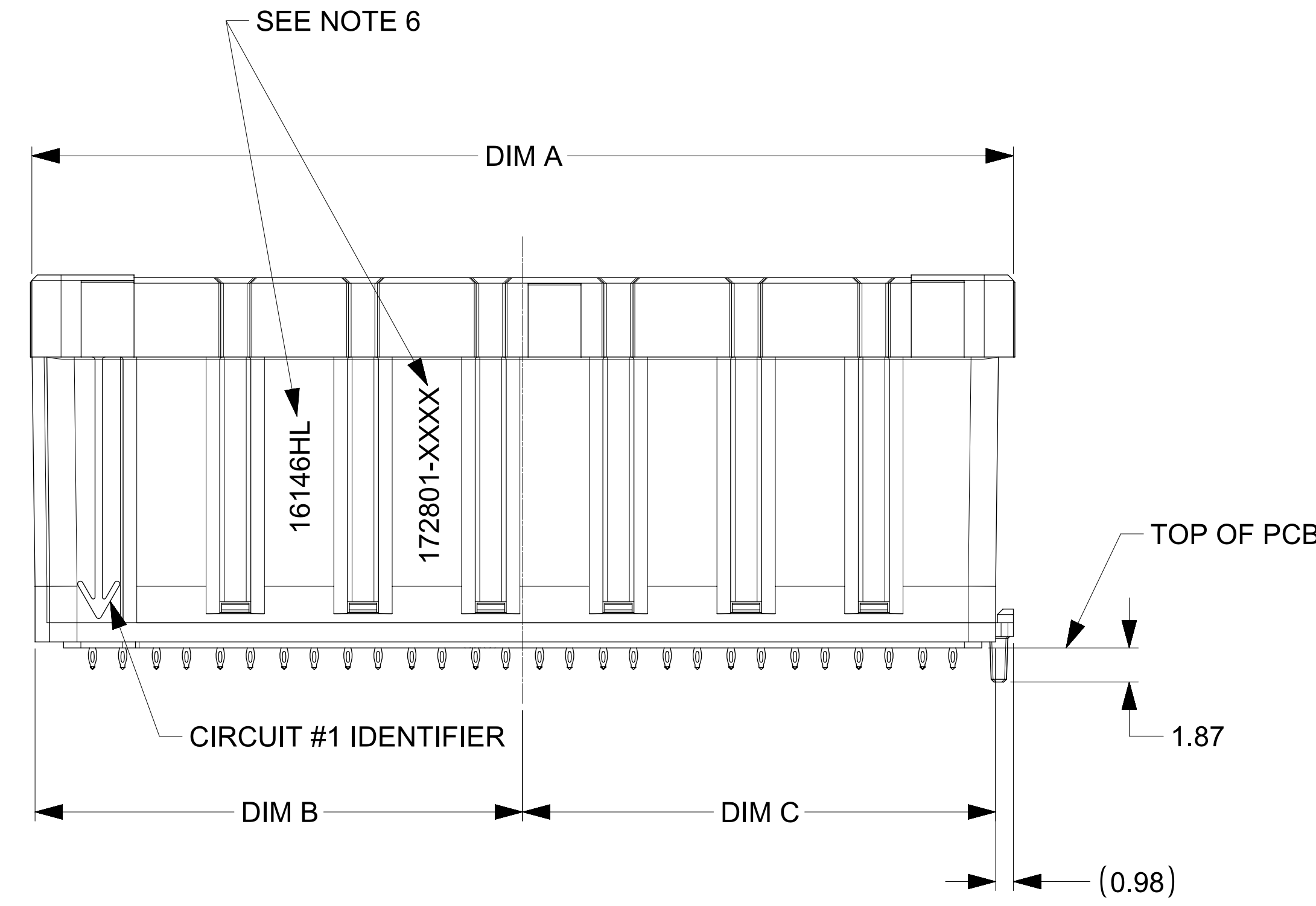
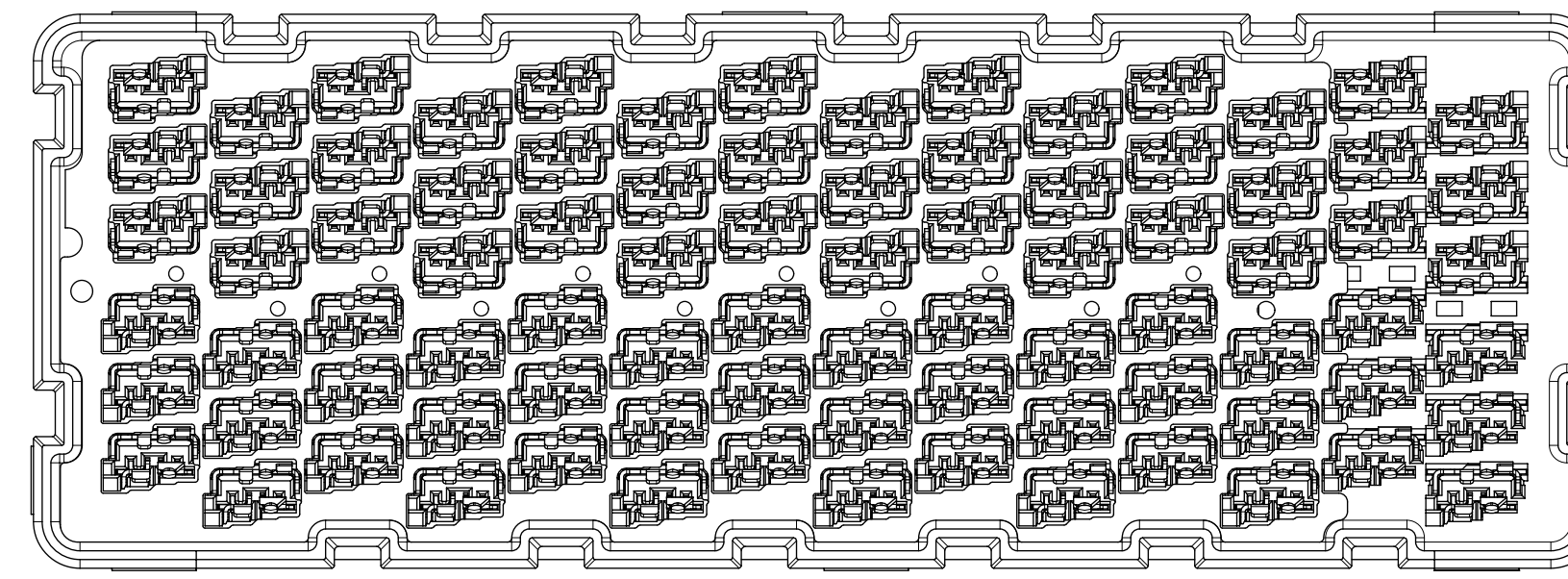


172801-0009 PLUG ASSEMBLY SHOWN

NOTES:

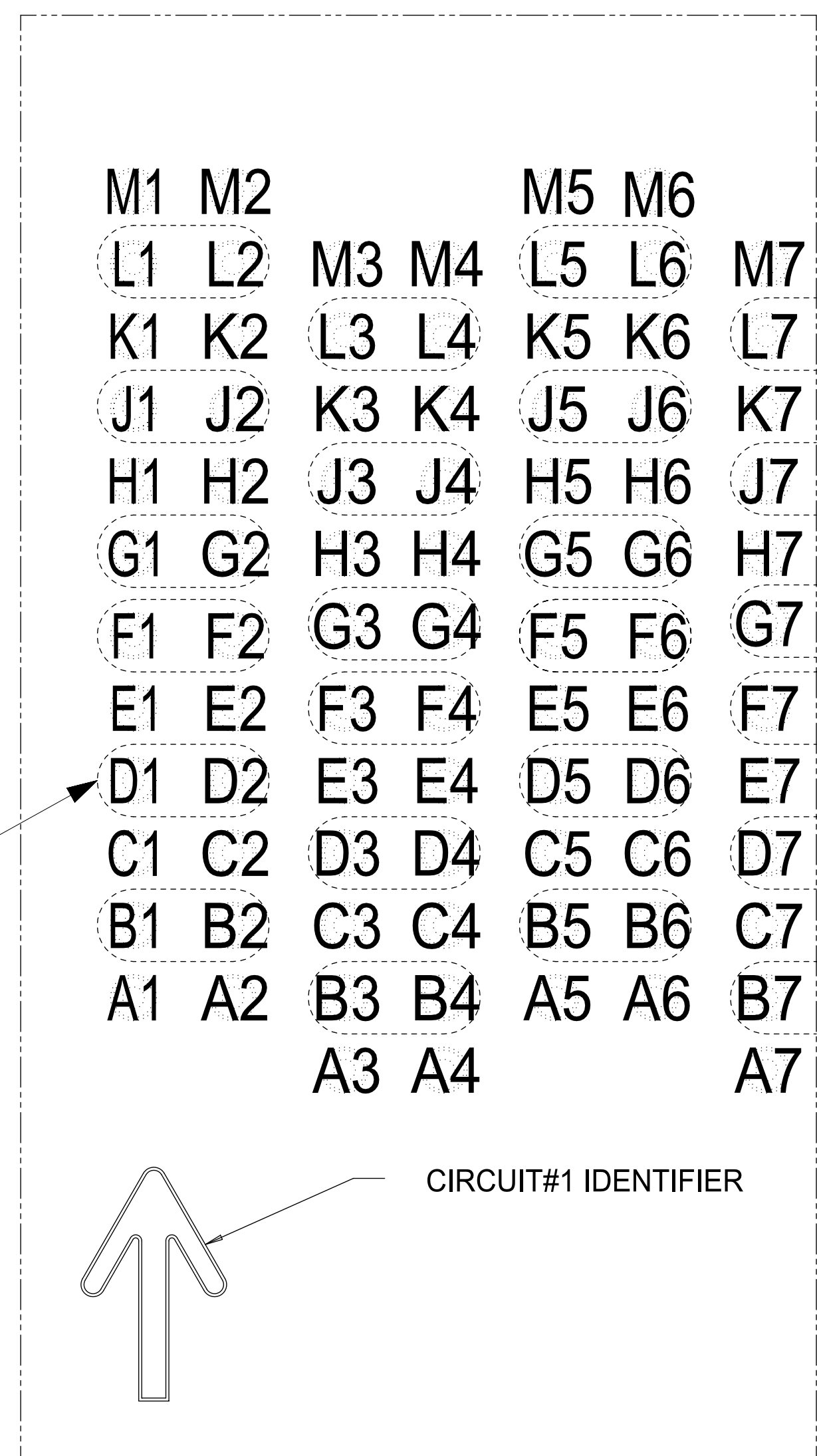
1. HOUSING MATERIAL: LCP, GLASS FILLED, UL 94V-0, BLACK
CONTACT MATERIAL: HIGH PERFORMANCE COPPER ALLOY
2. FINISH:
CONTACTS: SELECTIVE GOLD: 30 MICRO INCHES MINIMUM ON CONTACT AREA
SELECTIVE TIN ON COMPLIANT PIN OVER 50 MICRO INCHES MINIMUM NICKEL OVERALL
3. PRODUCT SPECIFICATION: PS-172801-0001
4. PACKAGING SPECIFICATION: PK-173358-0001
5. APPLICATION SPECIFICATION: AS-172801-0001
6. PARTS TO BE MARKED WITH THE PART NUMBER AND DATE CODE.
FORMAT IS 2 DIGIT YEAR, 3 DIGIT DAY, 1 DIGIT HOUR (IF NEEDED), AND ONE DIGIT ASSEMBLY LINE (IF NEEDED) BY MARKING THE HOUSING AS SHOWN.
7. THIS PART CONFORMS TO CLASS B REQUIREMENTS OF MOLEX COSMETIC SPEC. PS-45499-002



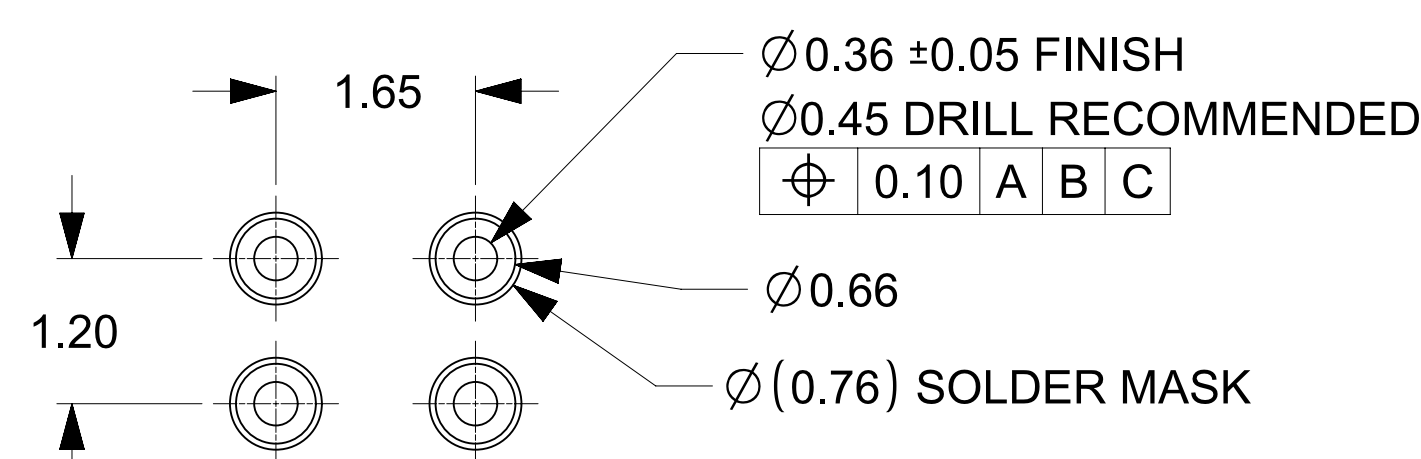
MATERIAL NUMBER	HEIGHT	NO. OF COLUMNS	DIM A	DIM B	DIM C	DIM D	DIM E	LOCATING PEG	TOOLED	MATES TO
1728010001	13.5	14	53.80	26.73	25.93	10.95	15.45	NO	YES	1728320001
1728010005	13.5	10	39.80	19.73	18.93	10.95	15.45	PRESENT	YES	1728320005
1728010006	21.5	10	39.80	19.73	18.93	18.95	23.45	PRESENT	YES	1728320005
1728010009	18.5	14	53.80	26.73	25.93	15.95	20.45	PRESENT	YES	1728320009
1728010013	18.5	16	60.80	30.23	29.43	15.95	20.45	PRESENT	YES	1728320013
1728010017	13.5	8	32.80	16.23	15.43	10.95	15.45	PRESENT	NO	1728320017
1728010018	21.5	12	46.80	23.23	22.43	18.95	23.45	PRESENT	NO	1728320018 & 1728320019
1728010021	21.5	20	74.80	37.23	36.43	18.95	23.45	PRESENT	NO	1728320024
1728010022	21.5	25	92.30	45.98	45.18	18.95	23.45	PRESENT	NO	1728320025
1728010035	18.5	16	60.80	30.23	29.43	15.95	20.45	PRESENT	YES	1728320034
1728010037	18.5	14	53.80	26.73	25.93	15.95	20.45	PRESENT	YES	1728320036

THIS DRAWING CONTAINS INFORMATION THAT IS PROPRIETARY TO MOLEX ELECTRONIC TECHNOLOGIES, LLC AND SHOULD NOT BE USED WITHOUT WRITTEN PERMISSION											
DIMENSION UNITS		SCALE		CURRENT REV DESC: RETRACTED P/N 1728010009 AS PER SALESFORCE 578243.							
mm		5:1		<div style="text-align: center; font-size: 2em; font-weight: bold;">molex</div> <p>NEOPRESS 6 ROW PLUG ASSY, 100 OHMS 100 OHM</p> <p>PRODUCT SALES DRAWING</p>							
GENERAL TOLERANCES (UNLESS SPECIFIED)											
ANGULAR TOL ± 0.5°											
4 PLACES ±											
3 PLACES ±											
2 PLACES ± 0.150											
1 PLACE ±				STATUS: Production		2023-07-07		DOCUMENT NUMBER		DOC TYPE DOC PART REVISION	
0 PLACES ±				DRWN: Santhosh NV		2023-08-04		1728010002		PSD 000 D2	
DRAFT WHERE APPLICABLE MUST REMAIN WITHIN DIMENSIONS				THIRD ANGLE PROJECTION		DRAWING		SERIES		MATERIAL NUMBER	
				E-SIZE		172801		GENERAL MARKET		CUSTOMER	
								SEE TABLE		SHEET NUMBER	
								GENERAL MARKET		1 OF 2	

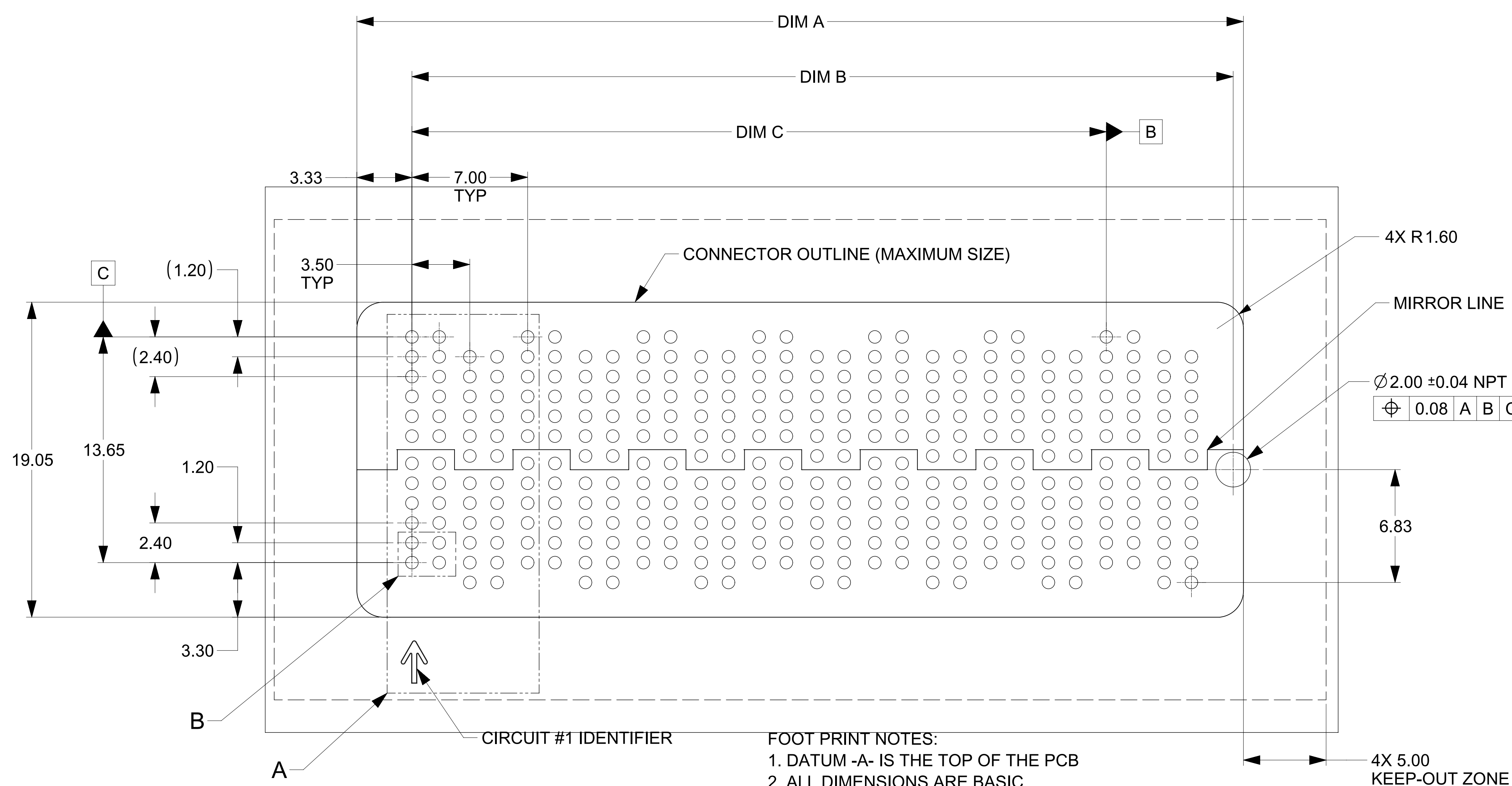
CIRCLED VIAS ARE CONNECTED TO THE SAME SHIELD TERMINAL. ALSO, ALL SHIELD VIAS ARE ELECTRICALLY INTERCONNECTED INSIDE THE CONNECTOR. (SEE CHART FOR EXCEPTIONS FOR POWER TERMINALS*. THE LOW SPEED TRIADS SHIELD TERMINALS MUST BE USED FOR GROUNDS ONLY AND MAY BE CONNECTED TO OTHER SHIELDS IN THIS CONNECTOR EXCEPT THE ELECTRICALLY ISOLATED SHIELDS).



DETAIL A
SCALE 12:1
NUMBERING SCHEME



DETAIL B
SCALE 16:1



FOOT PRINT 6X14 SHOWN

MATERIAL NUMBER	NO. OF COLUMNS	DIM A	DIM B	DIM C	ELECTRICALLY ISOLATED SHIELDS *	LOW SPEED TRIADS *
1728010001	14	53.80	49.68	42.00	COLUMN 14: B27,B28,D27,D28,F27,F28,G27,G28,J27,J28,L27,L28	COLUMN 13: B25,B26,D25,D26,F25,F26,G25,G26,J25,J26,L25,L26
1728010005	10	39.80	35.68	28.00	N/A	N/A
1728010006	10	39.80	35.68	28.00	N/A	N/A
1728010009	14	53.80	49.68	42.00	COLUMN 14: B27,B28,D27,D28,F27,F28,G27,G28,J27,J28,L27,L28	COLUMN 13: B25,B26,D25,D26,F25,F26,G25,G26,J25,J26,L25,L26
1728010013	16	60.80	56.68	49.00	N/A	N/A
1728010017	8	32.80	28.68	21.00	N/A	N/A
1728010018	12	46.80	42.68	35.00	N/A	N/A
1728010021	20	74.80	70.68	63.00	COLUMN 19: B37,B38,D37,D38,F37,F38,G37,G38,J37,J38,L37,L38 COLUMN 20: B39,B40,D39,D40,F39,F40,G39,G40,J39,J40,L39,L40	COLUMN 18: B35,B36,D35,D36,F35,F36,G35,G36,J35,J36,L35,L36
1728010022	25	92.30	88.18	80.50	N/A	N/A
1728010035	16	60.80	56.68	49.00	COLUMN 15: B29,B30,D29,D30,F29,F30,G29,G30,J29,J30,L29,L30 COLUMN 16: B31,B32,D31,D32,F31,F32,G31,G32,J31,J32,L31,L32	COLUMN 14: B27,B28,D27,D28,F27,F28,G27,G28,J27,J28,L27,L28
1728010037	14	53.80	49.68	42.00	COLUMN 12: B23,B24,D23,D24,F23,F24,G23,G24,J23,J24,L23,L24 COLUMN 13: B25,B26,D25,D26,F25,F26,G25,G26,J25,J26,L25,L26 COLUMN 14: B27,B28,D27,D28,F27,F28,G27,G28,J27,J28,L27,L28	COLUMN 11: B21,B22,D21,D22,F21,F22,G21,G22,J21,J22,L21,L22

THIS DRAWING CONTAINS INFORMATION THAT IS PROPRIETARY TO MOLEX ELECTRONIC TECHNOLOGIES, LLC AND SHOULD NOT BE USED WITHOUT WRITTEN PERMISSION			
DIMENSION UNITS mm	SCALE 1:1	CURRENT REV DESC: RETRACTED P/N 1728010009 AS PER SALESFORCE 578243.	
GENERAL TOLERANCES (UNLESS SPECIFIED)		<p>NEOPRESS 6 ROW PLUG ASSY, 100 OHMS 100 OHM</p> <p>PRODUCT SALES DRAWING</p>	
ANGULAR TOL	± 0.5°		
4 PLACES	±		
3 PLACES	±		
2 PLACES	± 0.150		
1 PLACE	±	STATUS: Production	2023-07-07
0 PLACES	±	DRWN: Santhosh NV	2023-08-04
DRAFT WHERE APPLICABLE MUST REMAIN WITHIN DIMENSIONS		CHK'D: Ganesh Rao B	2023-08-04
THIRD ANGLE PROJECTION		APPR: Gurunandan GA	
DRAWING		SERIES	DOCUMENT NUMBER
E-SIZE		172801	1728010002
MATERIAL NUMBER		CUSTOMER	DOC TYPE DOC PART REVISION
SEE TABLE		GENERAL MARKET	PSD 000 D2
SHEET NUMBER		2 OF 2	