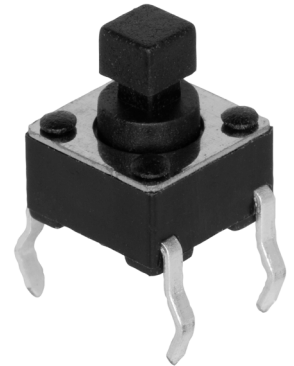


SERIES: TS01 | **DESCRIPTION:** TACTILE SWITCH**FEATURES**

- through hole
- 7.3 mm actuator
- black actuator

**SPECIFICATIONS**

| parameter | conditions/description | min | typ | max | units |
|-----------------------|---|------|-----------------------------|------|----------------------------|
| rated voltage | | 1 | | 12 | Vdc |
| rated current | | 0.01 | | 50 | mA |
| withstanding voltage | for 1 minute | | 250 | | Vac |
| contact resistance | applying load of 2 times operating force at 5 Vdc, 10 mA | | | 100 | mΩ |
| insulation resistance | at 100 Vdc for 1 minute | 100 | | | MΩ |
| operating force | see force table | | | | |
| actuator travel | | 0.15 | 0.25 | 0.35 | mm |
| operating temperature | | -30 | | 80 | °C |
| storage temperature | | -40 | | 90 | °C |
| life | rated load, 2 cycles/second, 1.5 times operating force 100 gf models 160 gf models 260 gf models | | 100,000 80,000 60,000 | | cycles cycles cycles |
| vibration | 10-55~10 Hz, 1.5 mm amplitude, 2 hours on each XYZ | | | | |
| flammability rating | see material table | | | | |
| RoHS | yes | | | | |

SOLDERABILITY

| parameter | conditions/description | min | typ | max | units |
|----------------|------------------------|-----|-----|-----|-------|
| hand soldering | for maximum 3 seconds | | | 350 | °C |
| wave soldering | for maximum 5 seconds | | | 260 | °C |

PART NUMBER KEY

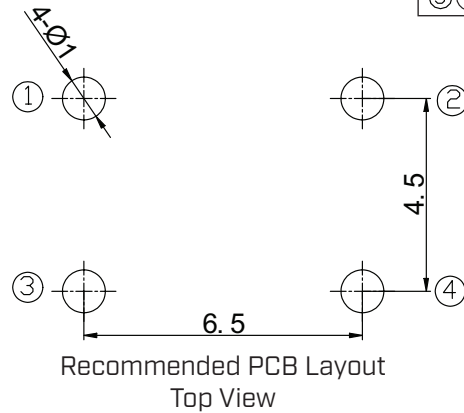
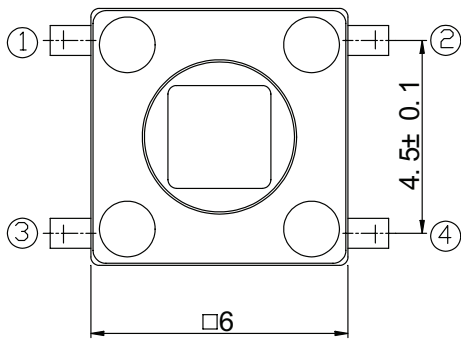
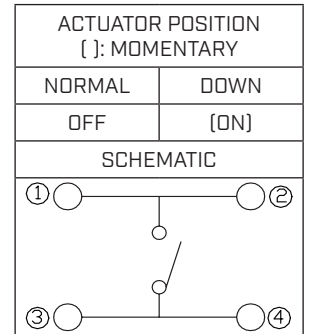
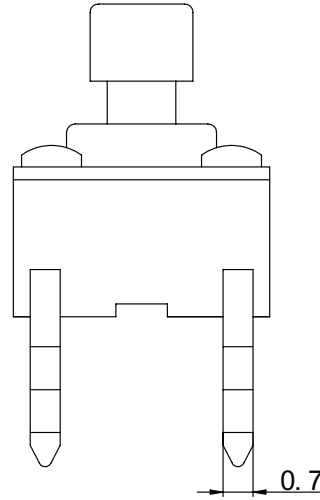
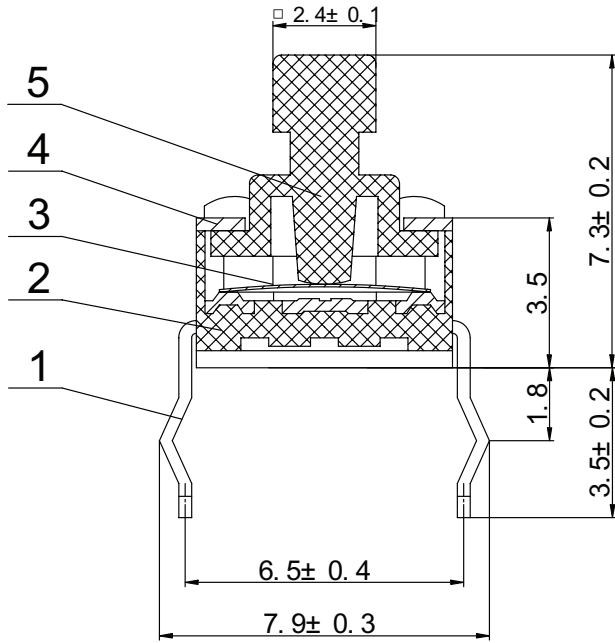
TS01 - 66 - XX - BK - XXX - D

Base Number Actuator Height:
73 = 7.3 mm Push Force:
100 = 100 gf
160 = 160 gf
260 = 260 gf

MECHANICAL DRAWING

units: mm
 tolerance: ± 0.2 mm
 unless otherwise noted

| ITEM | DESCRIPTION | MATERIAL | PLATING/COLOR |
|------|-------------|-----------------|---------------|
| 1 | terminals | brass | silver |
| 2 | housing | PA66 [UL94HB] | black |
| 3 | contacts | phosphor bronze | silver |
| 4 | cover | stainless steel | |
| 5 | stem | PA66 [UL94HB] | black |

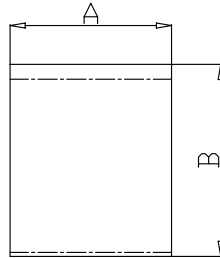


| Operating Force Table | | |
|-----------------------|-----------------|------------------|
| Model | Press Force [N] | Return Force [N] |
| 100 | 1.0 \pm 0.3 | >0.2 |
| 160 | 1.6 \pm 0.5 | >0.2 |
| 260 | 2.6 \pm 0.5 | >0.2 |

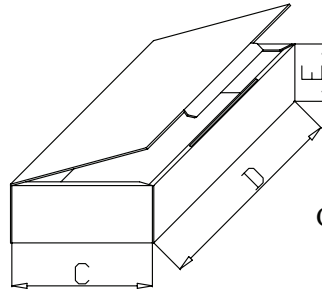
PACKAGING

units: mm

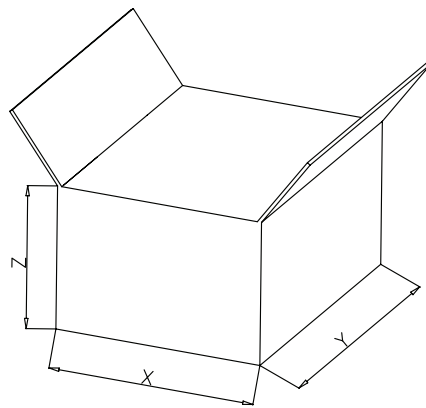
Bag Size: 190 x 160 mm
Carton Box Size: 445 x 350 x 280 mm
Bag QTY: 1,000 pcs per box
Carton Box QTY: 60,000 pcs per bag



A=160mm、B=190mm



C=160mm、D=216mm、E=48mm



X=350mm、Y=455、Z=280mm

REVISION HISTORY

| rev. | description | date |
|------|------------------------------|------------|
| 1.0 | initial release | 09/20/2021 |
| 1.01 | logo, datasheet style update | 08/05/2022 |

The revision history provided is for informational purposes only and is believed to be accurate.



CUI Devices offers a one (1) year limited warranty. Complete warranty information is listed on our website.

CUI Devices reserves the right to make changes to the product at any time without notice. Information provided by CUI Devices is believed to be accurate and reliable. However, no responsibility is assumed by CUI Devices for its use, nor for any infringements of patents or other rights of third parties which may result from its use.

CUI Devices products are not authorized or warranted for use as critical components in equipment that requires an extremely high level of reliability. A critical component is any component of a life support device or system whose failure to perform can be reasonably expected to cause the failure of the life support device or system, or to affect its safety or effectiveness.

cuidevices.com