



Mini-SAS

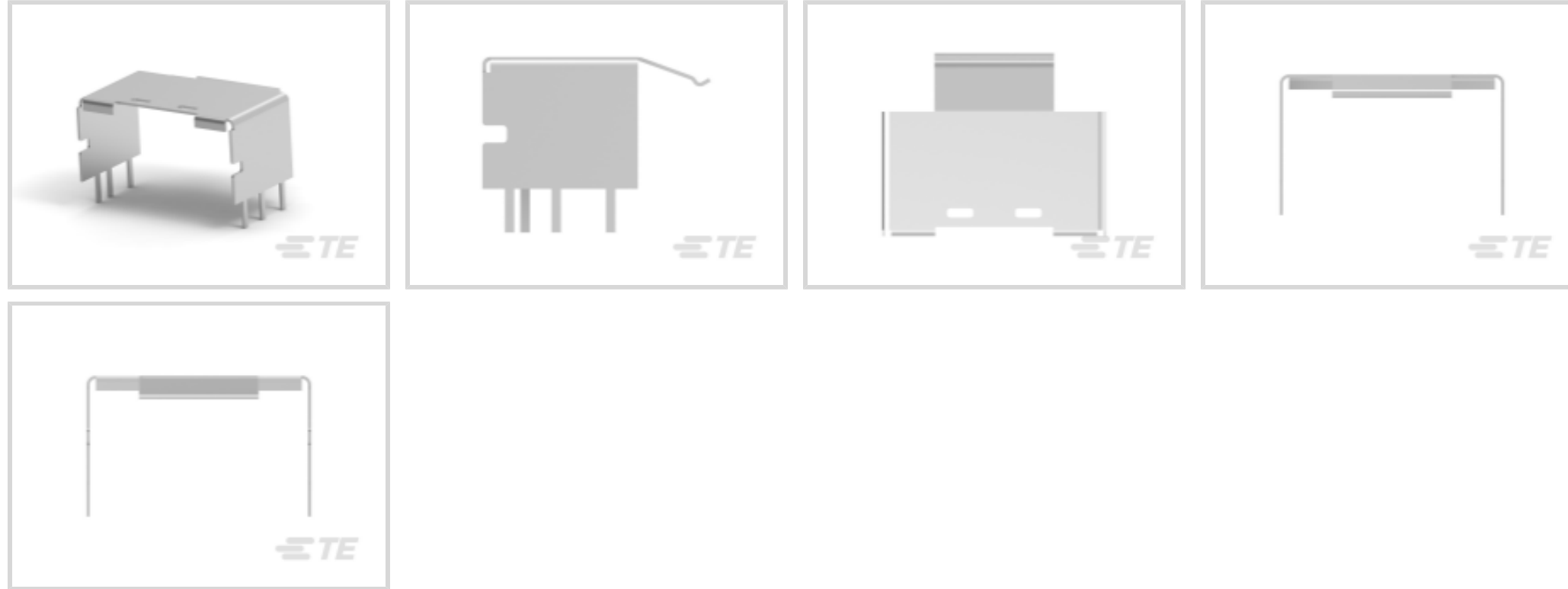
TE Internal #: 1-1888021-2

Mini-SAS, Through Hole - Solder, Shell, Board Mount, -55 – 105 °C

[-67 – 221 °F], Mini-SAS

[View on TE.com >](#)

Connectors > PCB Connectors > SAS & MiniSAS > Mini-SAS Shielded Receptacle:Right Angle



SAS Connector Type: **Mini-SAS**

Termination Method to PCB: **Through Hole - Solder**

SAS Connector Accessory Type: **Shell**

Contact Current Rating (Max): **.5 A**

Connector Mounting Type: **Board Mount**

[All Mini-SAS Shielded Receptacle:Right Angle \(3\)](#)

Features

Product Type Features

Connector & Contact Terminates To	Printed Circuit Board
SAS Connector Type	Mini-SAS
SAS Connector Accessory Type	Shell

Configuration Features

Keying Type	2
-------------	---

Contact Features

Contact Current Rating (Max)	.5 A
------------------------------	------

Termination Features

Termination Post & Tail Length	2.8 mm[.11 in]
Termination Method to PCB	Through Hole - Solder

Mechanical Attachment

PCB Mount Retention	Without
Connector Mounting Type	Board Mount



Usage Conditions

Operating Temperature Range	-55 – 105 °C [-67 – 221 °F]
-----------------------------	-----------------------------

Packaging Features

Packaging Quantity	150
Packaging Method	Box & Tray, Package

Product Compliance

[For compliance documentation, visit the product page on TE.com>](#)

EU RoHS Directive 2011/65/EU	Compliant
EU ELV Directive 2000/53/EC	Compliant
China RoHS 2 Directive MIIT Order No 32, 2016	No Restricted Materials Above Threshold
EU REACH Regulation (EC) No. 1907/2006	Current ECHA Candidate List: JUNE 2024 (241) Candidate List Declared Against: JUNE 2024 (241) Does not contain REACH SVHC
Halogen Content	Low Halogen - Br, Cl, F, I < 900 ppm per homogenous material. Also BFR/CFR/PVC Free
Solder Process Capability	Not applicable for solder process capability

Product Compliance Disclaimer

This information is provided based on reasonable inquiry of our suppliers and represents our current actual knowledge based on the information they provided. This information is subject to change. The part numbers that TE has identified as EU RoHS compliant have a maximum concentration of 0.1% by weight in homogenous materials for lead, hexavalent chromium, mercury, PBB, PBDE, DBP, BBP, DEHP, DIBP, and 0.01% for cadmium, or qualify for an exemption to these limits as defined in the Annexes of Directive 2011/65/EU (RoHS2). Finished electrical and electronic equipment products will be CE marked as required by Directive 2011/65/EU. Components may not be CE marked. Additionally, the part numbers that TE has identified as EU ELV compliant have a maximum concentration of 0.1% by weight in homogenous materials for lead, hexavalent chromium, and mercury, and 0.01% for cadmium, or qualify for an exemption to these limits as defined in the Annexes of Directive 2000/53/EC (ELV). Regarding the REACH Regulation, the information TE provides on SVHC in articles for this part number is based on the latest European Chemicals Agency (ECHA) 'Guidance on requirements for substances in articles' posted at this URL: <https://echa.europa.eu/guidance-documents/guidance-on-reach>

Compatible Parts



TE Part # 1888863-4
Shld Vert Rec Conn Assm36PosSF

Also in the Series | Mini-SAS



SAS & MiniSAS(30)

Customers Also Bought



TE Part #DT04-2P
REC, 2P, GRY, N



TE Part #DT06-2S
PLG, 2P, GRY, N



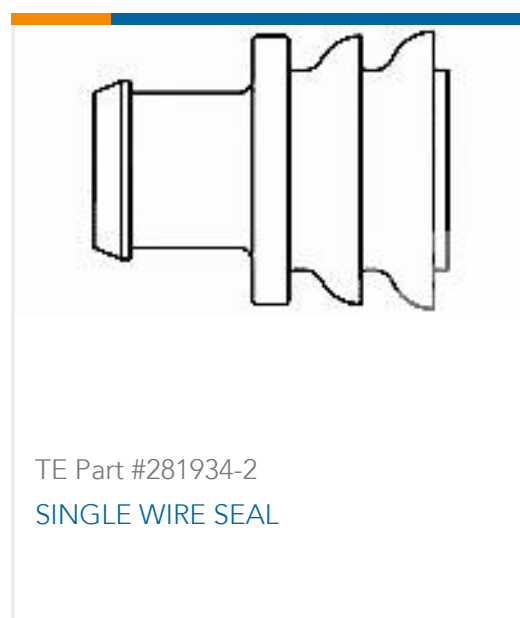
TE Part #W2S
Wedgelocks: DEUTSCH DT



TE Part #0460-202-16141
DEUTSCH Solid Contacts



TE Part #282104-1
AMP SUPERSEAL 1.5MM,
CONNECTOR HOUSING



TE Part #281934-2
SINGLE WIRE SEAL



TE Part #114017-ZZ
SEALING PLUG, SIZE 12/16, WHT

Documents

Product Drawings

[shield recpt ra 36pos press fit sff](#)

English

CAD Files

[3D PDF](#)

[3D](#)



Customer View Model

[ENG_CVM_CVM_1-1888021-2_A.2d_dxf.zip](#)

English

Customer View Model

[ENG_CVM_CVM_1-1888021-2_A.3d_igs.zip](#)

English

Customer View Model

[ENG_CVM_CVM_1-1888021-2_A.3d_stp.zip](#)

English

By downloading the CAD file I accept and agree to the [Terms and Conditions](#) of use.

Datasheets & Catalog Pages

[EVERCLEAR Mini Multi-Lane High Speed Interconnects Datasheet 1773447-2](#)

English

Product Specifications

[Product Specification](#)

English