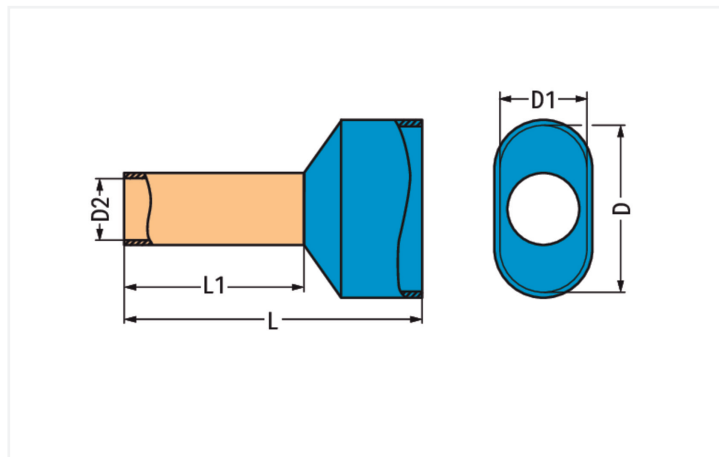


Data Sheet | Item Number: 216-542

Twin ferrule; Sleeve for 2 x 1 mm² / AWG 2 x 18; red, insulated; 12 mm long; red

<https://www.wago.com/216-542>



Color: ■ red

Technical data

| | |
|----------------------------|-------------------|
| Sleeve cross-section (AWG) | 18 AWG |
| Sleeve for | 1 mm ² |

Connection data

| | |
|-------------------------|----------------------------|
| Strip length | 12 mm / 0.47 inches |
| Fine-stranded conductor | 1 mm ² / 18 AWG |

Physical data

| | |
|---------------------------------|--------|
| Length | 19 mm |
| Crimp length (length of sleeve) | 12 mm |
| Diameter | 5.8 mm |
| Inner Diameter plastic collar | 3.2 mm |
| Diameter crimp sleeve inside | 2 mm |

Material data

| | |
|-----------|-------|
| Color | red |
| Fire load | 0 MJ |
| Weight | 0.2 g |

Commercial data

| | |
|-----------------------|--------------------------------|
| Product Group | 2 (Terminal Block Accessories) |
| eCl@ss 10.0 | 27-40-02-01 |
| eCl@ss 9.0 | 27-40-02-01 |
| ETIM 8.0 | EC000005 |
| ETIM 7.0 | EC000005 |
| PU (SPU) | 500 pcs |
| Packaging type | Box |
| Country of origin | DE |
| GTIN | 4045454331542 |
| Customs tariff number | 8536901000 |

Environmental Product Compliance

| | |
|------------------------|-------------------------|
| RoHS Compliance Status | Compliant, No Exemption |
|------------------------|-------------------------|

Downloads

Environmental Product Compliance

| | |
|--|-------------------|
| Compliance Search | |
| Environmental Product Compliance 216-542 | ↓ |

Documentation

| Bid Text | | | |
|----------|------------|-----------------|-------------------|
| 216-542 | 19.02.2019 | xml 2.57 KB | ↓ |
| 216-542 | 04.01.2018 | doc 22.00 KB | ↓ |

Installation Notes



A perfect gas-tight crimp – both electrical-ly and mechanically reliable